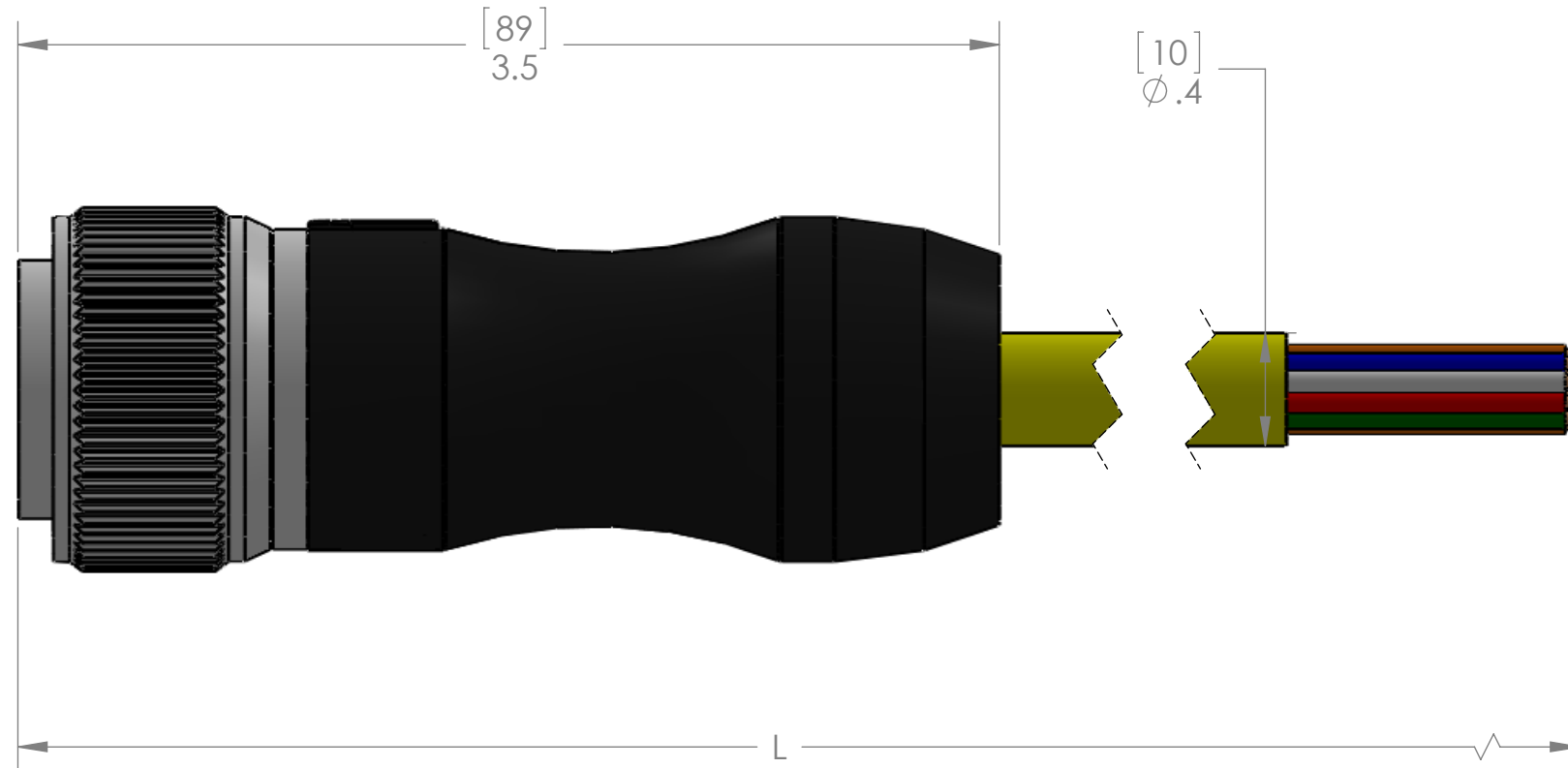
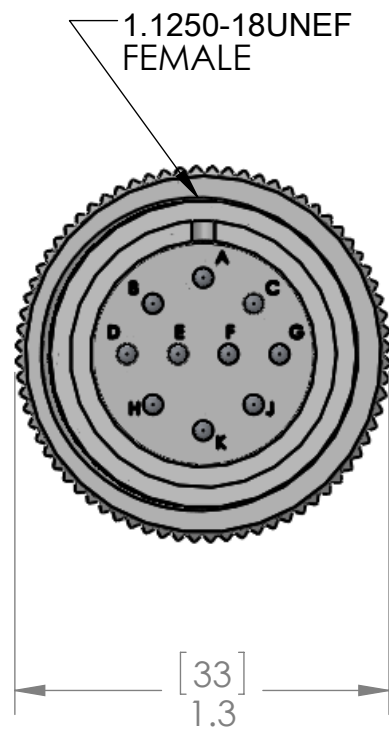


PIN #	COLOR
A	ORANGE
B	BLUE
C	WHITE/BLACK
D	RED/BLACK
E	GREEN/BLACK
F	ORANGE/BLACK
G	RED
H	GREEN/YELLOW
J	BLACK
K	WHITE

REVISIONS			
REV.	DESCRIPTION	DATE	APPROVED
X	PRELIMINARY	1/13/2016	



P/N	L
MS18-10BMPX-1M	40" [1m]
MS18-10BMPX-2M	79" [2m]
MS18-10BMPX-3M	117" [3m]
MS18-10BMPX-4M	157" [4m]
MS18-10BMPX-5M	197" [5m]
MS18-10BMPX-6M	236" [6m]
MS18-10BMPX-8M	315" [8m]
MS18-10BMPX-10M	393" [10m]
MS18-10BMPX-15M	590" [15m]

MATERIALS	
SHELLS:	NICKEL PLATED ALUMINUM
CONTACTS:	SILVER PLATED COPPER ALLOY
OVERMOLD:	BLACK PVC
CABLE:	18/10 AWM YELLOW PVC
GASKET:	TPE

PROPRIETARY AND CONFIDENTIAL
 THE INFORMATION CONTAINED IN THIS DRAWING IS THE SOLE PROPERTY OF MENCOM CORPORATION. ANY REPRODUCTION IN PART OR AS A WHOLE WITHOUT THE WRITTEN PERMISSION OF MENCOM CORPORATION IS PROHIBITED.

VOLTS	300V
AMPS	TBD
TEMP	105C

SPECIFICATIONS DO NOT SCALE DRAWING

UNLESS OTHERWISE SPECIFIED:		NAME
DIMENSIONS ARE IN INCHES AND [MM]		JJH
DRAWN		
CHECKED		
ENG APPR.		
MFG APPR.		
Q.A.		
COMMENTS:		
MATERIAL		
FINISH		

MENCOM CORPORATION		
TITLE: 10 PL MAL MS18 PLG 18AWG -B		
SIZE B	DWG. NO. MS18-10BMPX-ZZ	REV X
SCALE: 1.5:1	WEIGHT:	SHEET 1 OF 1