

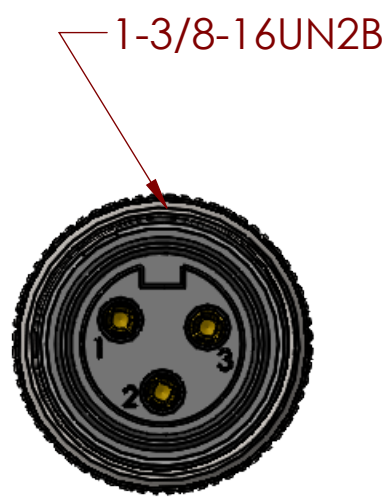
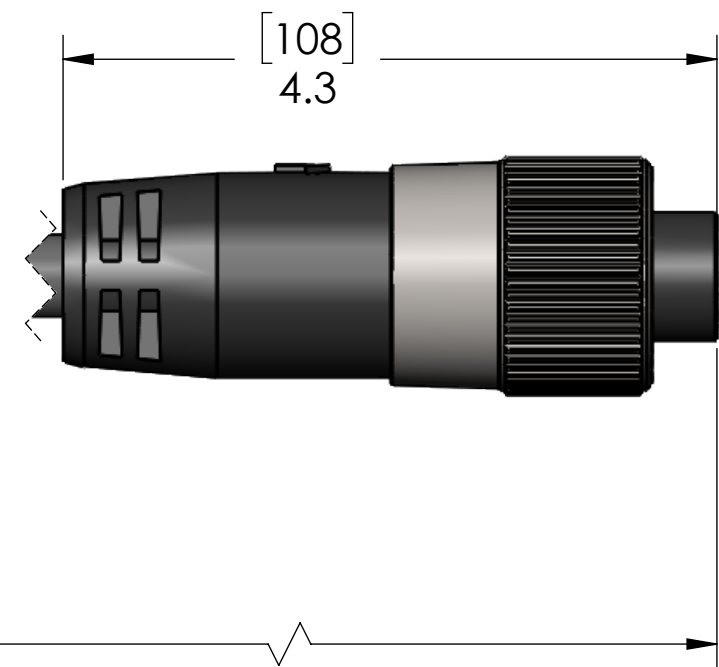
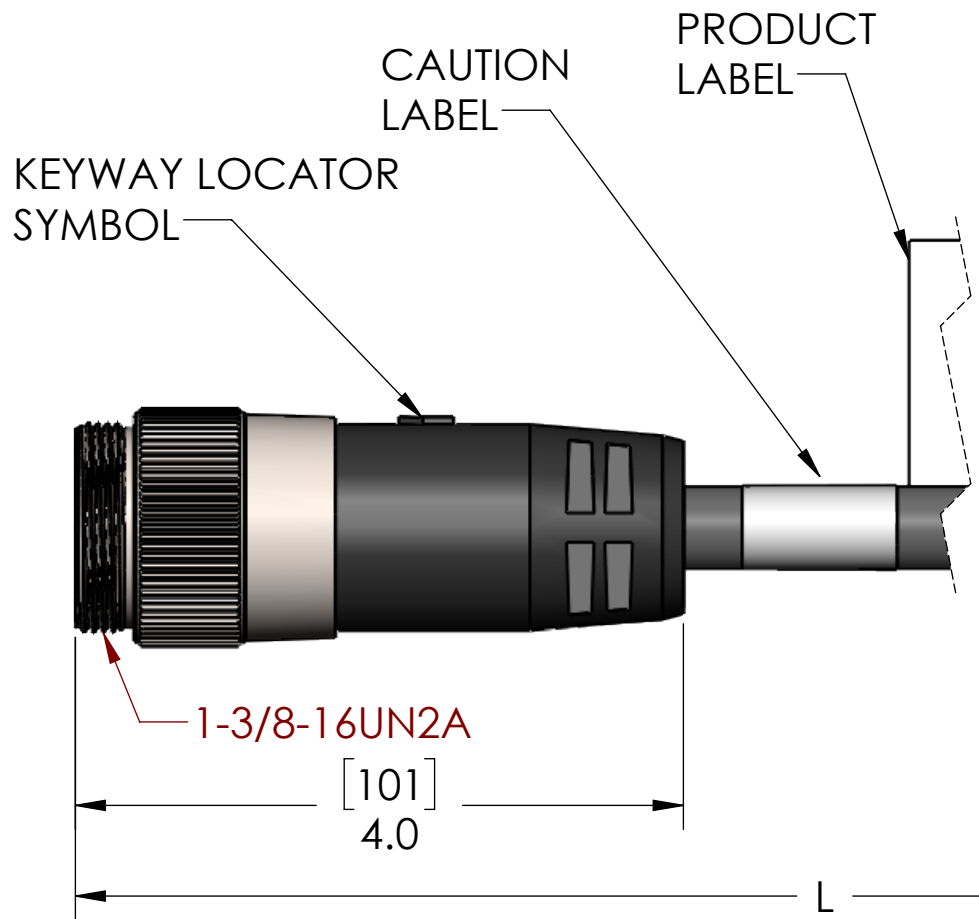
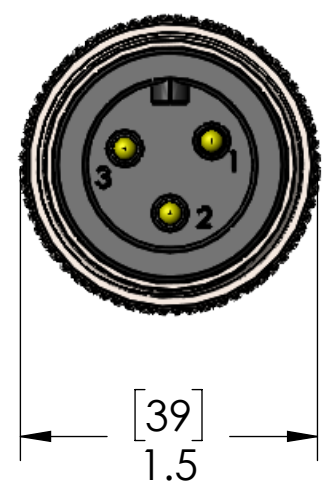
WIRING		
1	---	1
2	---	2
3	---	3

D

C

B

A



D

C

B

A

MATERIALS	
BODY:	BLACK PVC
INSERT:	BLACK PVC
CONTACTS:	GOLD PLATED COPPER ALLOY
CABLE:	14/3 STOOV GRAY PVC
COUPLING:	NICKEL PLATED BRASS

RATINGS:	
SCCR RATING:	65kA Breakers and Fuses
RoHS COMPLIANT:	Yes
PROTECTION:	IP67
UL CATEGORY:	PVVA (US), PVVA7 (Canada)
U.S.	UL 2237 LISTED, File E469485
CANADA	C-UL 2237 LISTED, File E469485

CAUTION:
RISK OF ELECTRICAL SHOCK
DO NOT DISCONNECT UNDER LOAD

PROPRIETARY AND CONFIDENTIAL
 THE INFORMATION CONTAINED IN THIS DRAWING IS THE SOLE PROPERTY OF MENCOM CORPORATION. ANY REPRODUCTION IN PART OR AS A WHOLE WITHOUT THE WRITTEN PERMISSION OF MENCOM CORPORATION IS PROHIBITED.

VOLTS	600V
AMPS	24A
TEMP:	-40° to 90°C

UNLESS OTHERWISE SPECIFIED:	DRAWN BY	ADM
DIMENSIONS ARE IN INCHES AND [MM]	DRAWN DATE	06/23/2020
	CHECKED BY	GO
	CHECK DATE	06/23/2020
MATERIAL	COMMENTS:	
FINISH		
DO NOT SCALE DRAWING		

P/N	L	STD?
PMIN-34MFP-1M	40" [1m]	YES
PMIN-34MFP-2M	79" [2m]	YES
PMIN-34MFP-3M	117" [3m]	NO
PMIN-34MFP-4M	157" [4m]	YES
PMIN-34MFP-5M	197" [5m]	YES
PMIN-34MFP-6M	236" [6m]	NO
PMIN-34MFP-8M	315" [8m]	NO
PMIN-34MFP-10M	393" [10m]	YES
PMIN-34MFP-15M	590" [15m]	YES

PARTS LISTED AS NOT BEING STANDARD MAY REQUIRE MINIMUM ORDERS

MENCOM CORPORATION		
TITLE: 3 PL M-F EXT PLG PMIN 14AWG		
SIZE	DWG. NO.	REV
B	PMIN-34MFP-ZZ	B
SCALE: 1:1	WEIGHT:	SHEET 1 OF 1

8

7

6

5

4

3

2

1