



► Model PMC



Panel Mount Multifunctional LED Combination Audible/Visual Signal

Model PMC was developed with a multichannel technology. The device allows three levels of alarm (alert, pre-alarm and alarm) controllable via independent electric contacts.

PMC offers three independent electrical channels. Channel 1 includes a flashing light only. Channel 2 adds an intermittent sound to the flashing light. Channel 3 includes a steady light combined with a continuous sound.

PMC has a self-extinguishing PC body that protects against vibrations, dust and atmospheric elements. The device can be panel mounted through a 1.18" hole and secured with the provided locking ring.

FEATURES

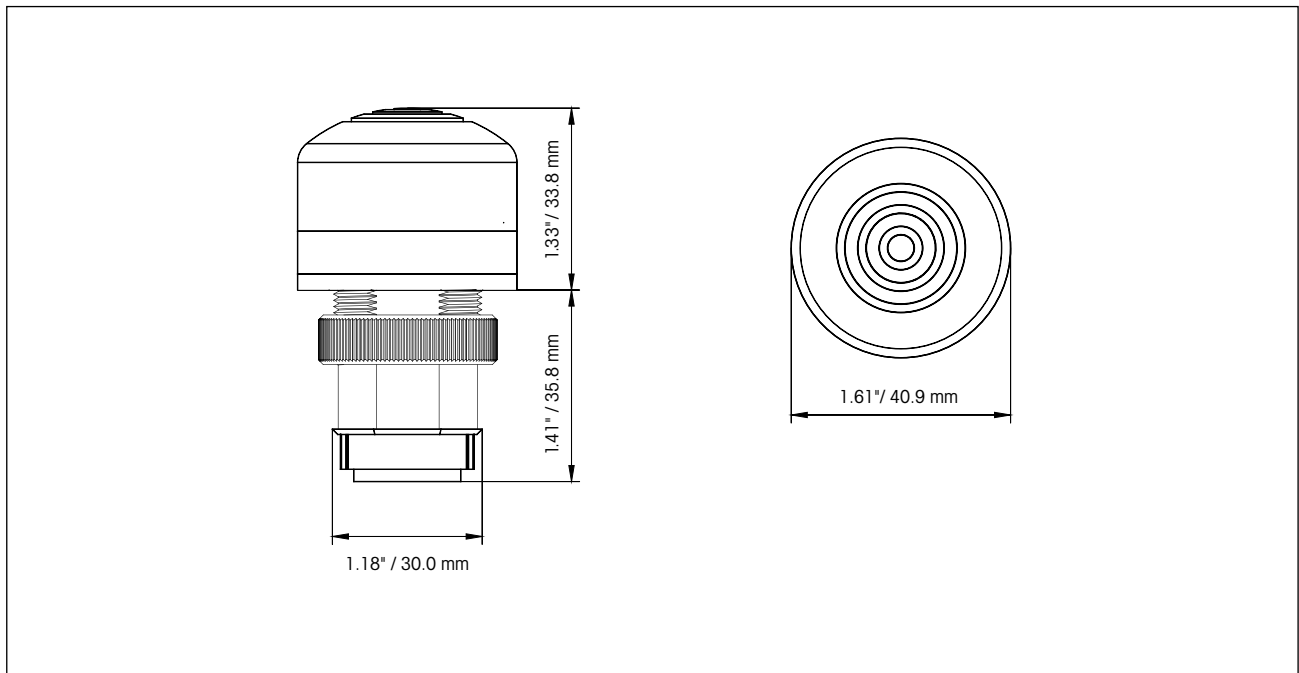
- Available in 12-24VAC/DC or 48-240VAC
- 3 channels included:
 - 1: flashing light
 - 2: flashing light & intermittent sound
 - 3: steady light & continuous sound
- 50,000 hour LED
- Transparent polycarbonate lens
- Type 3R, IP65 enclosure
- IP69K compliant
- CE and UKCA compliant
- UL and cUL listed

MODEL	VOLTAGE	FLASH RATE/MINUTE (FLASH MODE)	DECIBELS MAXIMUM	
			10'	1 M
PMC-012-024 *	12-24VAC/DC	150 (+/-10)	75	85
PMC-048-240 *	48-240VAC	150 (+/-10)	75	85

* Indicates color: (A) Amber, (B) Blue, (C) Clear, (G) Green, (R) Red or (Y) Yellow

MAXIMUM OPERATING CURRENT (mA)					
12VDC	24VDC	12VAC	24VAC	48VAC	240VAC
25	30	80	110	30	20

Panel Mount Multifunctional LED Combination Audible/Visual Signal (PMC)



SPECIFICATIONS

Lamp Life:	50,000 Hours	
Light Source:	LED	
Operating Temperature:	-22°F to 140°F	-30°C to 60°C
Net Weight	1.44 oz	0.04 kg
Shipping Weight:	5.44 oz	0.15 kg
Height:	2.74"	69.6 mm
Height – above surface:	1.33"	33.8 mm
Diameter:	1.61"	40.9 mm

HOW TO ORDER

