

## Mighty-Seal® EMT to DUPLEX JMC/TECK Transition Coupling, 3/4"

Bridgeport's 5195-DC makes it easy to transition between EMT Conduit and multiple JMC/TECK cables in wet locations.

Recommended Cable Sizes include:

12/2 to 10/3 JMC

12/2 to 14/4 Teck

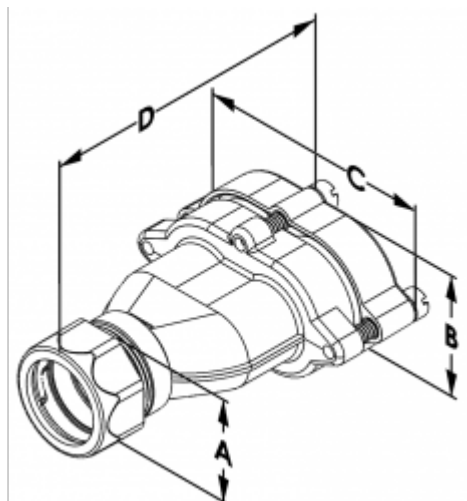
Over Armor Diameter: .48" to .64"

Over Jacket Diameter: .58" to .72"

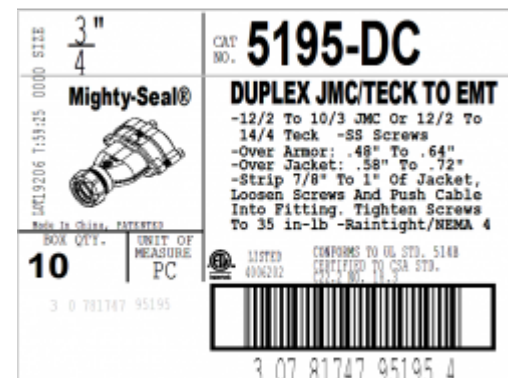
Patented – US Patent #10,059,659



[Download Photo](#)



[Download Drawing](#)



[Download Drawing](#)

### Product details

Catalog Number:	5195-DC
UPC Number:	78174795195
Primary Materials:	Zinc Die Cast
Trade Size:	3/4"
Unit Quantity:	10
Standard Package Quantity:	40

### Dimensions

Trade Size:	3/4"
Dimensions A:	1.25
Dimensions B:	1.477
Dimensions C:	2.867
Dimensions D:	3.608

## Certifications & Codes

**Federal Specification Number:** A-A-50552

**UL File Number:** ETL Listing

**UNSPSC:** 39121419

**Nema Standard:** FB-1

**UL Standard:** UL-514B

**Patent Number:** US Patent #10,059,659