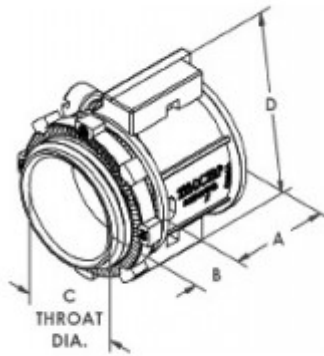


Mighty-Align® DC2SLP Series Slip 3/4" EMT Connectors

Mighty-Align® DC2SLP Series Slip 3/4" EMT Connectors. No more wasting time with short conduit cuts. Simply measure between the fittings end. Perfect for tight conduit installations.



[Download Photo](#)

[Download Drawing](#)

[Download Drawing](#)

Product details

Catalog Number:	231-DC2SLP
UPC Number:	78174707231
Primary Materials:	Zinc Die Cast
Trade Size:	3/4"
Unit Quantity:	25
Standard Package Quantity:	250

Dimensions

Trade Size:	3/4"
Dimensions A:	0.936
Dimensions B:	0.470
Dimensions C:	0.811
Dimensions D:	1.640

Certifications & Codes

Federal Specification Number: A-A-50553

UL File Number: E24001

UNSPSC: 39121434

Nema Standard: FB-1

UL Standard: UL-514B

Patent Number: D782,621 ; D754, 303