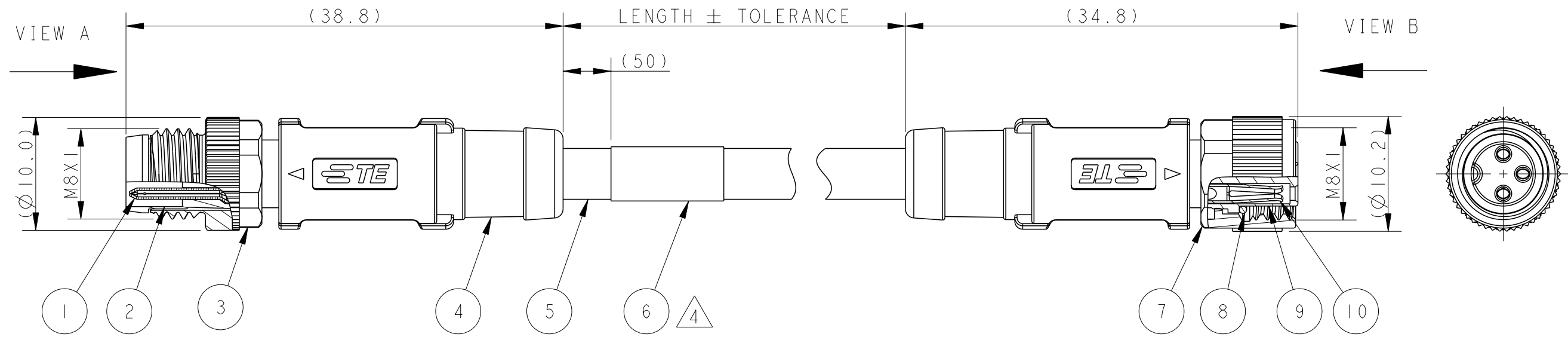


THIS DRAWING IS UNPUBLISHED. 2021 TE Connectivity. All Rights Reserved. RELEASED FOR PUBLICATION ALL RIGHTS RESERVED. COPYRIGHT

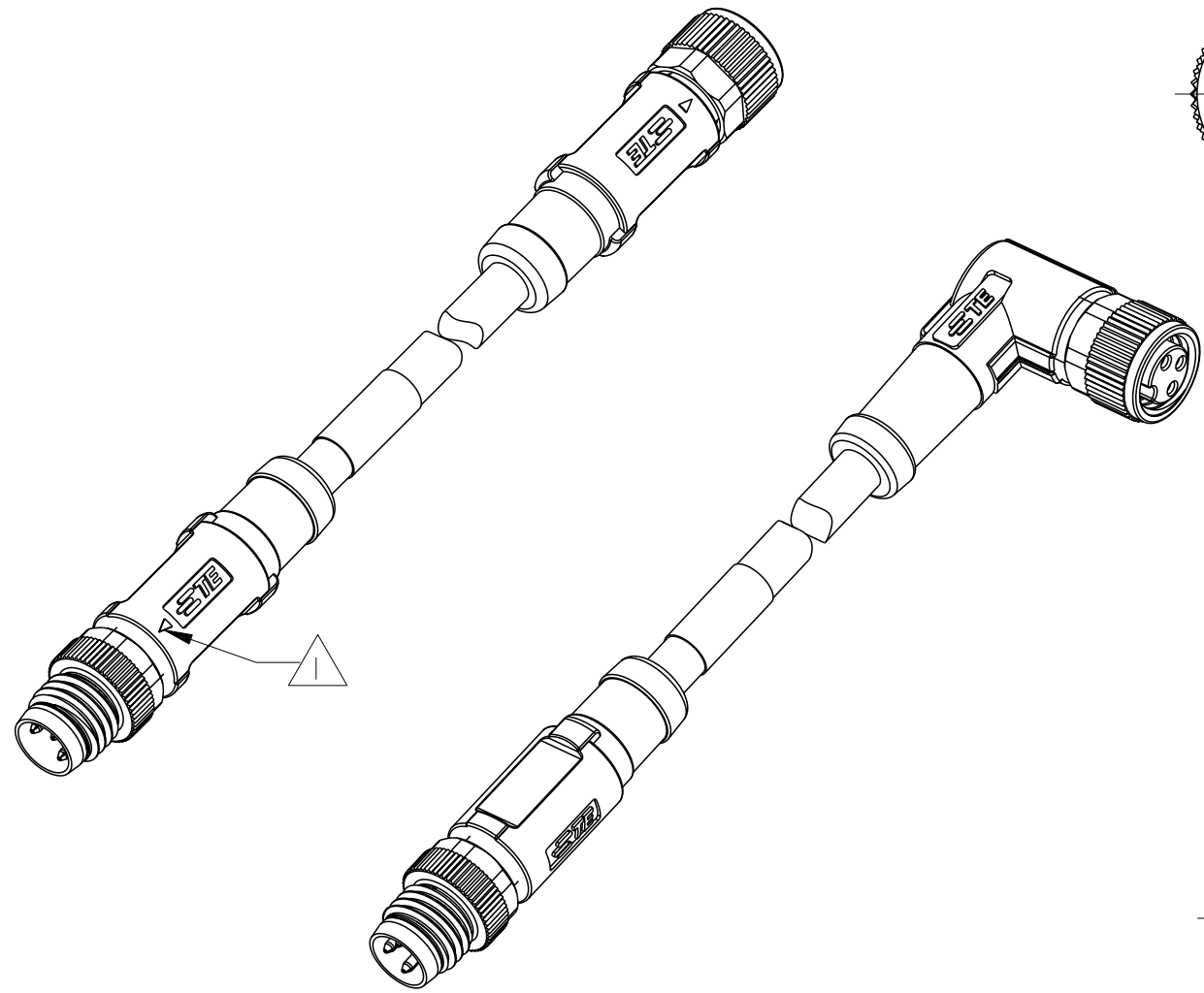
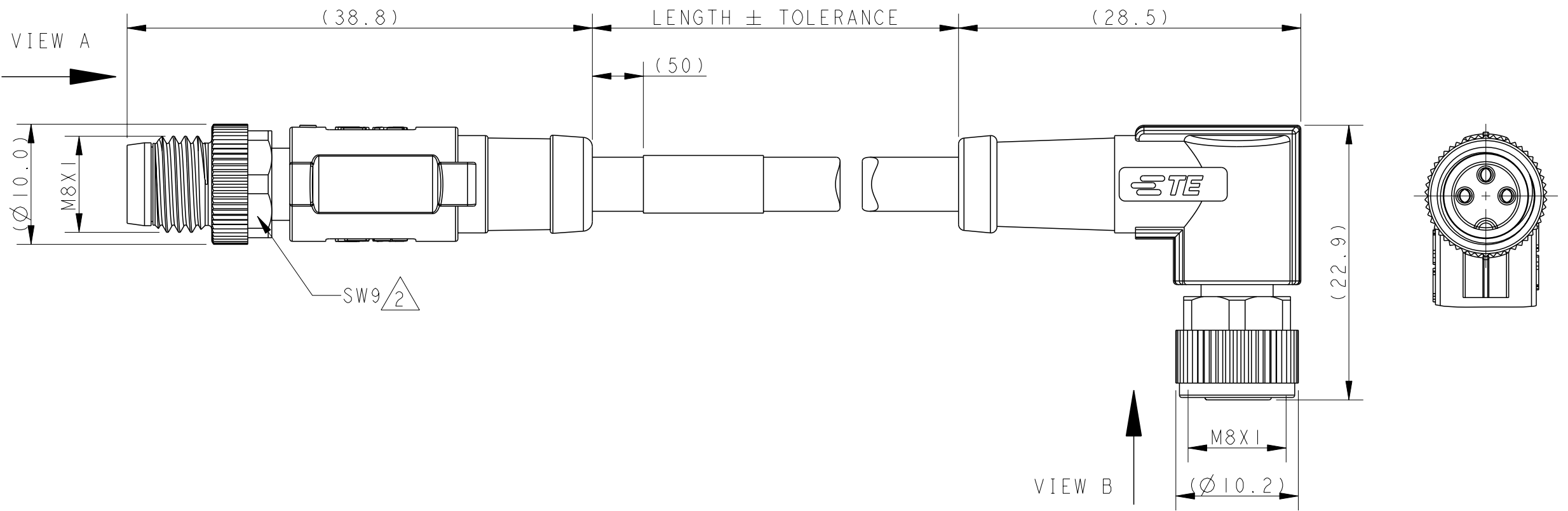
REVISIONS				
P	LTR	DESCRIPTION	DATE	APVD
	A	INITIAL RELEASE	11APR2021	BP CW

ITEM	DESCRIPTION	MATERIAL	OTHERS
1	MALE CONTACT	COPPER ALLOY	FLASH GOLD
2	MALE HOUSING	NYLON	BLACK
3	MALE NUT	COPPER ALLOY	NICKEL PLATED
4	OVER-MOLDING	POLYURETHANE	BLUE
5	CABLE	1=PVC 2=PUR	PVC:BLACK PUR:GRAY
6	LABEL	-	-
7	FEMALE NUT	COPPER ALLOY	NICKEL PLATED
8	O-RING	SILICONE	GRAY
9	FEMALE HOUSING	NYLON	BLACK
10	FEMALE CONTACT	COPPER ALLOY	FLASH GOLD

(T40521X3*) M8 ST MALE TO M8 ST FEMALE DOUBLE ENDED CABLE ASSEMBLY (Unshielded)



(T40521X4*) M8 ST MALE TO M8 R/A FEMALE DOUBLE ENDED CABLE ASSEMBLY (Unshielded)



PN	T40521X3003-XXX	T40521X3004-XXX		
	T40521X4003-XXX	T40521X4004-XXX		
VIEW A				
VIEW B				
WIRING DIAGRAM	PIN	WIRE	PIN	WIRE
	1	BROWN	1	BROWN
	2	---	2	WHITE
	3	BLUE	3	BLUE
4	BLACK	4	BLACK	
STANDARD	CODING REQUIRED TO IEC 61076-2-104			

TECHNICAL DATA	T40521X3003-XXX	T40521X4003-XXX	T40521X3004-XXX	T40521X4004-XXX
RATED VOLTAGE	60V	30V		
RATED IMPULSE VOLTAGE	1500V	800V		
RATED CURRENT		3A		
POLLETION DEGREE		3		
OVERVOLTAGE CATEGORY		II		
MATERIAL GROUP		II		
DEGREE OF PROTECTION		IP67		

THIS DRAWING IS A CONTROLLED DOCUMENT.

DWN: BLAZE PENG 10APR2021
 CHK: KEVIN HUANG 10APR2021
 APVD: CHRIS WANG 10APR2021

ENTRELEC
Electrical Solutions

NAME: M8 CABLE ASSEMBLY DOUBLE END UNSHIELDED

PRODUCT SPEC: 108-106140
 APPLICATION SPEC: 114-137144-1

SIZE: A200779 CAGE CODE: G-1SET310C02R0000 DRAWING NO: 114-137144-1 RESTRICTED TO: -

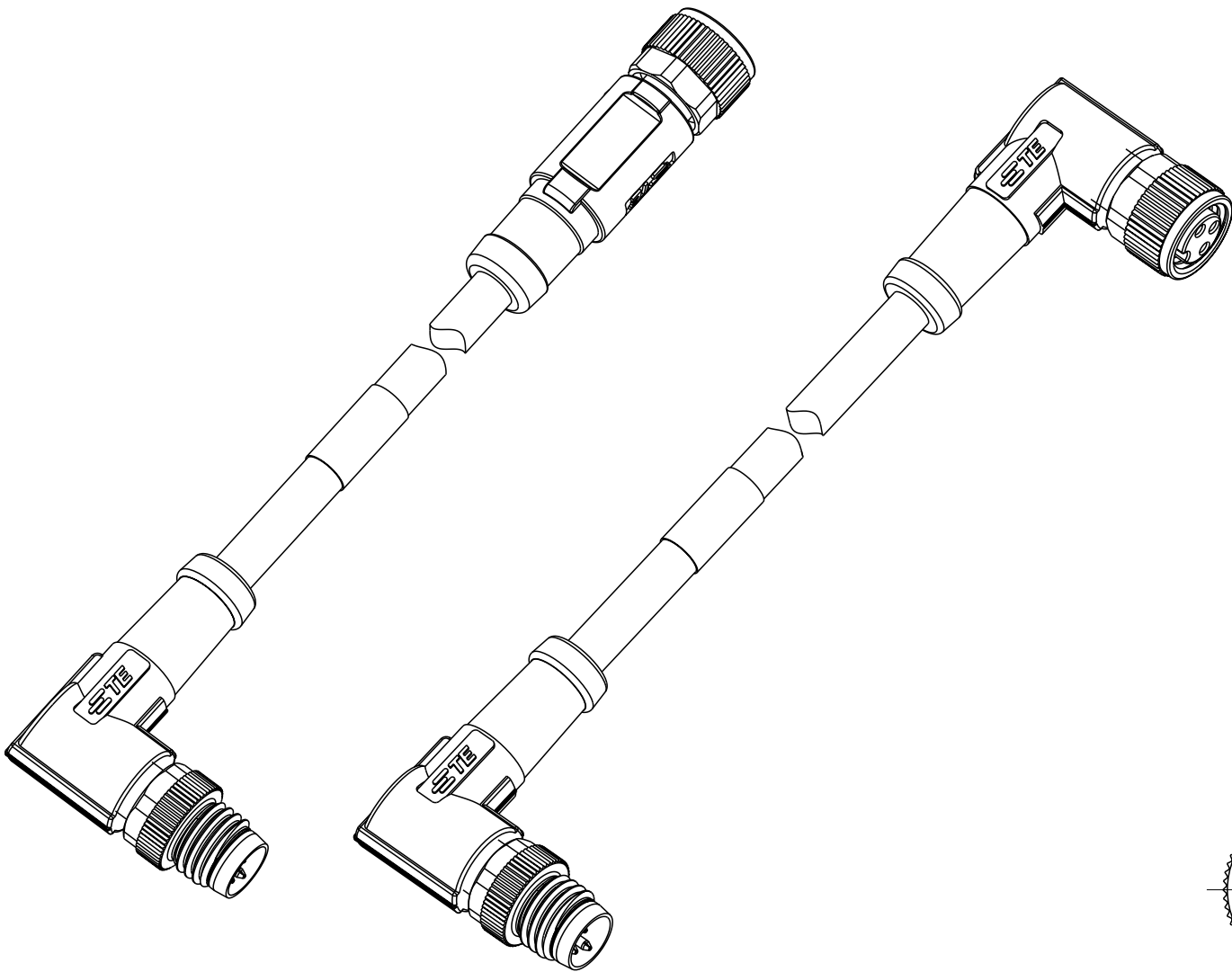
MATERIAL: - DIMENSIONS: mm TOLERANCES UNLESS OTHERWISE SPECIFIED: 0 PLC ±, 1 PLC ±, 2 PLC ±, 3 PLC ±, 4 PLC ±, ANGLES ±, FINISH -

CUSTOMER DRAWING SCALE: 1:1 SHEET 1 OF 3 REV A

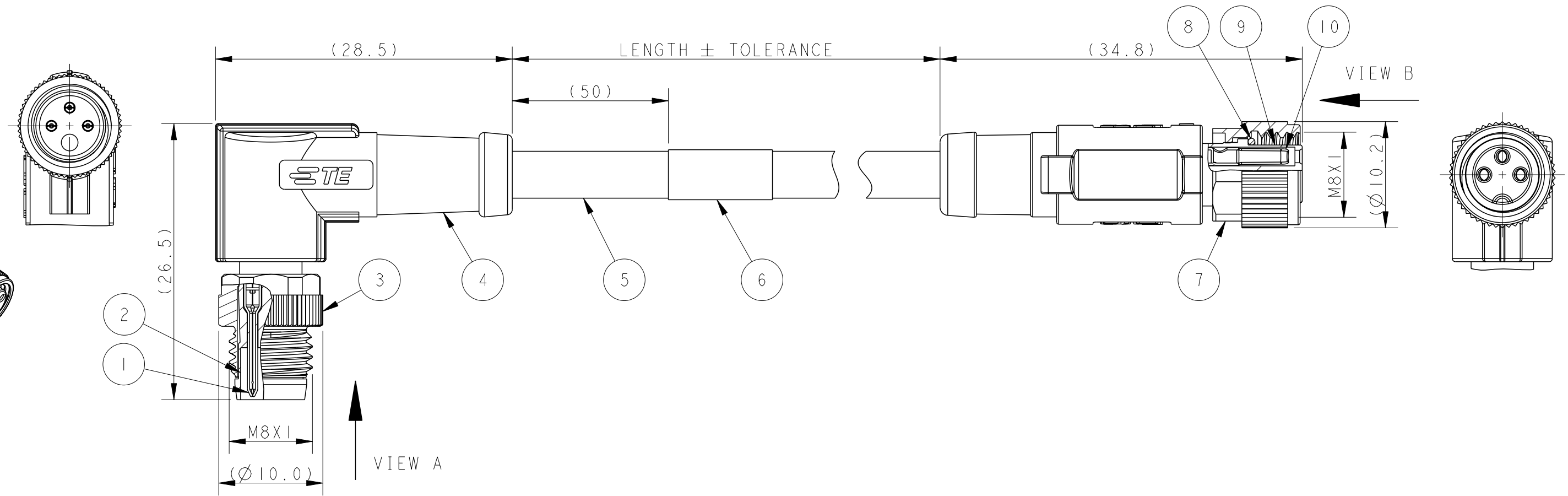
THIS DRAWING IS UNPUBLISHED. 2021 TE Connectivity. All Rights Reserved. RELEASED FOR PUBLICATION ALL RIGHTS RESERVED. COPYRIGHT

REVISIONS				
P	LTR	DESCRIPTION	DATE	APVD
		SEE SHEET 1		

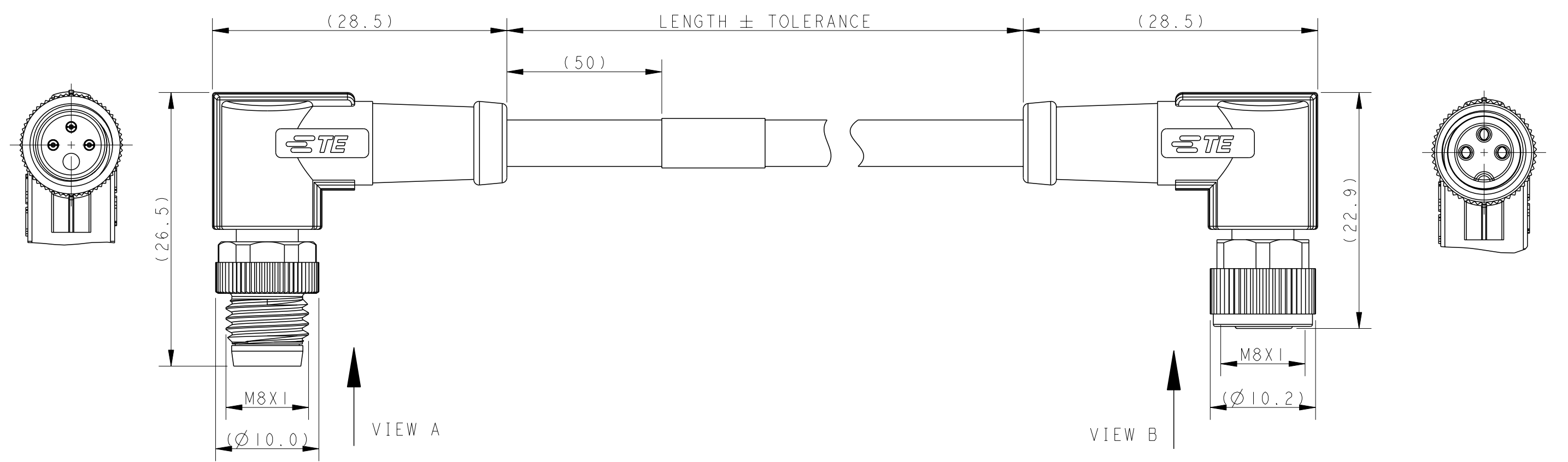
ITEM	DESCRIPTION	MATERIAL	OTHERS
1	MALE CONTACT	COPPER ALLOY	FLASH GOLD
2	MALE HOUSING	NYLON	BLACK
3	MALE NUT	COPPER ALLOY	NICKEL PLATED
4	OVER-MOLDING	POLYURETHANE	BLUE
5	CABLE	1=PVC 2=PUR	PVC: BLACK PUR: GRAY
6	LABEL	-	-
7	FEMALE NUT	COPPER ALLOY	NICKEL PLATED
8	O-RING	SILICONE	GRAY
9	FEMALE HOUSING	NYLON	BLACK
10	FEMALE CONTACT	COPPER ALLOY	FLASH GOLD



(T40522X3*) M8 R/A MALE TO M8 ST FEMALE DOUBLE ENDED CABLE ASSEMBLY (Unshielded)



(T40522X4*) M8 R/A MALE TO M8 R/A FEMALE DOUBLE ENDED CABLE ASSEMBLY (Unshielded)



PN	T40522X3003-XXX		T40522X3004-00X	
	T40522X4003-XXX		T40522X4004-XXX	
VIEW A				
VIEW B				
WIRING DIAGRAM	PIN	WIRE	PIN	WIRE
	1	BROWN	1	BROWN
	2	---	2	WHITE
	3	BLUE	3	BLUE
	4	BLACK	4	BLACK
STANDARD	CODING REQUIRED TO IEC 61076-2-104			

TECHNICAL DATA	T40522X3003-XXX	T40522X4003-XXX	T40522X3004-XXX	T40522X4004-XXX
RATED VOLTAGE	60V		30V	
RATED IMPULSE VOLTAGE	1500V		800V	
RATED CURRENT			3A	
POLLUTION DEGREE			3	
OVERVOLTAGE CATEGORY			II	
MATERIAL GROUP			II	
DEGREE OF PROTECTION			IP67	

THIS DRAWING IS A CONTROLLED DOCUMENT.

DWN: BLAZE PENG 10APR2021
 CHK: KEVIN HUANG 10APR2021
 APVD: CHRIS WANG 10APR2021

ENTRELEC
Electrical Solutions

NAME: M8 CABLE ASSEMBLY DOUBLE END UNSHIELDED

PRODUCT SPEC: 108-106140
 APPLICATION SPEC: 114-137144-1

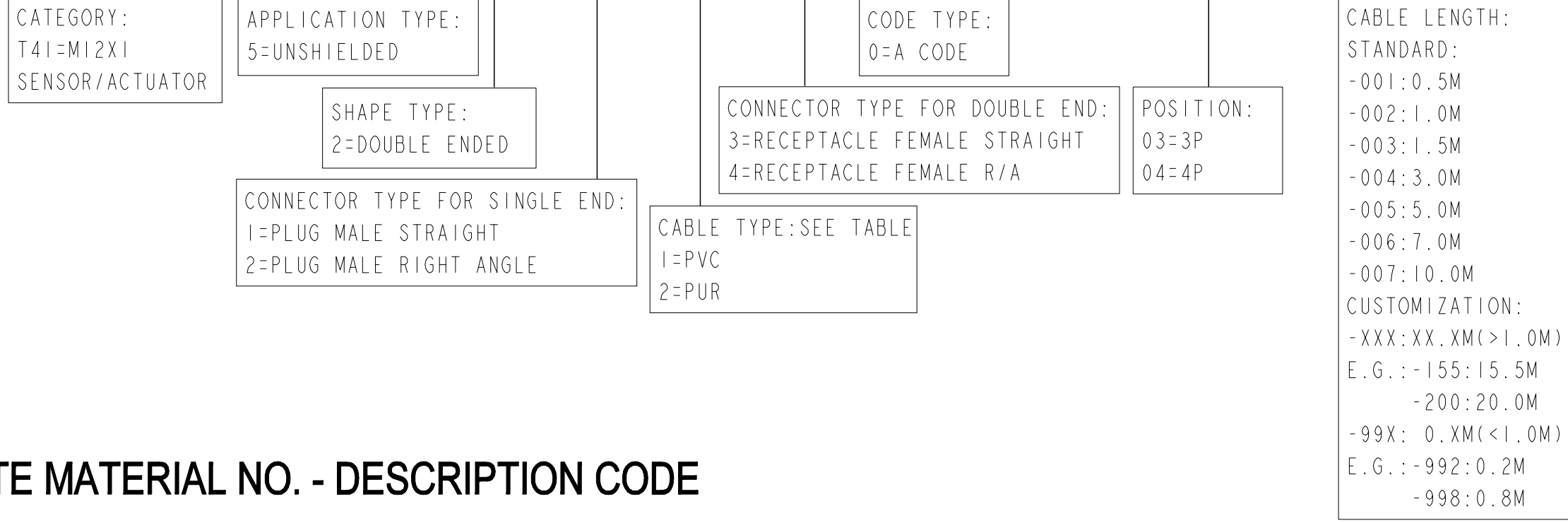
SIZE: A2 CAGE CODE: 00779 DRAWING NO: C-1SET310C02R0000 RESTRICTED TO: -
 WEIGHT: - SCALE: 1:1 SHEET: 2 OF 3 REV: A

CUSTOMER DRAWING

REVISIONS				
P	LTR	DESCRIPTION	DATE	APVD
		SEE SHEET 1		

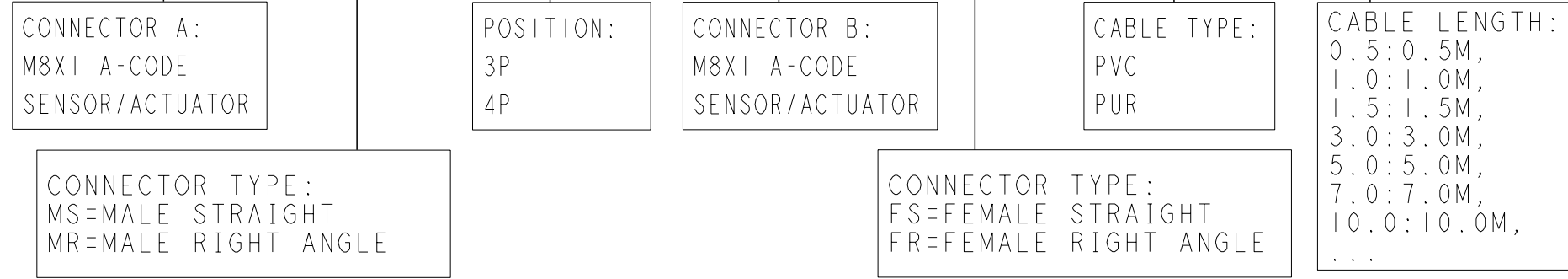
TE MATERIAL NO. - NUMERICAL CODE

T 4 0 5 2 X X X 0 X X - X X X



TE MATERIAL NO. - DESCRIPTION CODE

M8 - XX - XP - M8 - XX - PXX - **



CABLE INFORMATION

CABLE TYPE	NO. OF WIRES	CROSS SECTION	CABLE JACKET	UL	FIXED :TEMP.	FLEXIBLE:TEMP.
1	3/4	0.25mm ²	PVC BLACK	UL2464	-10°C~+80°C	-5°C~+80°C
2	3/4	0.25mm ²	PUR GREY	UL20549	-40°C~+80°C	-25°C~+80°C

CABLE LENGTH TOLERANCE

OVER	UP TO AND INCLUDING	TOLERANCES
0	1000mm	±30mm
1000mm	4000mm	±50mm
4000mm	5000mm	±60mm
5000mm	10000mm	±80mm
10000mm	>	±1.5% OF CABLE LENGTH

- NOTE:
- ①. CODE POSITION INDICATOR
 - ②. RECOMMENDED TORQUE 0.4 Nm
 - ③. CABLE ASSEMBLY TO BE PACKAGED IN POLYBAGS
 - ④. LABEL CONTAINS: PN, DATE CODE...

PART LIST

M8-MS-3P-M8-FS-PUR-1.0	T4052123003-002	1SET311571R0000
M8-MS-3P-M8-FS-PUR-3.0	T4052123003-004	1SET311573R0000
M8-MS-3P-M8-FS-PUR-5.0	T4052123003-005	1SET311574R0000
M8-MS-4P-M8-FS-PUR-1.0	T4052123004-002	1SET311578R0000
M8-MS-4P-M8-FS-PUR-3.0	T4052123004-004	1SET311580R0000
M8-MS-4P-M8-FS-PUR-5.0	T4052123004-005	1SET311581R0000
M8-MS-3P-M8-FR-PUR-1.0	T4052124003-002	1SET311585R0000
M8-MS-3P-M8-FR-PUR-3.0	T4052124003-004	1SET311587R0000
M8-MS-3P-M8-FR-PUR-5.0	T4052124003-005	1SET311588R0000
M8-MS-4P-M8-FR-PUR-1.0	T4052124004-002	1SET311592R0000
M8-MS-4P-M8-FR-PUR-3.0	T4052124004-004	1SET311594R0000
M8-MS-4P-M8-FR-PUR-5.0	T4052124004-005	1SET311595R0000
M8-MR-3P-M8-FS-PUR-1.0	T4052223003-002	1SET311683R0000
M8-MR-3P-M8-FS-PUR-3.0	T4052223003-004	1SET311685R0000
M8-MR-3P-M8-FS-PUR-5.0	T4052223003-005	1SET311686R0000
M8-MR-4P-M8-FS-PUR-1.0	T4052223004-002	1SET311690R0000
M8-MR-4P-M8-FS-PUR-3.0	T4052223004-004	1SET311692R0000
M8-MR-4P-M8-FS-PUR-5.0	T4052223004-005	1SET311693R0000
M8-MR-3P-M8-FR-PUR-1.0	T4052224003-002	1SET311697R0000
M8-MR-3P-M8-FR-PUR-3.0	T4052224003-004	1SET311699R0000
M8-MR-3P-M8-FR-PUR-5.0	T4052224003-005	1SET311700R0000
M8-MR-4P-M8-FR-PUR-1.0	T4052224004-002	1SET311704R0000
M8-MR-4P-M8-FR-PUR-3.0	T4052224004-004	1SET311706R0000
M8-MR-4P-M8-FR-PUR-5.0	T4052224004-005	1SET311707R0000
PRODUCT TYPE		ENTELEC PN

THIS DRAWING IS A CONTROLLED DOCUMENT.

DWN: BLAZE PENG 10APR2021
CHK: KEVIN HUANG 10APR2021
APVD: CHRIS WANG 10APR2021

ENTELEC
Electrical Solutions

NAME: M8 CABLE ASSEMBLY DOUBLE END UNSHIELDED

PRODUCT SPEC: 108-106140
APPLICATION SPEC: 114-137144-1

MATERIAL: -
FINISH: -

WEIGHT: -

CUSTOMER DRAWING

SCALE: 1:1 SHEET 3 OF 3 REV A