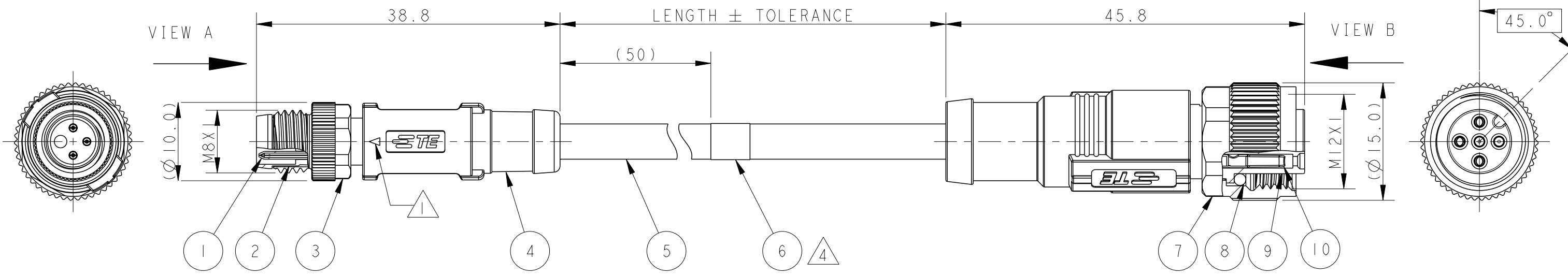


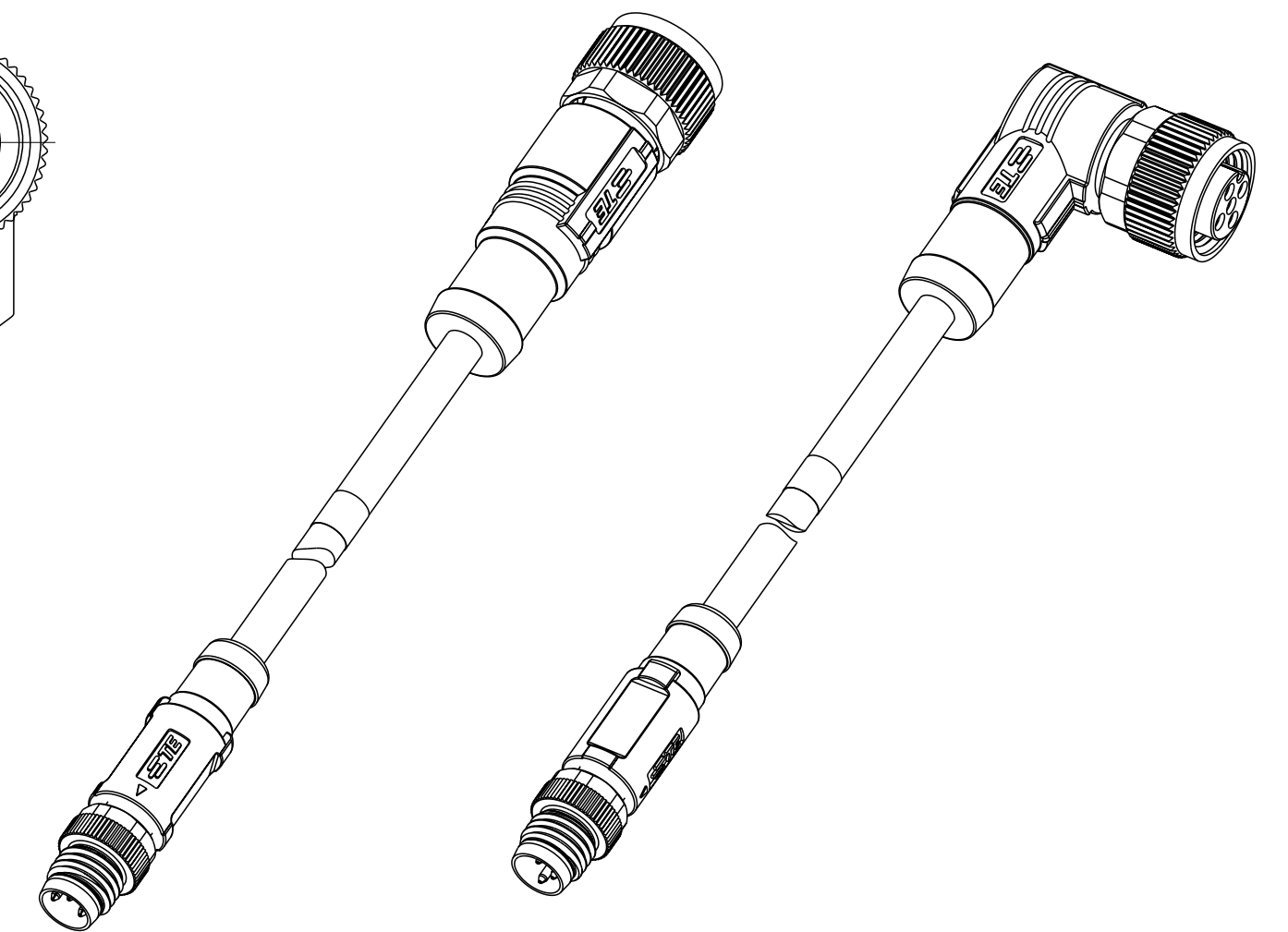
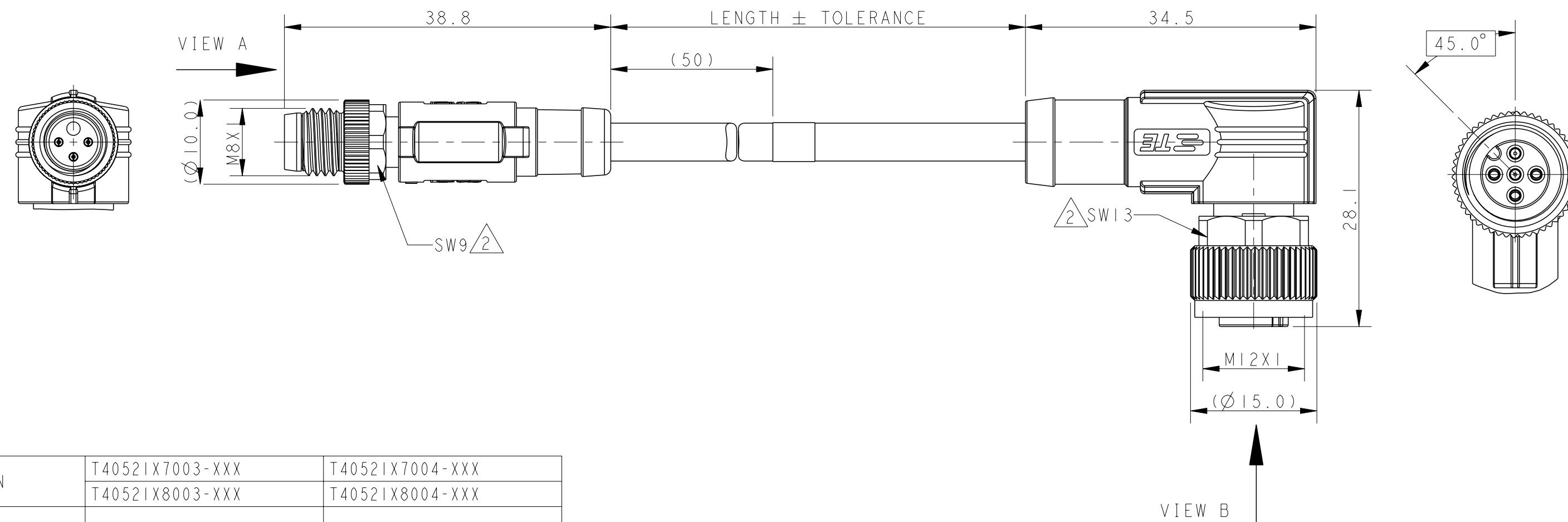
REVISIONS				
P	LTR	DESCRIPTION	DATE	APVD
	A	INITIAL RELEASE	08MAY2021	B.P C.W

(T40521X7*) M8 ST MALE TO M12 ST FEMALE DOUBLE ENDED CABLE ASSEMBLY (Unshielded)



ITEM	DESCRIPTION	MATERIAL	OTHERS
1	MALE CONTACT	COPPER ALLOY	FLASH GOLD
2	MALE HOUSING	NYLON	BLACK
3	MALE NUT	COPPER ALLOY	NICKEL PLATED
4	OVER-MOLDING	POLYURETHANE	BLUE
5	CABLE	1=PVC 2=PUR	PVC:BLACK PUR:GRAY
6	LABEL	-	-
7	FEMALE NUT	COPPER ALLOY	NICKEL PLATED
8	O-RING	SILICONE	GRAY
9	FEMALE HOUSING	NYLON	BLACK
10	FEMALE CONTACT	COPPER ALLOY	FLASH GOLD

(T40521X8*) M8 ST MALE TO M12 R/A FEMALE DOUBLE ENDED CABLE ASSEMBLY (Unshielded)



PN	T40521X7003-XXX	T40521X7004-XXX																				
	T40521X8003-XXX	T40521X8004-XXX																				
VIEW A																						
VIEW B																						
WIRING DIAGRAM	<table border="1"> <tr><th>PIN</th><th>WIRE</th></tr> <tr><td>1</td><td>BROWN</td></tr> <tr><td>2</td><td>---</td></tr> <tr><td>3</td><td>BLUE</td></tr> <tr><td>4</td><td>BLACK</td></tr> </table>	PIN	WIRE	1	BROWN	2	---	3	BLUE	4	BLACK	<table border="1"> <tr><th>PIN</th><th>WIRE</th></tr> <tr><td>1</td><td>BROWN</td></tr> <tr><td>2</td><td>WHITE</td></tr> <tr><td>3</td><td>BLUE</td></tr> <tr><td>4</td><td>BLACK</td></tr> </table>	PIN	WIRE	1	BROWN	2	WHITE	3	BLUE	4	BLACK
PIN	WIRE																					
1	BROWN																					
2	---																					
3	BLUE																					
4	BLACK																					
PIN	WIRE																					
1	BROWN																					
2	WHITE																					
3	BLUE																					
4	BLACK																					
STANDARD	CODING REQUIRED TO IEC 61076-2-104																					

TECHNICAL DATA	T40521X7003-XXX	T40521X8003-XXX	T40521X7004-XXX	T40521X8004-XXX
RATED VOLTAGE	60V		30V	
RATED IMPULSE VOLTAGE	1500V		800V	
RATED CURRENT		3A		
POLLETION DEGREE		3		
OVERVOLTAGE CATEGORY		II		
MATERIAL GROUP		II		
DEGREE OF PROTECTION		IP67		

THIS DRAWING IS A CONTROLLED DOCUMENT.		DWN: BLAZE PENG 10APR2021		NAME: M8 TO M12 CABLE ASSEMBLY DOUBLE END UNSHIELDED												
DIMENSIONS: mm		CHK: KEVIN HUANG 10APR2021														
TOLERANCES UNLESS OTHERWISE SPECIFIED:		APVD: CHRIS WANG 10APR2021														
<table border="1"> <tr><td>0 PLC</td><td>±</td></tr> <tr><td>1 PLC</td><td>±</td></tr> <tr><td>2 PLC</td><td>±</td></tr> <tr><td>3 PLC</td><td>±</td></tr> <tr><td>4 PLC</td><td>±</td></tr> <tr><td>ANGLES</td><td>±</td></tr> <tr><td>FINISH</td><td></td></tr> </table>		0 PLC			±	1 PLC	±	2 PLC	±	3 PLC	±	4 PLC	±	ANGLES	±	FINISH
0 PLC	±															
1 PLC	±															
2 PLC	±															
3 PLC	±															
4 PLC	±															
ANGLES	±															
FINISH																
MATERIAL	-	APPLICATION SPEC: 114-137144-1	SIZE: A200779	CAGE CODE: C-1SET310C05R0000												
CUSTOMER DRAWING			SCALE: 1:1	SHEET: 1 OF 5												
			RESTRICTED TO: -	REV: A												

4

3

2

1

THIS DRAWING IS UNPUBLISHED.
2021 TE Connectivity. All Rights Reserved.

RELEASED FOR PUBLICATION

ALL RIGHTS RESERVED.

COPYRIGHT

REVISIONS

P	LTR	DESCRIPTION	DATE	DWN	APVD
		SEE SHEET 1			

(T40522X7*) M8 R/A MALE TO M12 ST FEMALE DOUBLE ENDED CABLE ASSEMBLY (Unshielded)

ITEM	DESCRIPTION	MATERIAL	OTHERS
1	MALE CONTACT	COPPER ALLOY	FLASH GOLD
2	MALE HOUSING	NYLON	BLACK
3	MALE NUT	COPPER ALLOY	NICKEL PLATED
4	OVER-MOLDING	POLYURETHANE	BLUE
5	CABLE	1=PVC 2=PUR	PVC:BLACK PUR:GRAY
6	LABEL	-	-
7	FEMALE NUT	COPPER ALLOY	NICKEL PLATED
8	O-RING	SILICONE	GRAY
9	FEMALE HOUSING	NYLON	BLACK
10	FEMALE CONTACT	COPPER ALLOY	FLASH GOLD

(T40522X8*) M8 R/A MALE TO M12 R/A FEMALE DOUBLE ENDED CABLE ASSEMBLY (Unshielded)

PN	T40522X7003-XXX	T40522X7004-XXX
	T40522X8003-XXX	T40522X8004-XXX

VIEW A	T40522X7003-XXX	T40522X7004-XXX

VIEW B	T40522X7003-XXX	T40522X7004-XXX

WIRING DIAGRAM	PIN	WIRE	PIN	WIRE
	1	BROWN	1	BROWN
	2	---	2	WHITE
	3	BLUE	3	BLUE
	4	BLACK	4	BLACK

STANDARD CODING REQUIRED TO IEC 61076-2-104

TECHNICAL DATA	T40522X7003-00X	T40522X8003-00X	T40522X7004-00X	T40522X8004-XXX
RATED VOLTAGE	60V		30V	
RATED IMPULSE VOLTAGE	1500V		800V	
RATED CURRENT			3A	
POLLETION DEGREE			3	
OVERVOLTAGE CATEGORY			II	
MATERIAL GROUP			II	
DEGREE OF PROTECTION			IP67	

THIS DRAWING IS A CONTROLLED DOCUMENT.

DWN BLAZE PENG 10APR2021

CHK KEVIN HUANG 10APR2021

APVD CHRIS WANG 10APR2021

PRODUCT SPEC

108-106140

APPLICATION SPEC

114-137144-1

WEIGHT -

CUSTOMER DRAWING

ENTRELEC
Electrical Solutions

NAME M8 TO M12 CABLE ASSEMBLY DOUBLE END UNSHIELDED

SIZE CAGE CODE DRAWING NO RESTRICTED TO

A200779 C-1SET310C05R0000 -

SCALE 1:1 SHEET 2 OF 5 REV A

DIMENSIONS:

mm

MATERIAL

-

-

TOLERANCES UNLESS OTHERWISE SPECIFIED:

0 PLC ±-

1 PLC ±-

2 PLC ±-

3 PLC ±-

4 PLC ±-

ANGLES ±-

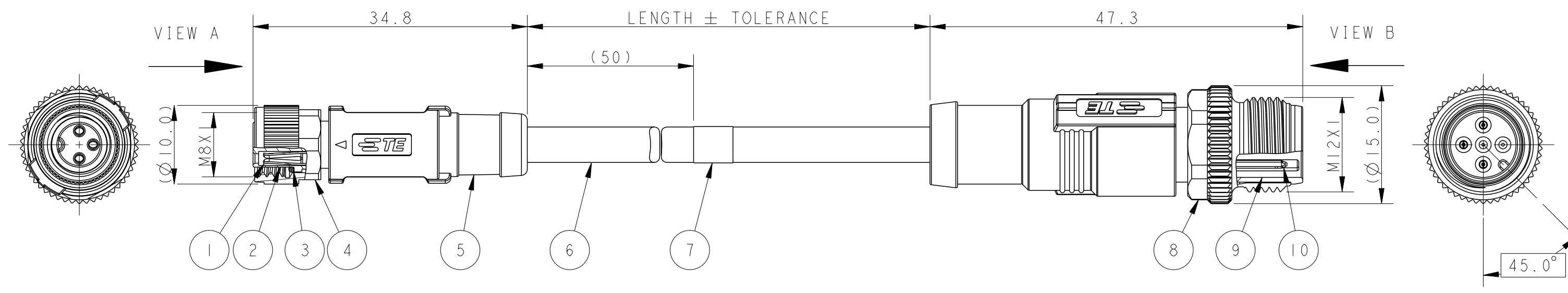
FINISH

-

1471-9 (3/13)

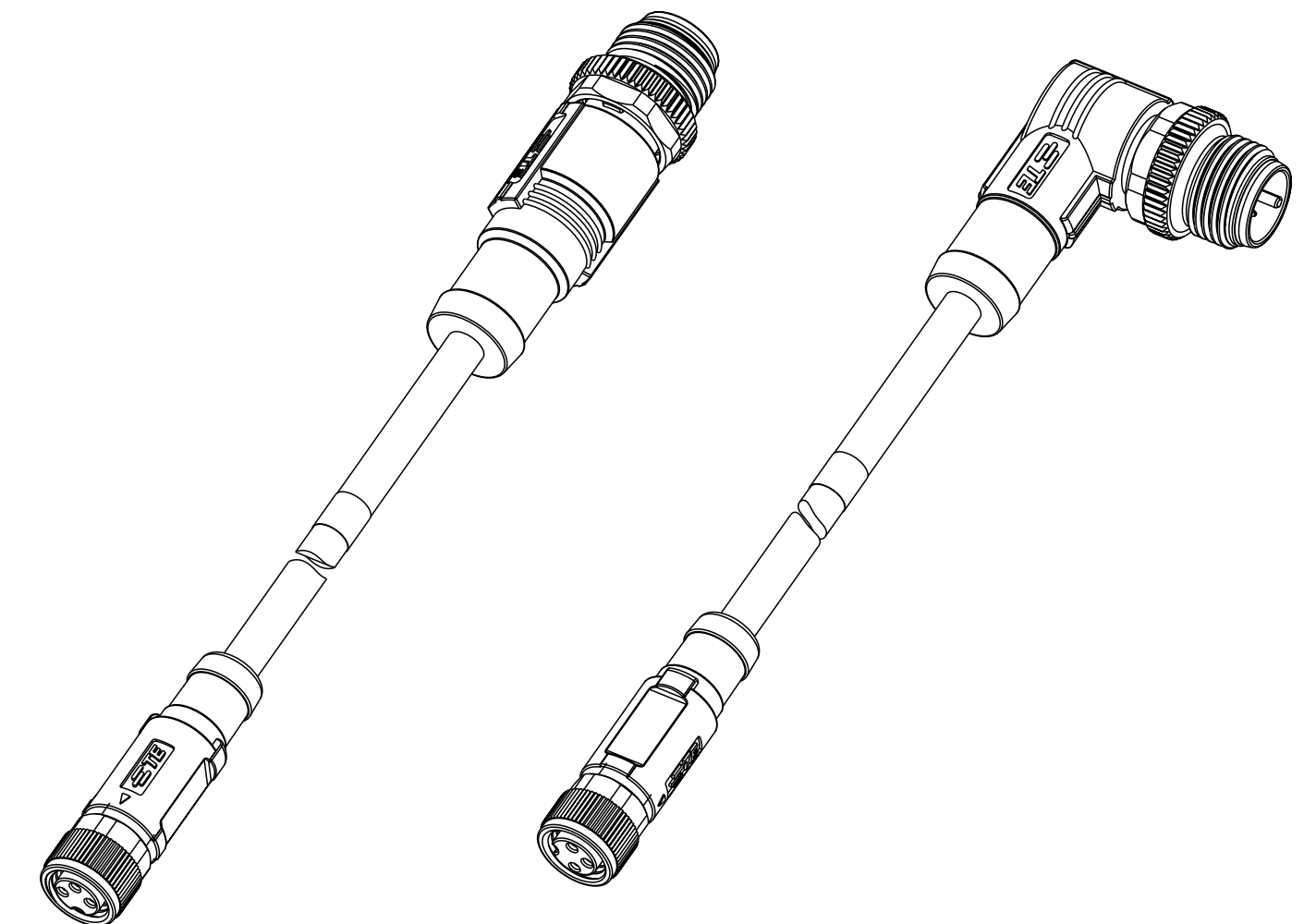
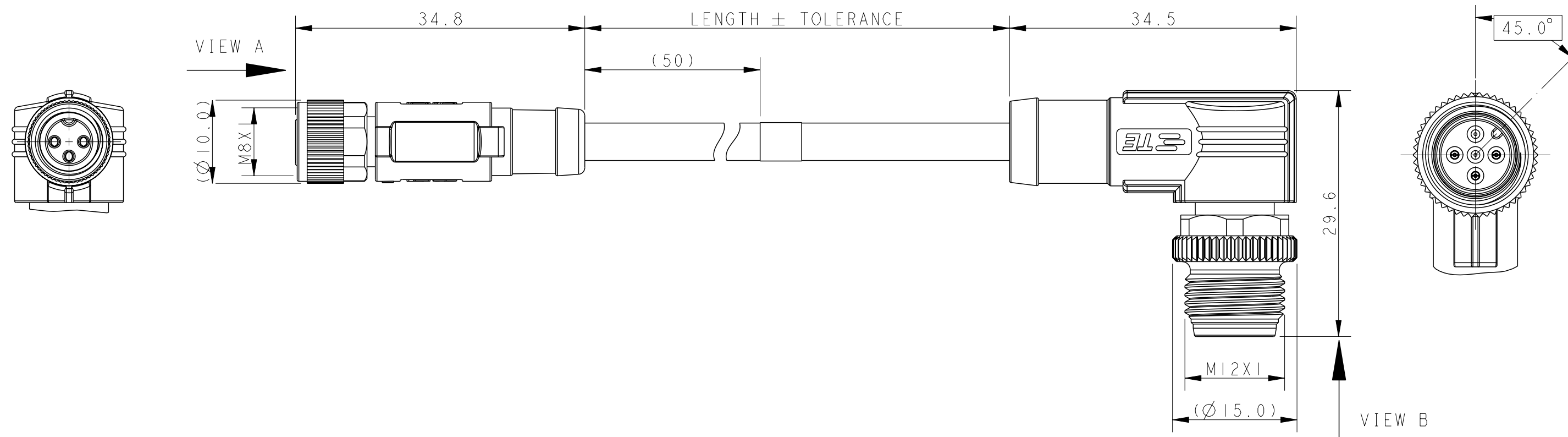
REVISIONS				
P	LTR	DESCRIPTION	DATE	APVD
		SEE SHEET 1		

(T40523X5*) M8 ST FEMALE TO M12 ST MALE DOUBLE ENDED CABLE ASSEMBLY (Unshielded)



ITEM	DESCRIPTION	MATERIAL	OTHERS
1	FEMALE CONTACT	COPPER ALLOY	FLASH GOLD
2	FEMALE HOUSING	NYLON	BLACK
3	O-RING	SILICONE	GRAY
4	FEMALE NUT	COPPER ALLOY	NICKEL PLATED
5	OVER-MOLDING	POLYURETHANE	BLUE
6	CABLE	1=PVC 2=PUR	PVC:BLACK PUR:GRAY
7	LABEL	-	-
8	MALE NUT	COPPER ALLOY	NICKEL PLATED
9	MALE HOUSING	NYLON	BLACK
10	MALE CONTACT	COPPER ALLOY	FLASH GOLD

(T40523X6*) M8 ST FEMALE TO M12 R/A MALE DOUBLE ENDED CABLE ASSEMBLY (Unshielded)



PN	T40523X5003-XXX T40523X6003-XXX	T40523X5004-XXX T40523X6004-XXX																				
VIEW A																						
VIEW B																						
WIRING DIAGRAM	<table border="1"> <thead> <tr> <th>PIN</th> <th>WIRE</th> </tr> </thead> <tbody> <tr> <td>1</td> <td>BROWN</td> </tr> <tr> <td>2</td> <td>---</td> </tr> <tr> <td>3</td> <td>BLUE</td> </tr> <tr> <td>4</td> <td>BLACK</td> </tr> </tbody> </table>	PIN	WIRE	1	BROWN	2	---	3	BLUE	4	BLACK	<table border="1"> <thead> <tr> <th>PIN</th> <th>WIRE</th> </tr> </thead> <tbody> <tr> <td>1</td> <td>BROWN</td> </tr> <tr> <td>2</td> <td>WHITE</td> </tr> <tr> <td>3</td> <td>BLUE</td> </tr> <tr> <td>4</td> <td>BLACK</td> </tr> </tbody> </table>	PIN	WIRE	1	BROWN	2	WHITE	3	BLUE	4	BLACK
PIN	WIRE																					
1	BROWN																					
2	---																					
3	BLUE																					
4	BLACK																					
PIN	WIRE																					
1	BROWN																					
2	WHITE																					
3	BLUE																					
4	BLACK																					
STANDARD	CODING REQUIRED TO IEC 61076-2-104																					

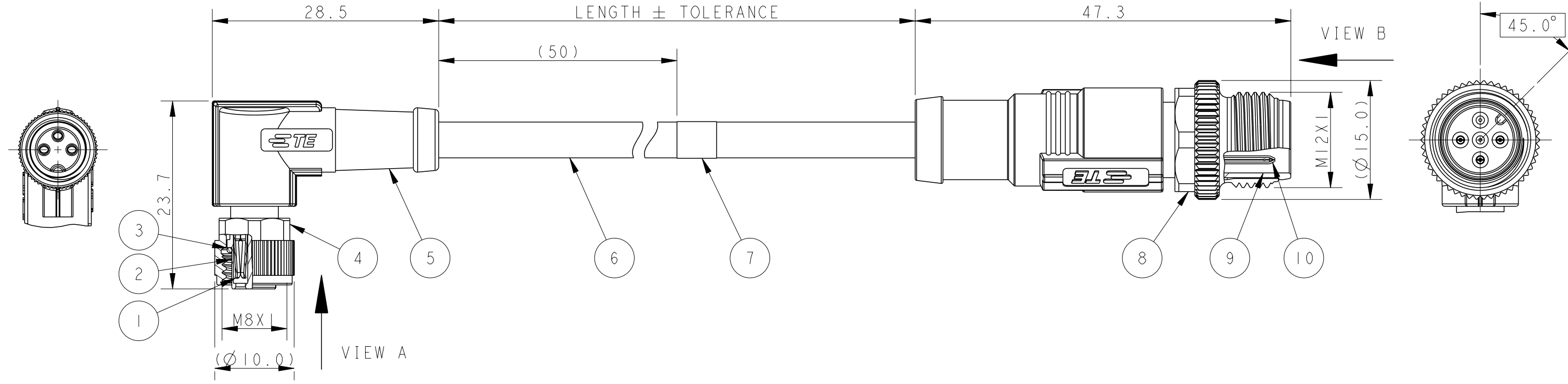
TECHNICAL DATA	T40523X5003-00X	T40523X6003-00X	T40523X5004-00X	T40523X6004-XXX
RATED VOLTAGE	60V		30V	
RATED IMPULSE VOLTAGE	1500V		800V	
RATED CURRENT			3A	
POLLETION DEGREE			3	
OVERVOLTAGE CATEGORY			II	
MATERIAL GROUP			II	
DEGREE OF PROTECTION			IP67	

THIS DRAWING IS A CONTROLLED DOCUMENT.		DWN BLAZE PENG CHK KEVIN HUANG APVD CHRIS WANG	LOAPR2021 LOAPR2021 LOAPR2021	ENTRELEC Electrical Solutions	
DIMENSIONS: mm		TOLERANCES UNLESS OTHERWISE SPECIFIED: 0 PLC ±- 1 PLC ±- 2 PLC ±- 3 PLC ±- 4 PLC ±- ANGLES ±- FINISH			
MATERIAL		CUSTOMER DRAWING		SCALE 1:1	RESTRICTED TO
				SHEET 3 OF 5	REV A

THIS DRAWING IS UNPUBLISHED. 2021 TE Connectivity. All Rights Reserved. RELEASED FOR PUBLICATION ALL RIGHTS RESERVED. COPYRIGHT

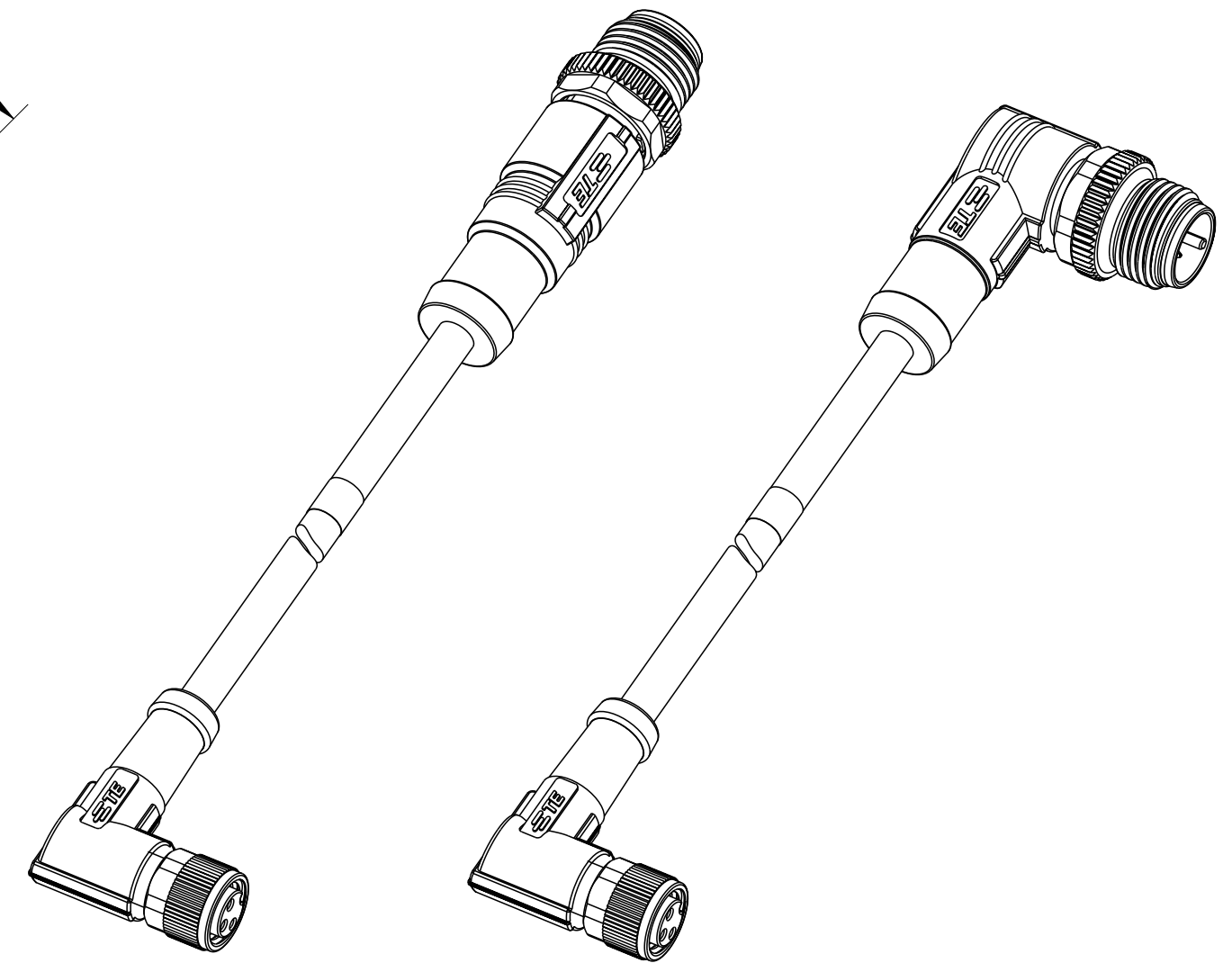
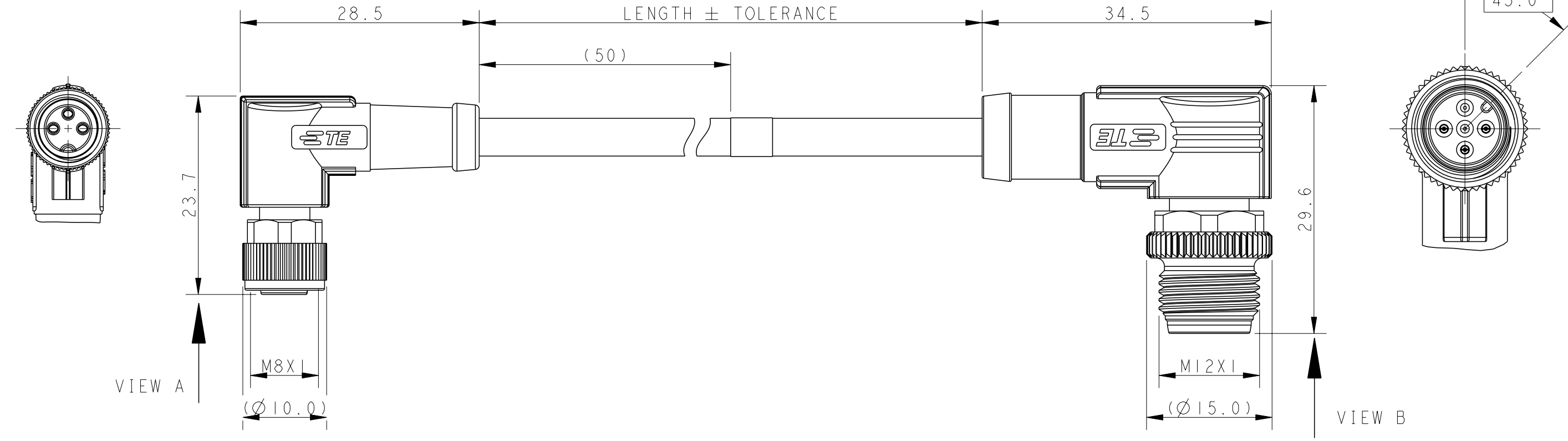
REVISIONS					
P	LTR	DESCRIPTION	DATE	DWN	APVD
		SEE SHEET 1			

(T40524X5*) M8 R/A FEMALE TO M12 ST MALE DOUBLE ENDED CABLE ASSEMBLY (Unshielded)



ITEM	DESCRIPTION	MATERIAL	OTHERS
1	FEMALE CONTACT	COPPER ALLOY	FLASH GOLD
2	FEMALE HOUSING	NYLON	BLACK
3	O-RING	SILICONE	GRAY
4	FEMALE NUT	COPPER ALLOY	NICKEL PLATED
5	OVER-MOLDING	POLYURETHANE	BLUE
6	CABLE	1=PVC 2=PUR	PVC:BLACK PUR:GRAY
7	LABEL	-	-
8	MALE NUT	COPPER ALLOY	NICKEL PLATED
9	MALE HOUSING	NYLON	BLACK
10	MALE CONTACT	COPPER ALLOY	FLASH GOLD

(T40524X6*) M8 R/A FEMALE TO M12 R/A MALE DOUBLE ENDED CABLE ASSEMBLY (Unshielded)



PN	T40524X5003-XXX T40524X6003-XXX	T40524X5004-XXX T40524X6004-XXX																				
VIEW A																						
VIEW B																						
WIRING DIAGRAM	<table border="1"> <thead> <tr> <th>PIN</th> <th>WIRE</th> </tr> </thead> <tbody> <tr> <td>1</td> <td>BROWN</td> </tr> <tr> <td>2</td> <td>---</td> </tr> <tr> <td>3</td> <td>BLUE</td> </tr> <tr> <td>4</td> <td>BLACK</td> </tr> </tbody> </table>	PIN	WIRE	1	BROWN	2	---	3	BLUE	4	BLACK	<table border="1"> <thead> <tr> <th>PIN</th> <th>WIRE</th> </tr> </thead> <tbody> <tr> <td>1</td> <td>BROWN</td> </tr> <tr> <td>2</td> <td>WHITE</td> </tr> <tr> <td>3</td> <td>BLUE</td> </tr> <tr> <td>4</td> <td>BLACK</td> </tr> </tbody> </table>	PIN	WIRE	1	BROWN	2	WHITE	3	BLUE	4	BLACK
PIN	WIRE																					
1	BROWN																					
2	---																					
3	BLUE																					
4	BLACK																					
PIN	WIRE																					
1	BROWN																					
2	WHITE																					
3	BLUE																					
4	BLACK																					
STANDARD	CODING REQUIRED TO IEC 61076-2-104																					

TECHNICAL DATA	T40524X5003-00X	T40524X6003-00X	T40524X5004-00X	T40524X6004-XXX
RATED VOLTAGE	60V		30V	
RATED IMPULSE VOLTAGE	1500V		800V	
RATED CURRENT			3A	
POLLETION DEGREE			3	
OVERVOLTAGE CATEGORY			II	
MATERIAL GROUP			II	
DEGREE OF PROTECTION			IP67	

THIS DRAWING IS A CONTROLLED DOCUMENT.

DWN: BLAZE PENG 10APR2021
CHK: KEVIN HUANG 10APR2021
APVD: CHRIS WANG 10APR2021

ENTRELEC
Electrical Solutions

NAME: M8 TO M12 CABLE ASSEMBLY DOUBLE END UNSHIELDED

PRODUCT SPEC: 108-106140
APPLICATION SPEC: 114-137144-1

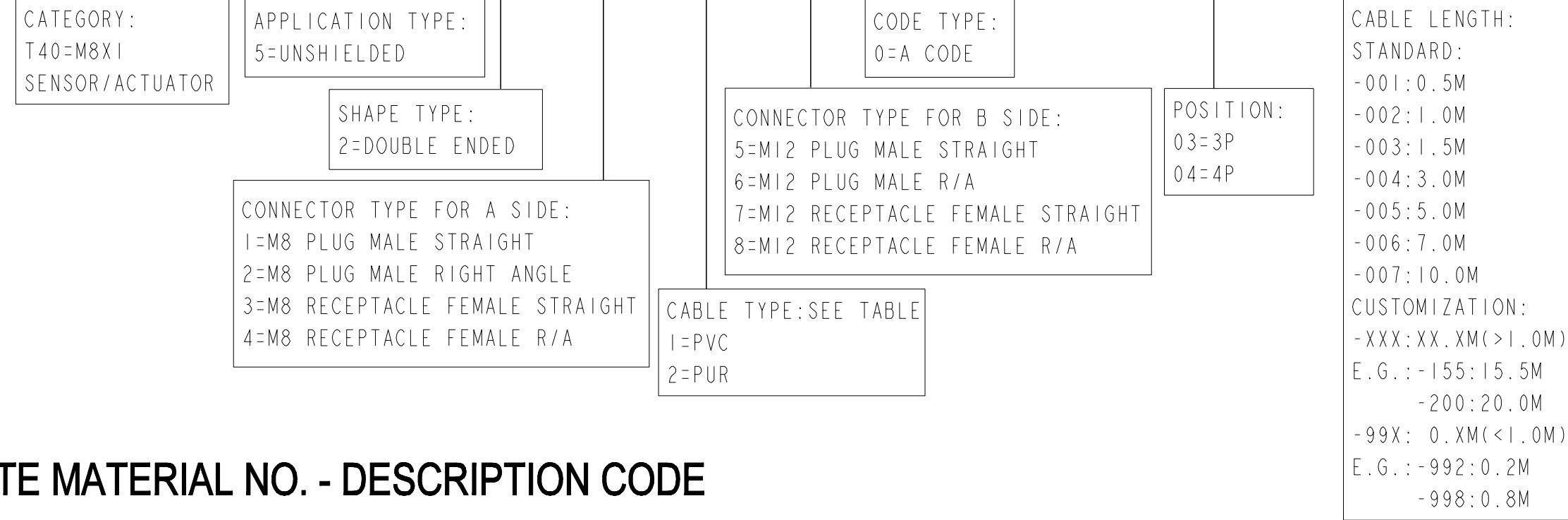
SIZE: A200779 CAGE CODE: C-1SET310C05R0000 DRAWING NO: 114-137144-1 RESTRICTED TO: -

MATERIAL: - FINISH: - WEIGHT: - CUSTOMER DRAWING SCALE: 1:1 SHEET: 4 OF 5 REV: A

REVISIONS				
P	LTR	DESCRIPTION	DATE	APVD
		SEE SHEET 1		

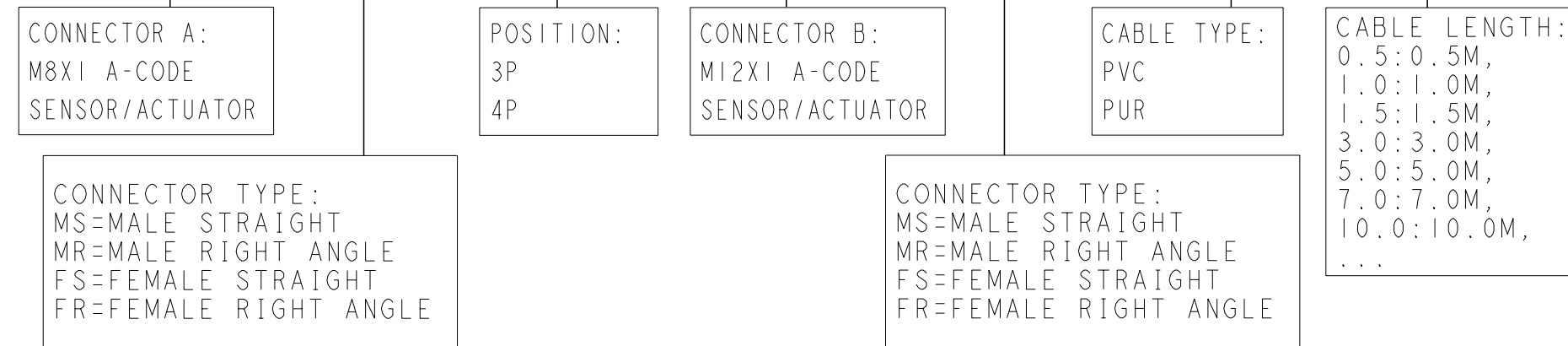
TE MATERIAL NO. - NUMERICAL CODE

T 4 0 5 2 X X X 0 X X - X X X



TE MATERIAL NO. - DESCRIPTION CODE

M8 - XX - XP - M12 - XX - PXX - **



CABLE INFORMATION

CABLE TYPE	NO. OF WIRES	CROSS SECTION	CABLE JACKET	UL	FIXED :TEMP.	FLEXIBLE:TEMP.
1	3/4	0.25mm ²	PVC BLACK	UL2464	-10°C~+80°C	-5°C~+80°C
2	3/4	0.25mm ²	PUR GREY	UL20549	-40°C~+80°C	-25°C~+80°C

CABLE LENGTH TOLERANCE

OVER	UP TO AND INCLUDING	TOLERANCES
0	1000mm	±30mm
1000mm	4000mm	±50mm
4000mm	5000mm	±60mm
5000mm	10000mm	±80mm
10000mm	>	±1.5% OF CABLE LENGTH

- NOTE:
- 1. CODE POSITION INDICATOR
 - 2. RECOMMENDED TORQUE: SW9, 0.4Nm
SW13, 0.6Nm
 - 3. CABLE ASSEMBLY TO BE PACKAGED IN POLYBAGS
 - 4. LABEL CONTAINS: PN, DATE CODE...

PART LIST

M8-MS-3P-M12-FS-PUR-1.0	T4052127003-002	ISET311599R0000
M8-MS-3P-M12-FS-PUR-3.0	T4052127003-004	ISET311601R0000
M8-MS-3P-M12-FS-PUR-5.0	T4052127003-005	ISET311602R0000
M8-MS-4P-M12-FS-PUR-1.0	T4052127004-002	ISET311606R0000
M8-MS-4P-M12-FS-PUR-3.0	T4052127004-004	ISET311608R0000
M8-MS-4P-M12-FS-PUR-5.0	T4052127004-005	ISET311609R0000
M8-MS-3P-M12-FR-PUR-1.0	T4052128003-002	ISET311613R0000
M8-MS-3P-M12-FR-PUR-3.0	T4052128003-004	ISET311615R0000
M8-MS-3P-M12-FR-PUR-5.0	T4052128003-005	ISET311616R0000
M8-MS-4P-M12-FR-PUR-1.0	T4052128004-002	ISET311620R0000
M8-MS-4P-M12-FR-PUR-3.0	T4052128004-004	ISET311622R0000
M8-MS-4P-M12-FR-PUR-5.0	T4052128004-005	ISET311623R0000
M8-MR-3P-M12-FS-PUR-1.0	T4052227003-002	ISET311711R0000
M8-MR-3P-M12-FS-PUR-3.0	T4052227003-004	ISET311713R0000
M8-MR-3P-M12-FS-PUR-5.0	T4052227003-005	ISET311714R0000
M8-MR-4P-M12-FS-PUR-1.0	T4052227004-002	ISET311718R0000
M8-MR-4P-M12-FS-PUR-3.0	T4052227004-004	ISET311720R0000
M8-MR-4P-M12-FS-PUR-5.0	T4052227004-005	ISET311721R0000
M8-MR-3P-M12-FR-PUR-1.0	T4052228003-002	ISET311725R0000
M8-MR-3P-M12-FR-PUR-3.0	T4052228003-004	ISET311727R0000
M8-MR-3P-M12-FR-PUR-5.0	T4052228003-005	ISET311728R0000
M8-MR-4P-M12-FR-PUR-1.0	T4052228004-002	ISET311732R0000
M8-MR-4P-M12-FR-PUR-3.0	T4052228004-004	ISET311734R0000
M8-MR-4P-M12-FR-PUR-5.0	T4052228004-005	ISET311735R0000
M8-FS-3P-M12-MS-PUR-1.0	T4052325003-002	ISET311767R0000
M8-FS-3P-M12-MS-PUR-3.0	T4052325003-004	ISET311769R0000
M8-FS-3P-M12-MS-PUR-5.0	T4052325003-005	ISET311770R0000
M8-FS-4P-M12-MS-PUR-1.0	T4052325004-002	ISET311774R0000
M8-FS-4P-M12-MS-PUR-3.0	T4052325004-004	ISET311776R0000
M8-FS-4P-M12-MS-PUR-5.0	T4052325004-005	ISET311777R0000
M8-FS-3P-M12-MR-PUR-1.0	T4052326003-002	ISET311781R0000
M8-FS-3P-M12-MR-PUR-3.0	T4052326003-004	ISET311783R0000
M8-FS-3P-M12-MR-PUR-5.0	T4052326003-005	ISET311784R0000
M8-FS-4P-M12-MR-PUR-1.0	T4052326004-002	ISET311788R0000
M8-FS-4P-M12-MR-PUR-3.0	T4052326004-004	ISET311790R0000
M8-FS-4P-M12-MR-PUR-5.0	T4052326004-005	ISET311791R0000
M8-FR-3P-M12-MS-PUR-1.0	T4052425003-002	ISET311823R0000
M8-FR-3P-M12-MS-PUR-5.0	T4052425003-005	ISET311826R0000
M8-FR-4P-M12-MS-PUR-1.0	T4052425004-002	ISET311830R0000
M8-FR-4P-M12-MS-PUR-3.0	T4052425004-004	ISET311832R0000
M8-FR-4P-M12-MS-PUR-5.0	T4052425004-005	ISET311833R0000
M8-FR-3P-M12-MR-PUR-1.0	T4052426003-002	ISET311837R0000
M8-FR-3P-M12-MR-PUR-3.0	T4052426003-004	ISET311839R0000
M8-FR-3P-M12-MR-PUR-5.0	T4052426003-005	ISET311840R0000
M8-FR-4P-M12-MR-PUR-1.0	T4052426004-002	ISET311844R0000
M8-FR-4P-M12-MR-PUR-3.0	T4052426004-004	ISET311846R0000
M8-FR-4P-M12-MR-PUR-5.0	T4052426004-005	ISET311847R0000
PRODUCT TYPE	TE PN	ENTRELEC PN

THIS DRAWING IS A CONTROLLED DOCUMENT.

DWN: BLAZE PENG 10APR2021
CHK: KEVIN HUANG 10APR2021
APVD: CHRIS WANG 10APR2021

ENTRELEC
Electrical Solutions

NAME: M8 TO M12 CABLE ASSEMBLY DOUBLE END UNSHIELDED

PRODUCT SPEC: 108-106140
APPLICATION SPEC: 114-137144-1

MATERIAL: -
FINISH: -

WEIGHT: -

CUSTOMER DRAWING

SCALE: 1:1
SHEET: 5 OF 5
REV: A