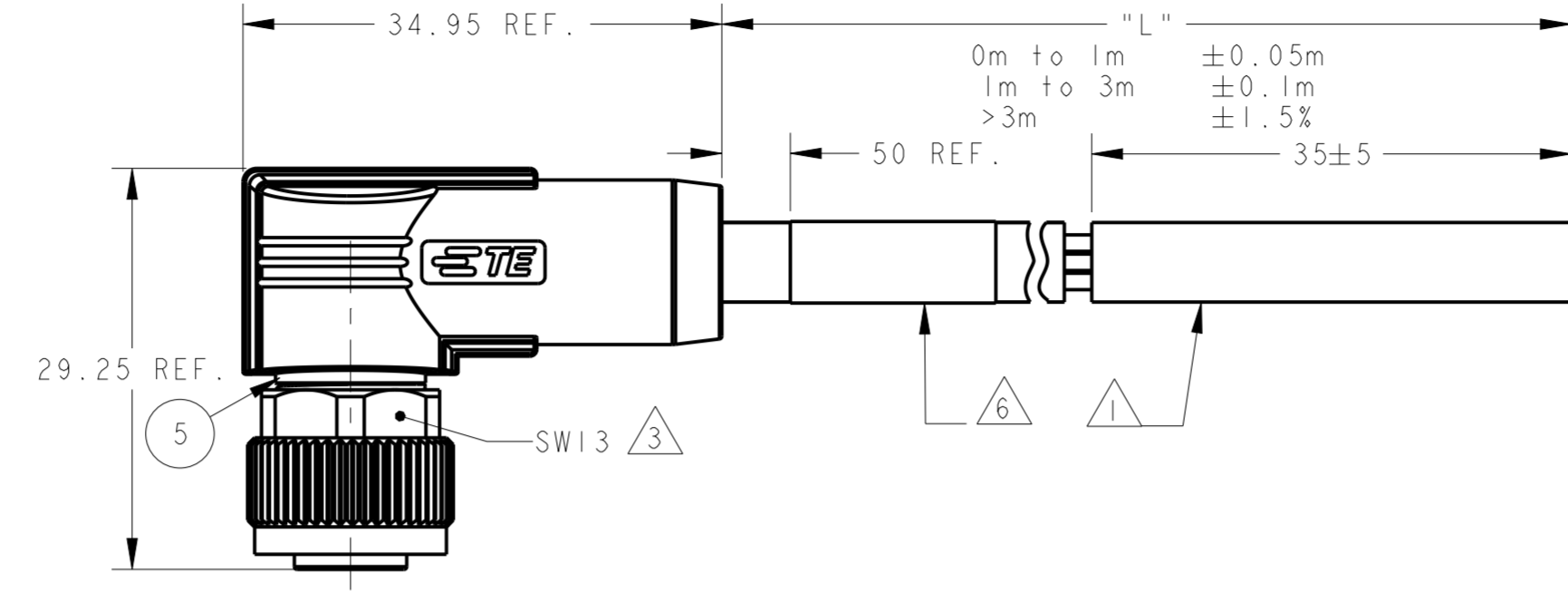


THIS DRAWING IS UNPUBLISHED. RELEASED FOR PUBLICATION 20
 © COPYRIGHT 20 BY - ALL RIGHTS RESERVED.

ITEM	DESCRIPTION	MATERIAL	OTHERS
1	FEMALE CONTACT	COPPER ALLOY	GOLD PLATED
2	HOUSING	NYLON	BLACK
3	COUPLING NUT	COPPER ALLOY	NICKEL PLATED
4	OVER-MOLDING	PVC/TPU	BLACK
5	SHIELDED SHELL	COPPER ALLOY	NICKEL PLATED
6	O-RING	SILICONE	GRAY
7	CABLE	PVC/PUR JACKET	GRAY/VIOLET
8	LABEL	-	-

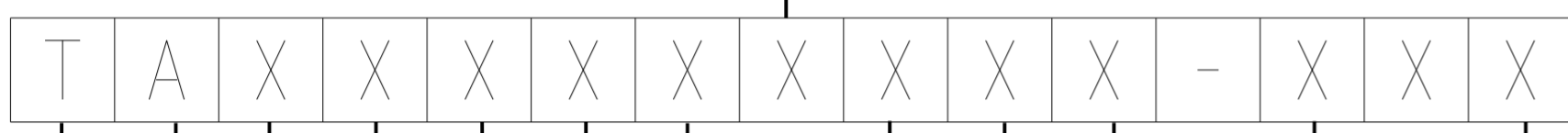
REVISIONS				
P	LTR	DESCRIPTION	DATE	APVD
	A	INITIAL RELEASE	08JUN2021	BP CW



NOTE:
 1. STRIP AND RETAIN THE INSULATION
 2. CODE POSITION INDICATOR
 3. RECOMMENDED TORQUE 0.6 Nm
 4. -** : CABLE LENGTH, FOR EXAMPLE: -0.5M
 5. CABLE ASSEMBLY TO BE PACKAGED IN POLYBAGS
 6. LABEL CONTAINS: PN, DATE CODE...

注释:
 1. 剥线并保留护套绝缘层
 2. CODE位置指示
 3. 推荐扭矩0.6 Nm
 4. -** : 线缆长度, 例如: -0.5M
 5. 线缆组件塑料袋包装
 6. 标签包含: 产品编号, 日期代码...

TE PN CODING:



CABLE JACKET
 1=PVC MODERATE FLEXIBLE
 5=PUR HIGH FLEXIBLE(DRAG CHAIN)

TE MI2 SERIES

CODE TYPE
 A=A CODE

POLES NO.
 5-5 POS

OVERMOLDING
 0=BLACK TPU
 1=BLACK PVC

APPLICATION TYPE
 7=DEVICENET/CANOPEN SHIELDED

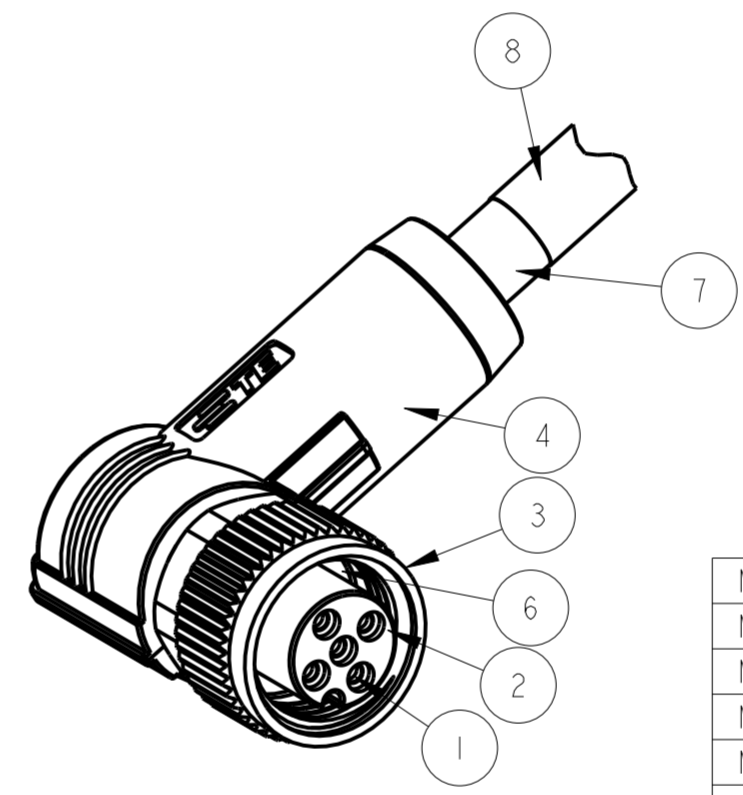
WIRE GAUGE
 B=20AWG+
 22AWG DRAIN WIRE

CABLE JACKET COLOR
 5=VIOLET
 SIMILAR TO RAL4001
 6=GRAY
 SIMILAR TO RAL7037

INTERFACE TYPE
 1=MALE STRAIGHT
 2=MALE ANGLED
 3=FEMALE STRAIGHT
 4=FEMALE ANGLED
 5=MALE STRAIGHT TO FEMALE STRAIGHT
 6=MALE STRAIGHT TO FEMALE ANGLED
 A=MALE ANGLED TO FEMALE STRAIGHT

OTHER ATTRIBUTES
 1=STANDARD SCREW NUT WITH NICKEL PLATED/
 STAMPED TERMINAL 30U*AU PLATING

TYPICAL LENGTH:
 -001: 0.5M
 -002: 1.0M
 -020: 2.0M
 -040: 4.0M
 -060: 6.0M
 -080: 8.0M
 -007: 10.0M
 -150: 15.0M
CUSTOMIZATION RULES:
 -003: 1.5M
 -004: 3.0M
 -005: 5.0M
 -006: 7.0M
 -99X: 0.XM(<1.0M)
 (-993: 0.3M)
 -XXX: XX.XM(>1.0M)
 (-155: 15.5M)



DESCRIPTION	TE PN	ENTRELEC PN
MI2A5-FR-PVC-0.5M	TAA754A1611-001	ISET315107R0000
MI2A5-FR-PVC-1.0M	TAA754A1611-002	ISET315108R0000
MI2A5-FR-PVC-2.0M	TAA754A1611-020	ISET315110R0000
MI2A5-FR-PVC-4.0M	TAA754A1611-040	ISET315111R0000
MI2A5-FR-PUR-0.5M	TAA754A5501-001	ISET315115R0000
MI2A5-FR-PUR-1.0M	TAA754A5501-002	ISET315116R0000
MI2A5-FR-PUR-2.0M	TAA754A5501-020	ISET315118R0000
MI2A5-FR-PUR-4.0M	TAA754A5501-040	ISET315119R0000

PIN ARRANGEMENT A-CODE

PIN 4 CAN_H WHITE
 PIN 5 CAN_L BLUE
 PIN 1 DRAIN BARE
 PIN 3 V- BLACK
 PIN 2 V+ RED

CIRCUIT DIAGRAM FEMALE

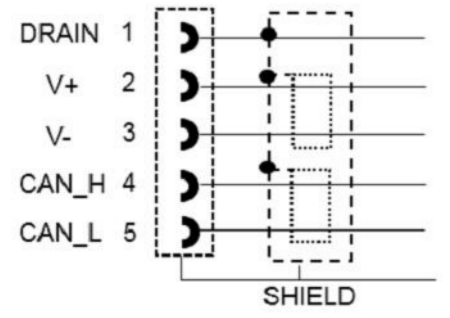
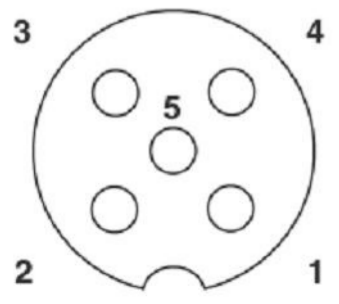


TABLE 1
 TECHNICAL DATA

	TAA754A1611-XXX	TAA754A5501-XXX
RATED VOLTAGE	60V	60V
RATED IMPULSE VOLTAGE	1500V	1500V
RATED CURRENT	4A	4A
POLLUTION DEGREE	3	3
OVERVOLTAGE CATEGORY	II	II
MATERIAL GROUP	II	II
DEGREE OF PROTECTION	IP67	IP67

WIRE CHARACTERISTIC	LENGTH "L"	TYPE	TABLE 2 TE PN
WIRES: 2X22AWG+2X24AWG +1X22 AWG DRAIN WIRE WIRE COLOR: WHITE/BLUE/RED/BLACK OD: APPROX. 6.9MM PUR JACKET, VIOLET OPERATION TEMPERATURE RATING: 80°C UL OPERATION TEMP RATING: -40°C to +80°C DRAG CHAIN TEST: MIN. 0.5 MILLION CYCLES, DIAMETER 75MM, SPEED 2m/s, ACCELERATION 2m/s ²	TYPICAL LENGTH: -001: 0.5M -002: 1.0M -020: 2.0M -040: 4.0M -060: 6.0M -080: 8.0M -007: 10.0M -150: 15.0M CUSTOMIZATION RULES: -003: 1.5M -004: 3.0M -005: 5.0M -006: 7.0M -99X: 0.XM(<1.0M) (-993: 0.3M) -XXX: XX.XM(>1.0M) (-155: 15.5M)	MI2A5-FR-PUR-*** ¹	TAA754A5501-XXX
WIRES: 2X22AWG+2X24AWG +1X22 AWG DRAIN WIRE WIRE COLOR: WHITE/BLUE/RED/BLACK OD: APPROX. 7.1MM TEMPERATURE RATING: 75°C UL OPERATION TEMP RATING: -10°C to +80°C	TYPICAL LENGTH: -001: 0.5M -002: 1.0M -020: 2.0M -040: 4.0M -060: 6.0M -080: 8.0M -007: 10.0M -150: 15.0M CUSTOMIZATION RULES: -003: 1.5M -004: 3.0M -005: 5.0M -006: 7.0M -99X: 0.XM(<1.0M) (-993: 0.3M) -XXX: XX.XM(>1.0M) (-155: 15.5M)	MI2A5-FR-PVC-*** ¹	TAA754A1611-XXX

THIS DRAWING IS A CONTROLLED DOCUMENT.

DIMENSIONS:	TOLERANCES UNLESS OTHERWISE SPECIFIED:
mm	0 PLC ± 1 PLC ± 2 PLC ± 3 PLC ± 4 PLC ± ANGLES ±
MATERIAL	FINISH

ENTRELEC Electrical Solutions

NAME: MI2 A CODE CABLE ASSY, SHIELDED 5P, FR FREE END

APVD: CHRIS WANG

PRODUCT SPEC: 108-106140

APPLICATION SPEC: 114-137144

RESTRICTED TO: A2

SCALE: 2:1 SHEET OF 1 REV A