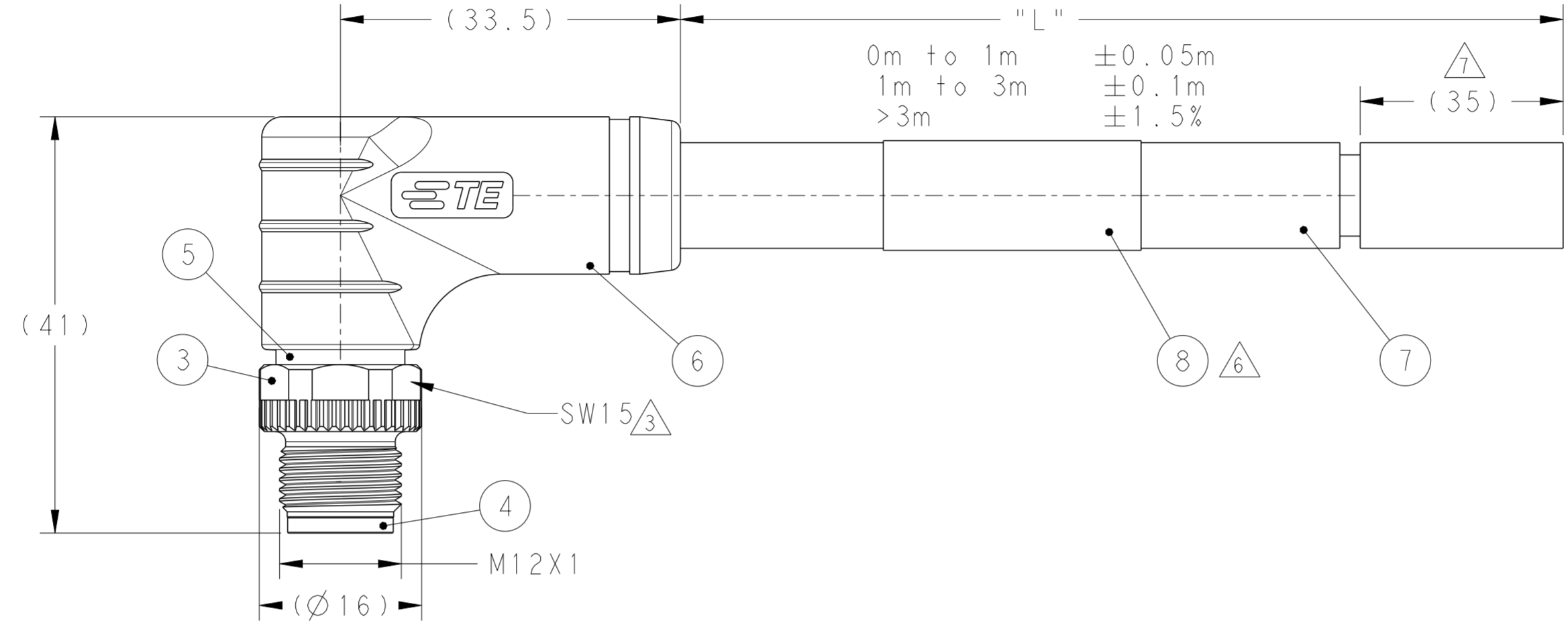


THIS DRAWING IS UNPUBLISHED. RELEASED FOR PUBLICATION
 © COPYRIGHT BY - ALL RIGHTS RESERVED.

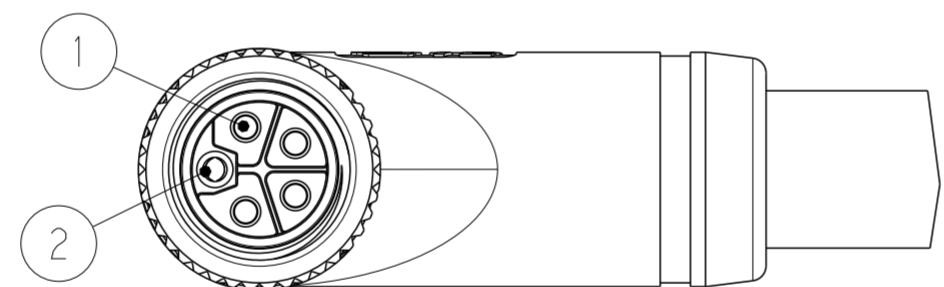
ITEM	DESCRIPTION	MATERIAL	OTHERS
1	MALE CONTACT	COPPER ALLOY	GOLD PLATED
2	FE FEMALE CONTACT	COPPER ALLOY	GOLD PLATED
3	MALE NUT	COPPER ALLOY	NICKEL PLATED
4	MALE HOUSING	NYLON	BLACK 4P GRAY 5P
5	METAL SHELL	COPPER ALLOY	NICKEL PLATED
6	CONNECTOR GRIP	TPU	BLACK
7	CABLE	PVC/PUR JACKET	BLACK OR GRAY
8	LABEL	-	-

REVISIONS				
P	LTR	DESCRIPTION	DATE	APVD
A		NEW RELEASE	01FEB2021	AZ CW
A1		ECR-24-206927 UPDATE STRIPPING METHOD	25APR2024	J.L C.W

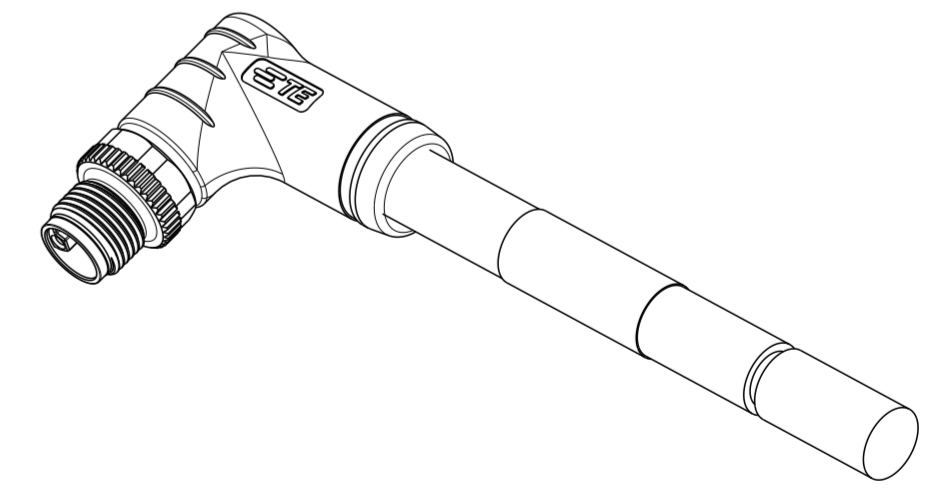
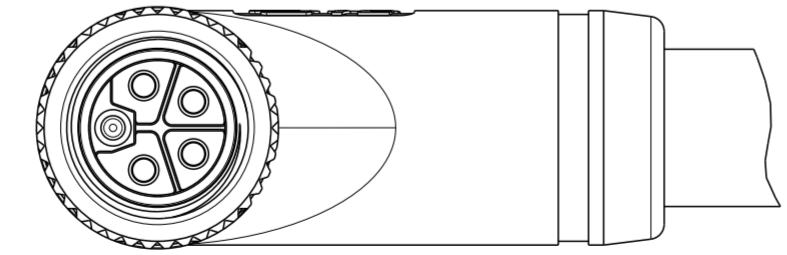


- NOTE:
- △1. TECHNICAL DATA SEE TABLE1
 - △2. CODE POSITION INDICATOR
 - △3. RECOMMENDED TORQUE 0.6 Nm
 - △4. -** : CABLE LENGTH, FOR EXAMPLE: -0.5M
 - 5. CABLE ASSEMBLY TO BE PACKAGED IN POLYBAGS
 - △6. LABEL CONTAINS: PN, DATE CODE
 - △7. SHIELDED: STRIP AND RETAIN THE INSULATION
UNSHIELDED: STRIP ALL THE INSULATION

5 POLE AS SHOWN △2



4 POLE AS SHOWN △2



SCALE 1:1

TABLE 1

TECHNICAL DATA	
RATED VOLTAGE	63V
RATED IMPULSE VOLTAGE	1500V
RATED CURRENT	16A/14AWG 12A/16AWG
POLLUTION DEGREE	3
OVERVOLTAGE CATEGORY	III
DEGREE OF PROTECTION	IP67

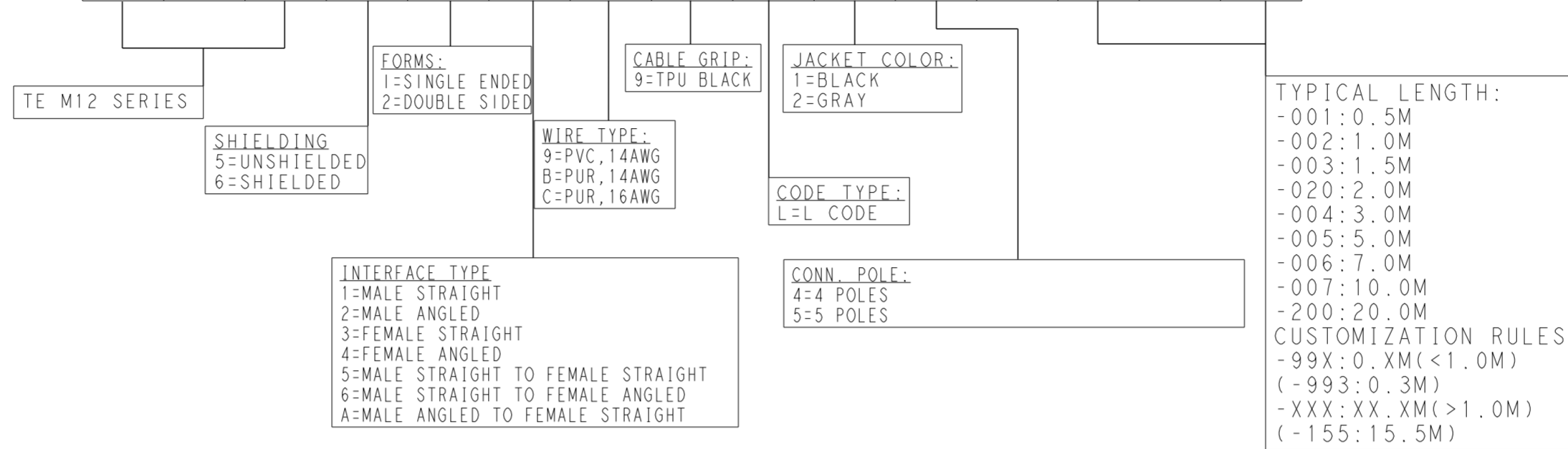
THIS DRAWING IS A CONTROLLED DOCUMENT.		DWN 04NOV2020 ALEX ZHANG	STE TE Connectivity	
		CHK 04NOV2020 HART HE		
DIMENSIONS:		APVD 04NOV2020 CHRIS WANG	NAME M12 L CODE CORDSETS MALE ANGLED	
mm		PRODUCT SPEC 108-137350	SIZE CAGE CODE DRAWING NO RESTRICTED TO	
TOLERANCES UNLESS OTHERWISE SPECIFIED:		APPLICATION SPEC 114-137144	A2 - C-T41X12XXLXXXX	
0 PLC ±1		WEIGHT -	SCALE 2:1 SHEET 1 OF 2 REV A1	
1 PLC ±0.5		CUSTOMER DRAWING		
2 PLC ±0.30				
3 PLC ±				
4 PLC ±				
ANGLES ±				
FINISH -				
-				

THIS DRAWING IS UNPUBLISHED. RELEASED FOR PUBLICATION
 © COPYRIGHT BY - ALL RIGHTS RESERVED.

REVISIONS				
P	LTR	DESCRIPTION	DATE	APVD
-	-	SEE SHEET 1	-	-

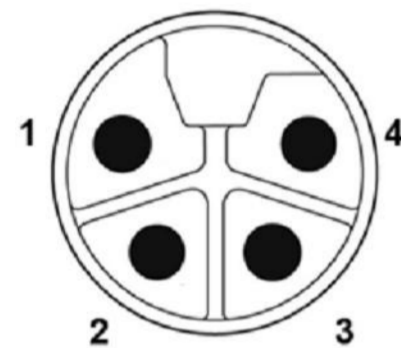
TE PN CODING:

T 4 I X X X X L X X - X X X

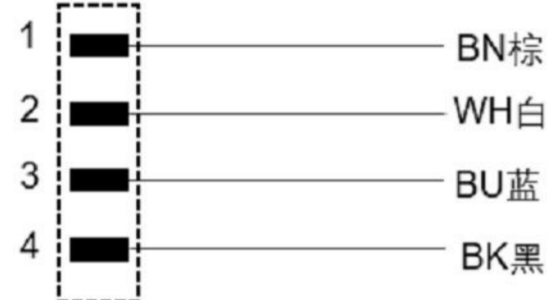


CIRCUIT DIAGRAM
L CODE

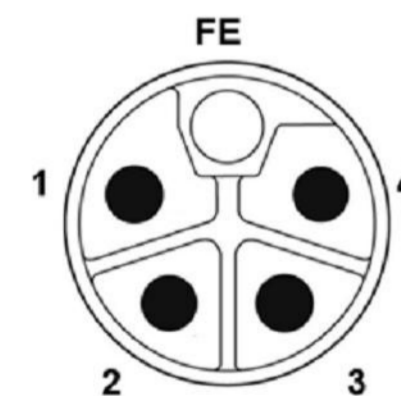
CIRCUIT DIAGRAM UNSHIELDED 4P



MALE



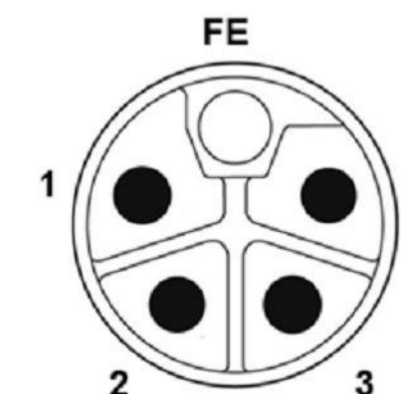
CIRCUIT DIAGRAM UNSHIELDED 5P



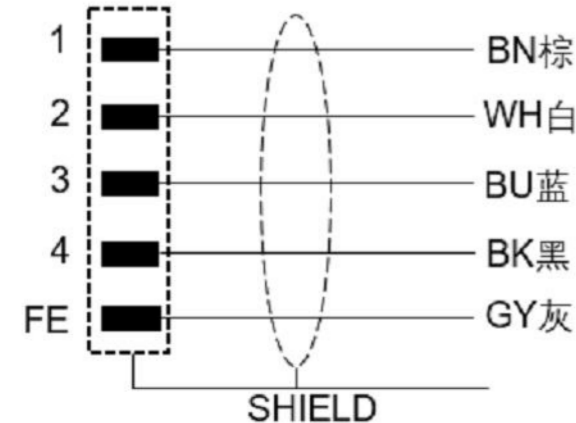
MALE



CIRCUIT DIAGRAM SHIELDED 5P



MALE



WIRES: 5X14AWG
 JACKET: PUR GRAY
 WIRE COLOR: BROWN/WHITE/BLUE/BLACK/GRAY
 OD: APPROX. 10.40mm
 TEMPERATURE RATING: 80°C UL
 TEMP RATING:
 -50°C TO +80°C FIXED
 -30°C TO +80°C MOVED
 SUITABLE FOR DRAG CHAIN APPLICATIONS

WIRES: 5X16AWG
 JACKET: PUR GRAY
 WIRE COLOR: BROWN/WHITE/BLUE/BLACK/GRAY
 OD: APPROX. 9.10mm
 TEMPERATURE RATING: 80°C UL
 TEMP RATING:
 -50°C TO +80°C FIXED
 -30°C TO +80°C MOVED
 SUITABLE FOR DRAG CHAIN APPLICATIONS

WIRES: 5X14AWG
 JACKET: PUR GRAY
 WIRE COLOR: BROWN/WHITE/BLUE/BLACK/GRAY
 OD: APPROX. 9.65mm
 TEMPERATURE RATING: 80°C UL
 TEMP RATING:
 -50°C TO +80°C FIXED
 -30°C TO +80°C MOVED
 SUITABLE FOR DRAG CHAIN APPLICATIONS

WIRES: 5X14AWG
 JACKET: PVC GRAY
 WIRE COLOR: BROWN/WHITE/BLUE/BLACK/GRAY
 OD: APPROX. 10.1mm
 TEMPERATURE RATING: 80°C UL
 TEMP RATING:
 -40°C TO +80°C FIXED
 -20°C TO +80°C MOVED

WIRES: 4X16AWG
 JACKET: PUR BLACK
 WIRE COLOR: BROWN/WHITE/BLUE/BLACK
 OD: APPROX. 8.4mm
 TEMPERATURE RATING: 80°C UL
 TEMP RATING:
 -50°C TO +80°C FIXED
 -30°C TO +80°C MOVED
 SUITABLE FOR DRAG CHAIN APPLICATIONS

WIRES: 4X14AWG
 JACKET: PVC BLACK
 WIRE COLOR: BROWN/WHITE/BLUE/BLACK
 OD: APPROX. 9.5mm
 TEMPERATURE RATING: 80°C UL
 TEMP RATING:
 -40°C TO +80°C FIXED
 -20°C TO +80°C MOVED

TYPICAL LENGTH:
 -001: 0.5M
 -002: 1.0M
 -003: 1.5M
 -020: 2.0M
 -004: 3.0M
 -005: 5.0M
 -006: 7.0M
 -007: 10.0M
 -200: 20.0M
 CUSTOMIZATION RULES:
 -99X: 0.XM (<1.0M)
 (-993: 0.3M)
 -XXX: XX.XM (>1.0M)
 (-155: 15.5M)

CABLE CHARACTERISTIC	LENGTH "L"	TYPE	POS.	HSG COLOR	SHIELDING	TABLE 2 TE PN
		RPC-M12L-5MR-**-SH PUR 14AWG GY	4	5	GRAY	Y T41612B9L25-XXX
		RPC-M12L-5MR-**-PUR 16AWG GY	4	5	GRAY	N T41512C9L25-XXX
		RPC-M12L-5MR-**-PUR 14AWG GY	4	5	GRAY	N T41512B9L25-XXX
		RPC-M12L-5MR-**-PVC 14AWG GY	4	5	GRAY	N T4151299L25-XXX
		RPC-M12L-4MR-**-PUR 16AWG BK	4	4	BLACK	N T41512C9L14-XXX
		RPC-M12L-4MR-**-PVC 14AWG BK	4	4	BLACK	N T4151299L14-XXX

THIS DRAWING IS A CONTROLLED DOCUMENT.

DIMENSIONS: mm	TOLERANCES UNLESS OTHERWISE SPECIFIED: 0 PLC ±1 1 PLC ±0.5 2 PLC ±0.30 3 PLC ± 4 PLC ± ANGLES ± FINISH
MATERIAL	

DWN ALEX ZHANG 04NOV2020	CHK HART HE 04NOV2020	APVD CHRIS WANG 04NOV2020
PRODUCT SPEC 108-137350		
APPLICATION SPEC 114-137144		
WEIGHT	-	
CUSTOMER DRAWING		

TE Connectivity			
NAME M12 L CODE CORDSETS MALE ANGLED			
SIZE A2	CAGE CODE -	DRAWING NO G-T41X12XXLXXXX	RESTRICTED TO -
SCALE 1:1		SHEET 2 OF 2	REV A1