

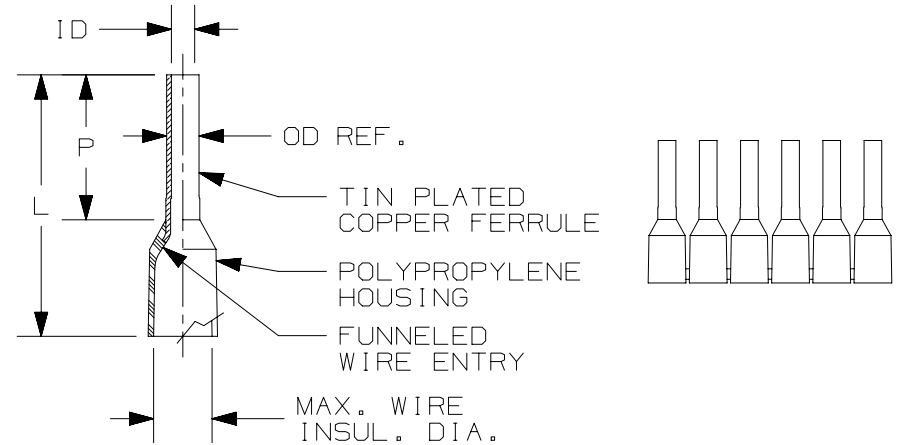
THIS COPY IS PROVIDED ON A RESTRICTED BASIS AND IS NOT TO BE USED IN ANY WAY DETRIMENTAL TO THE INTERESTS OF PANDUIT CORP.

PANDUIT PART #	WIRE RANGE		REEL QTY.	COLOR (DIN)	MAX. WIRE INSUL. DIA.	WIRE CLASS	DIMENSIONS in. [mm]				CP-881 INSERTS	SCA-71202 2002 (CA10) DIE SET	UNI-M DIE SET	** UNI-M (JM9D) INSERTER KIT/ *** UNI-M (JVD) FUNNEL KIT
	AWG	[mm ²]					L	P	OD (REF.)	ID				
FSD73-8-K	24	[0,25]	1000	YELLOW	.07 [1,8]	B, K, M	.57 [14,5]	.31 [8,0]	.05 [1,3]	.03 [0,8]	++CP-881-KIT4	--	ALL ONE DIE SET	--
FSD74-8-K	22	[0,34]	1000	TURQUOISE	.07 [1,8]	B, K, M	.57 [14,5]	.31 [8,0]	.05 [1,3]	.03 [0,8]	CP-881-KIT4			
+ FSD75-8-K	20	[0,50]	1000	WHITE	.09 [2,4]	B, K, M	.57 [14,5]	.31 [8,0]	.06 [1,4]	.04 [1,1]	WHITE INSERTS	SCA-712002005WE (CD10-1)	ALL ONE DIE SET	APM-K008701/ APM-K017697
FSD76-8-K	18	[0,75]	1000	GRAY	.10 [2,6]	B, K, M	.57 [14,5]	.31 [8,0]	.06 [1,6]	.05 [1,3]	GRAY INSERTS			APM-K008175/ APM-K015949
FSD77-8-K	-	[1,0]	1000	RED	.11 [2,8]	B, K, M	.57 [14,5]	.31 [8,0]	.07 [1,8]	.06 [1,5]	RED INSERTS	SCA-712002006WE (CD10-2)	ALL ONE DIE SET	APM-K006667/ APM-K017698
FSD78-8-K	16	[1,5]	1000	BLACK	.13 [3,2]	B, K, M	.57 [14,5]	.31 [8,0]	.08 [2,1]	.07 [1,8]	BLACK INSERTS			
FSD80-8-DK	14	[2,5]	500	BLUE	.15 [3,9]	B, K, M	.57 [14,5]	.31 [8,0]	.10 [2,6]	.09 [2,3]	BLUE INSERTS	SCA-71200 2007WE (CD10-3)	ALL ONE DIE SET	APM-K008585/ APM-K017699

** INSERTER KIT OPTIONAL. (MRSP1516JM9D)
 *** VERTICAL FUNNEL KIT OPTIONAL. (APM-MRSP1516JVD/APM-MRSP1516PAN)
 + UL LISTED WITH 20 AWG ONLY, WHITE IS DIN COLOR FOR 20 AWG [0,5]
 ++ ONLY COMPATIBLE WITH CERTAIN WIRE TYPES AND DIAMETERS.
 CONTACT SALES OR CUSTOMER SERVICE FOR A DEMONSTRATION UNIT.

NOTES:

- USED FOR:
 - UL LISTED WITH STRANDED COPPER WIRE 20 - 1/0 AWG ONLY
 - 221°F (105°C) MAX. OPERATING TEMPERATURE
- INSTALLATION TOOLS PANDUIT APPROVED:
 - CA10 APPLICATOR WITH CP-871 OR EQUIVALENT PRESS
 - CP-881 STRIP AND CRIMP UNIT
 - SCA-712022002 (CA10) APPLICATOR WITH UC200 OR EQUIVALENT PRESS
 - UNI-M APPLICATOR (MRSP1516JM9D) WITH UC200 OR EQUIVALENT PRESS
 - UNI-M APPLICATOR (MRSP1516JVD) WITH UC200 OR EQUIVALENT PRESS
- WIRE STRIP LENGTH: 13/32 ^{+1/32} [10 ^{+0,8} ₋₀]
- MATERIAL:
 - STAMPING: COPPER, TIN PLATED
 - HOUSING: POLYPROPYLENE, COLOR CODED
 - COLOR CODE CONFORMS TO DIN STANDARD
- SEE www.panduit.com FOR PACKAGE QUANTITIES
- DIMENSIONS IN BRACKETS ARE IN MILLIMETERS
- PARTS CONFORM TO DIN 46228 PART 4



PART NUMBER	SEE TABLE
TITLE	FERRULES WITH SLEEVES ON MINI REEL (DIN) CUSTOMER DRAWING
ITEM REVISION NAME	N41755BA/15
DATASET FILE NAME	N41755BA_DC/15A
MATERIAL	SEE NOTES
DRAWING NUMBER	A41755
THIRD ANGLE PROJECTION	
DRAWN BY	SRB
DATE	01-11
CHK	-
SCALE	N.T.S
SHEET 1 OF 1	A

REV	DATE	BY	CHK	APR	DESCRIPTION	ECN
15A	08-13/24	MRWA	ASY		REMOVED "*" AND CORRESPONDING NOTE FOR FSD73-8-K & FSD74-8-K FERRULES INDICATING THEY WERE NOT UL APPROVED	N41755BA/15
14A	08-21-23	DPOI	JBN	MRWA ASY	ADDED UL ENHANCED MARK - US, CA & UPDATE BORDER.	128785/01

A-SIZE CUSTOMER

B

A