

FIGURE 1

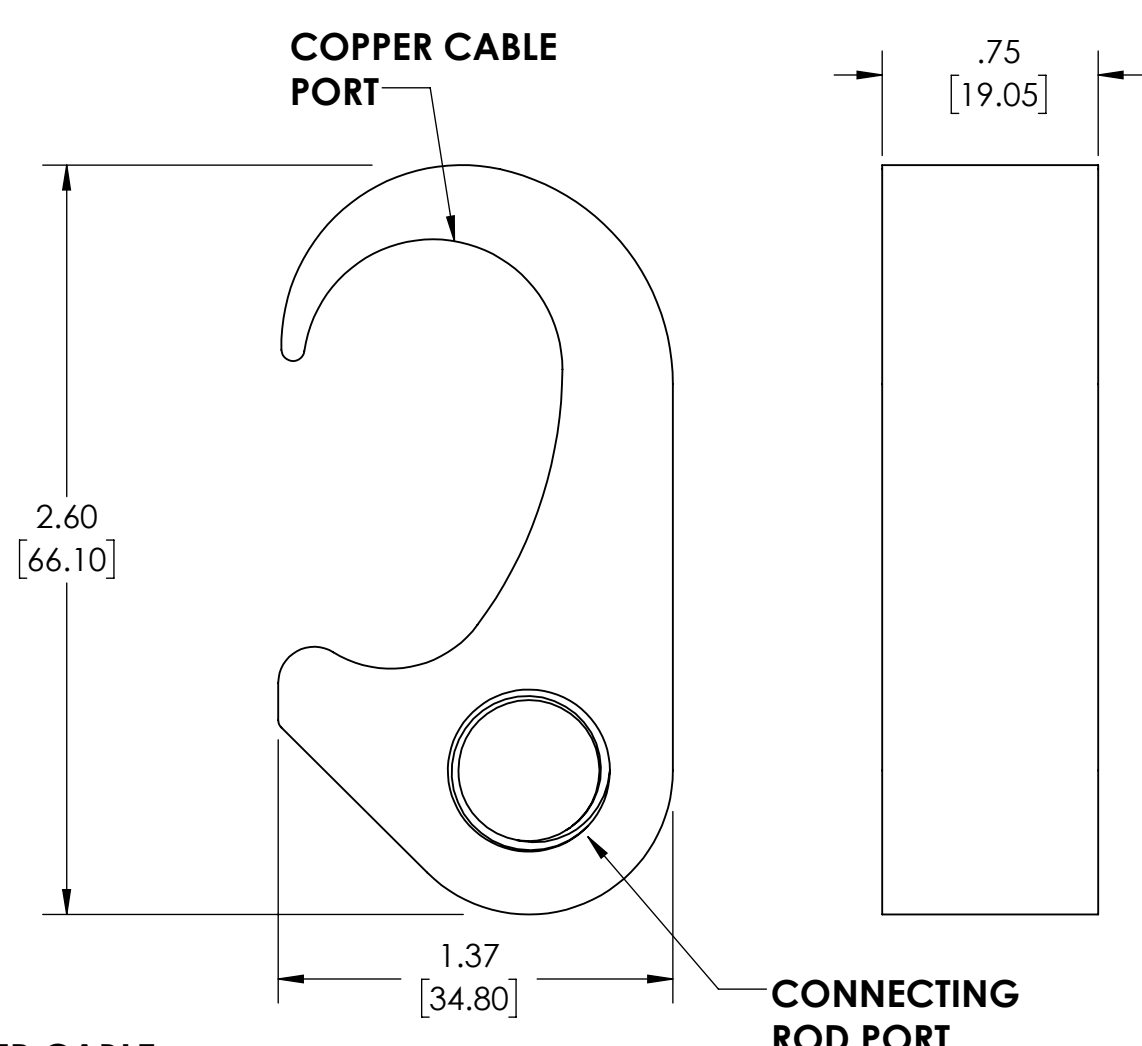


FIGURE 2

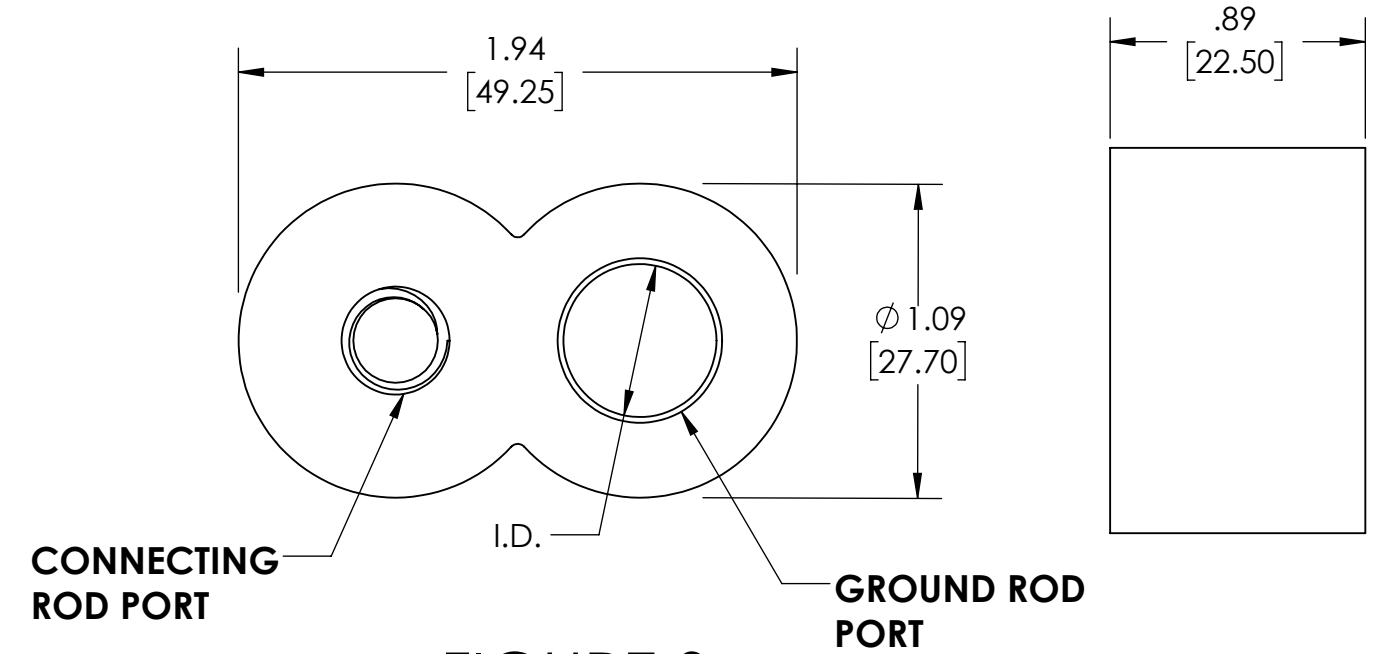


FIGURE 3

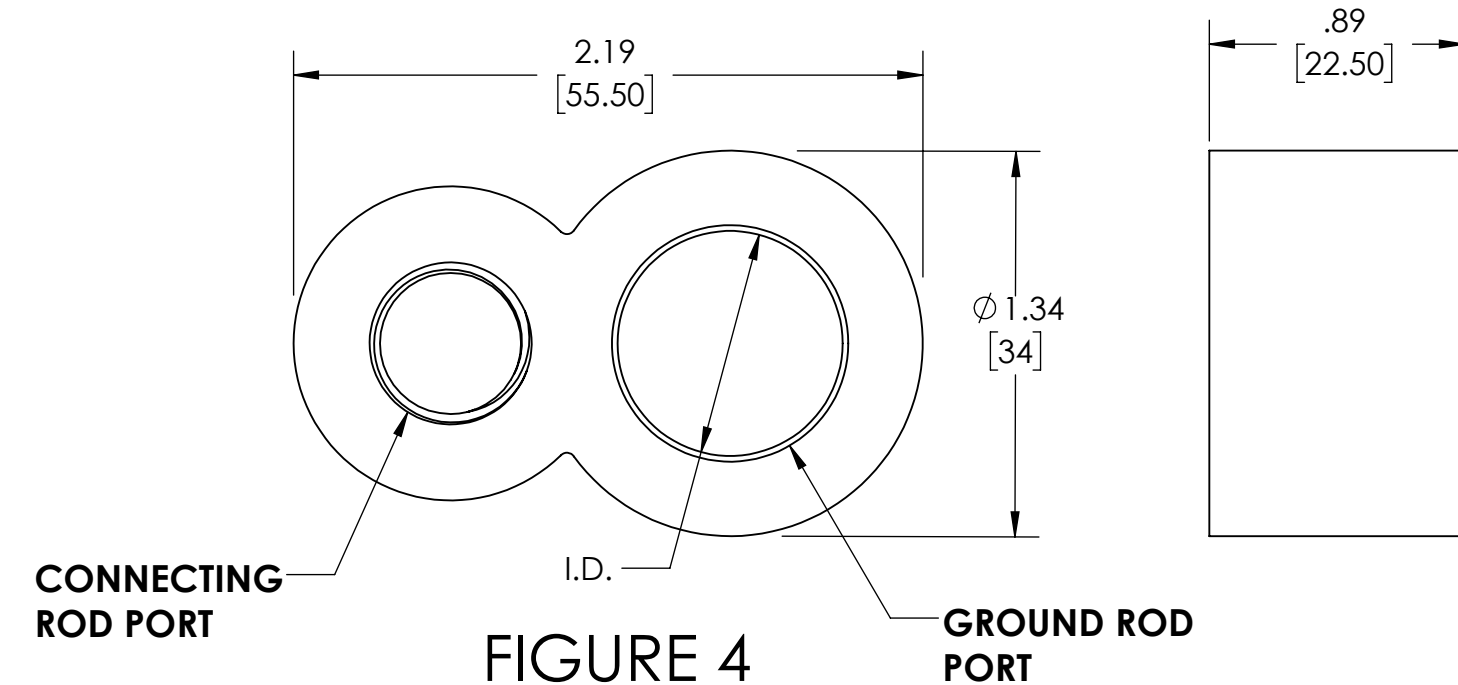


FIGURE 4

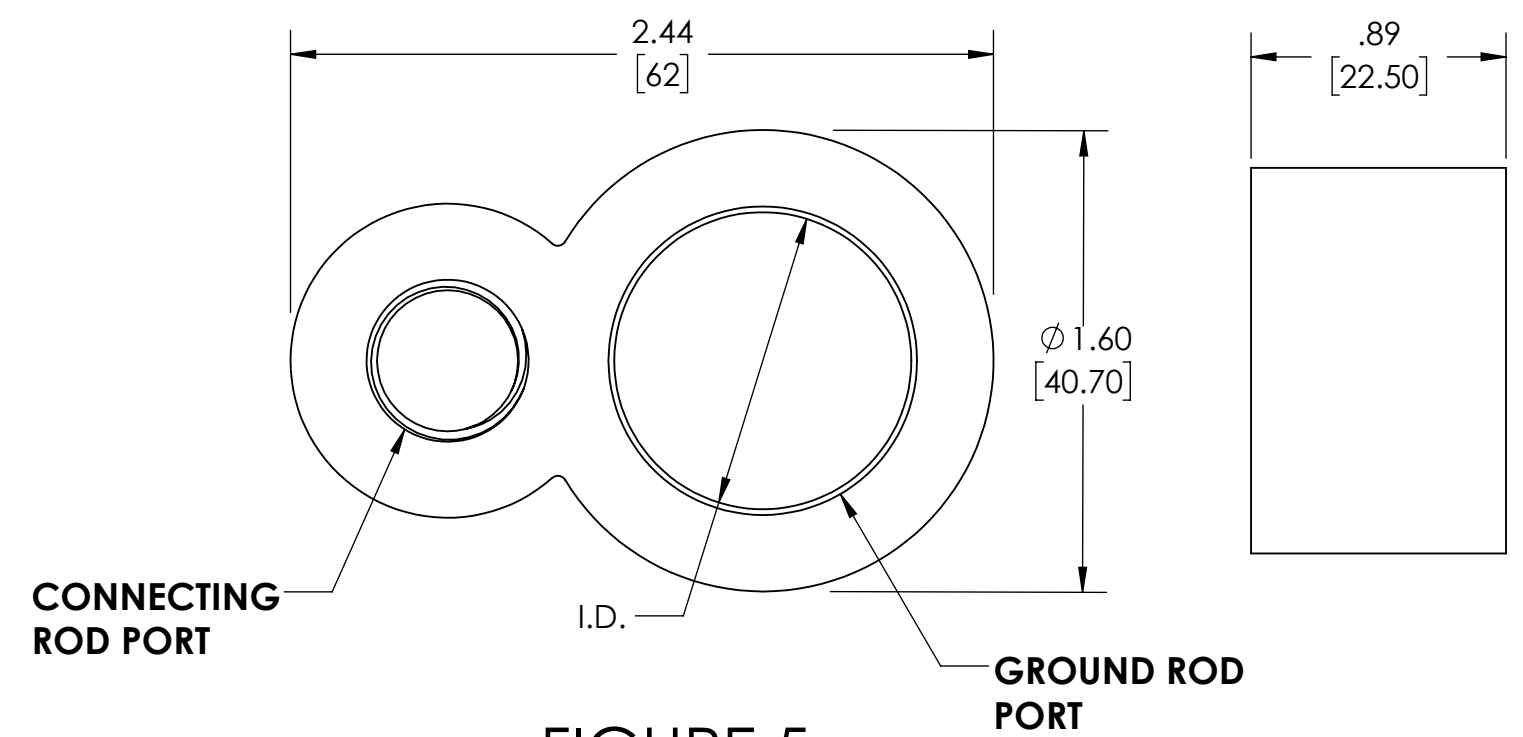
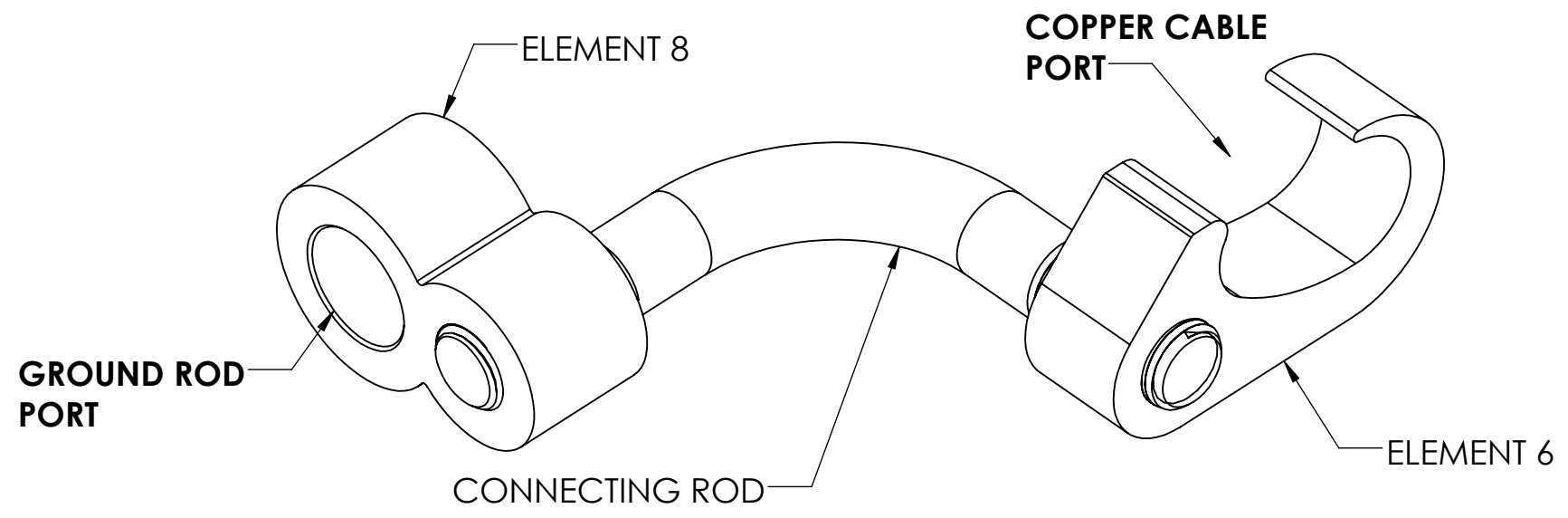


FIGURE 5



PANDUIT PART NUMBER	COPPER CABLE - AWG (METRIC)	NOMINAL GROUND ROD SIZE	ASSEMBLY				PANDUIT DIE COLOR CODE & INDEX (QTY OF CRIMPS)		STD. PKG. QTY.
			ELEMENT 6	ELEMENT 8	I.D. IN [mm]	CONNECTING ROD SIZE	ELEMENT 6	ELEMENT 8	
GCC8-1/2-250	SOLID: N/A STRANDED: 2 AWG - 250 kcmil (35-120 sq mm)	1/2" ROD (12.7mm)	FIGURE 1	FIGURE 3	0.53 [13.5]	3/8" ROD	BLACK PG25 (1)	BLACK P106 (1)	1
GCC8-5/8-250		5/8" ROD (15.9mm)		FIGURE 3	0.66 [16.7]	3/8" ROD		1	
GCC8-3/4-250		3/4" ROD (19.1mm)		FIGURE 4	0.78 [19.8]	9/16" ROD		1	
GCC8-1-250		1" ROD (25.4mm)		FIGURE 5	1.03 [26.2]	9/16" ROD		1	
GCC8-1/2-500	SOLID: N/A STRANDED: 250-500 kcmil (150-240 sq mm)	1/2" ROD (12.7mm)	FIGURE 2	FIGURE 3	0.53 [13.5]	3/8" ROD	BLUE PG50 (1)	BLACK P106 (1)	1
GCC8-5/8-500		5/8" ROD (15.9mm)		FIGURE 3	0.66 [16.7]	3/8" ROD		1	
GCC8-3/4-500		3/4" ROD (19.1mm)		FIGURE 4	0.78 [19.8]	9/16" ROD		1	
GCC8-1-500		1" ROD (25.4mm)		FIGURE 5	1.03 [26.2]	9/16" ROD		1	

- NOTES:
- DIMENSIONS IN PARENTHESIS ARE MILLIMETERS.
 - ALL PARTS ARE cULus LISTED FOR UL 467 GROUNDING AND BONDING APPLICATIONS.
 - ALL PARTS ARE SUITABLE FOR DIRECT BURIAL IN EARTH OR CONCRETE.
 - PRE-APPLIED ANTIOXIDANT COMPOUND ENSURES A HIGH QUALITY MECHANICAL AND ELECTRICAL BOND, SPEEDING INSTALLATION.
 - FOR TIN PLATED VERSION, ADD SUFFIX "TP" TO ANY PART NUMBER ABOVE. TIN PLATED CONNECTORS ARE FOR GALVANIZED GROUND ROD APPLICATIONS.
 - ALL PARTS ARE SUITABLE FOR USE WITH COPPER CLAD, AND STAINLESS STEEL GROUND RODS. TIN PLATED VERSIONS ARE ADDITIONALLY COMPATIBLE WITH GALVANIZED STEEL GROUND RODS.



REV	DATE	BY	CHK	APR	DESCRIPTION	ECN
02	1/19	DAOS	JHNU	RGB	REVISED METRIC WIRE RANGE, DELETED SOLID COPPER GROUND ROD FROM NOTE 4	
01	12/18	DAOS	JHNU	RGB	ADDED NOTE 6	
00	8/18	DAOS	JHNU	RGB	INITIAL RELEASE	

TITLE		FIGURE 8 TO 6 SERIES COPPER COMPRESSION GROUNDING TAP CONNECTORS	
ITEM REVISION NAME		00195EAQ/02	
DATASET FILE NAME		00195EAQ-DC/02.SLDDRW	
UNLESS OTHERWISE SPECIFIED, DIMENSIONAL TOLERANCES ARE: IN [mm]		.X ± .XXX ± .XX ± ANGLES ±	
DRAWN BY		DAOS	
DATE		8/23/18	
CHK		JHNU	
SCALE		N/A	
THIRD ANGLE PROJECTION			
DRAWING NUMBER		00195EAQ-DC	
SHEET 1 OF 1			