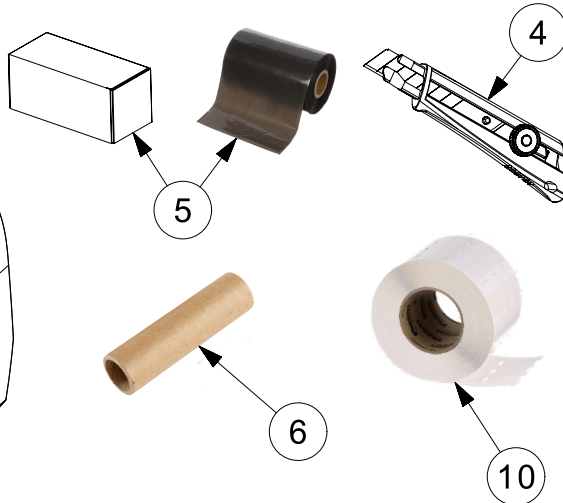
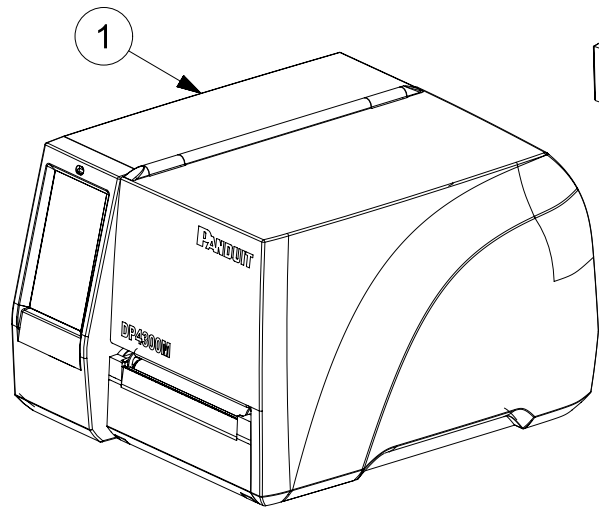
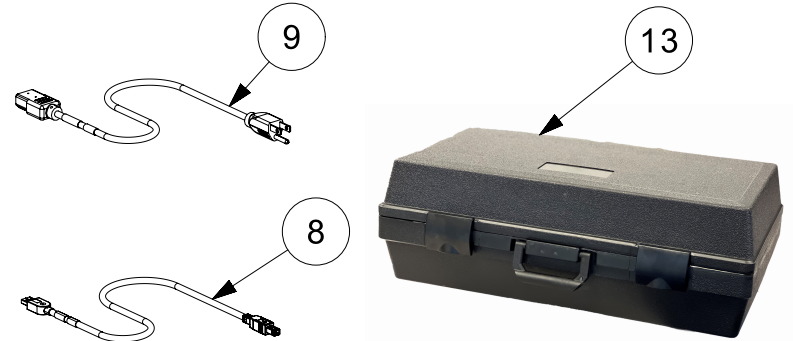
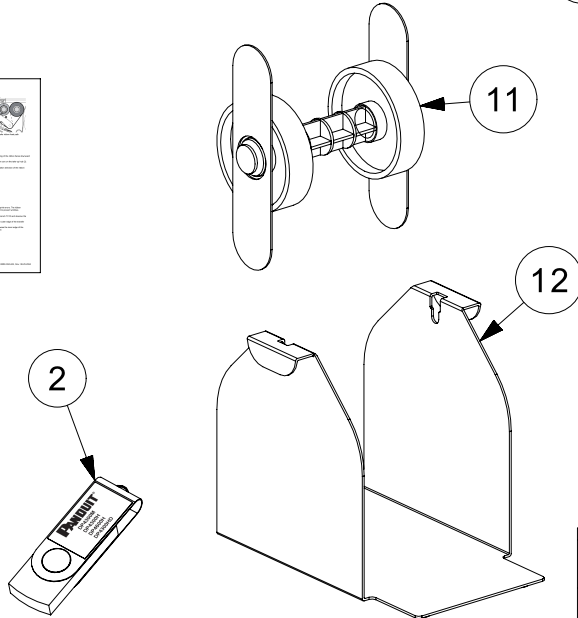
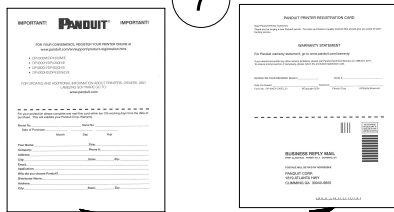
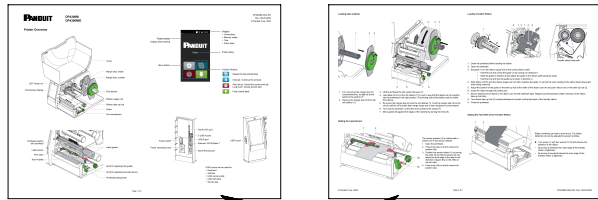


THIS COPY IS PROVIDED ON A RESTRICTED BASIS AND IS NOT TO BE USED IN ANY WAY DETRIMENTAL TO THE INTERESTS OF PANDUIT CORP.



DP4300M-KIT DEMO PACKAGE CONTENTS			
ITEM	PART	DESCRIPTION (INCLUDES ACCESSORIES)	QTY
1	DP4300M	MEDIUM VOLUME DESKTOP INDUSTRIAL THERMAL TRANSFER PRINTER	1
2	DP-USB-RM	USB FLASH DRIVE	1
3	DP-WNTY-CARD	WARRANTY CARD	1
4	KNIFE	SNAP-BLADE STYLE KNIFE	1
5	RMEH4BL	INK RIBBON, HYBRID AND PACKAGING BOX	1
6	CORE	CORE, EMPTY RIBBON	1
7	DP4300M-QSG-EN	QUICK-START GUIDE	1
8	COMMUNICATION CABLE	USB CABLE	1
9	POWER CORD	NORTH AMERICAN POWER CORD	1
10	S100X150VATY	LABEL, THERMAL TRANSFER, SELF-LAMINATING VINYL 1.00" W x 1.50" H, 0.50" POA CLEAR/ WHITE	1
11	023-13P013-240	EXTERNAL ROLLER STAND SIDE PLATES KIT	1
12	GMTDP43ME-RS	MEDIA STAND	1
13	DP4300M-CASE	CARRYING CASE AND INTERIOR FOAM, SUPPLIER (FLAMBEAU CORP.)	1



NOTES:  
 1. VISIT OUR ON-LINE CATALOG AT [WWW.PANDUIT.COM](http://WWW.PANDUIT.COM) FOR A LIST OF CURRENT PARTS APPLICABLE FOR USE WITH THIS PRODUCT.

TITLE		DP4300M-KIT INDUSTRIAL THERMAL TRANSFER PRINTER, NORTH AMERICAN CUSTOMER DRAWING		
ITEM REVISION NAME		01297FAA/00		
DATASET FILE NAME		01297FAA_DC/00A		
UNLESS OTHERWISE SPECIFIED, DIMENSIONAL TOLERANCES ARE: IN [ mm ]		MATERIAL: VARIOUS		
.x ± .12 [ 3.05 ] .xxx ± .025 [ .635 ]		DRAWING NUMBER: 01297FAA_DC		
.xx ± .062 [ 1.57 ] ANGLES ±		THIRD ANGLE PROJECTION		
DRAWN BY	DATE	CHK	SCALE	SIZE
RVU	1/13/2025	MSAD	NTS	A
REV		DESCRIPTION		ECN
00	3/4/2025	RVU	ANRO MSAD DRAWING RELEASE.	GAECN07308

D10100DA/20