

THIS COPY IS PROVIDED ON A RESTRICTED BASIS AND IS NOT TO BE USED IN ANY WAY DETRIMENTAL TO THE INTERESTS OF PANDUIT CORP.

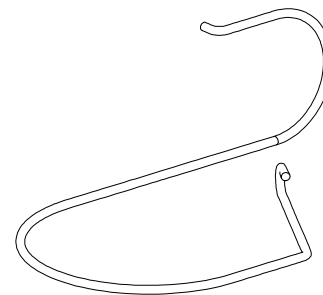
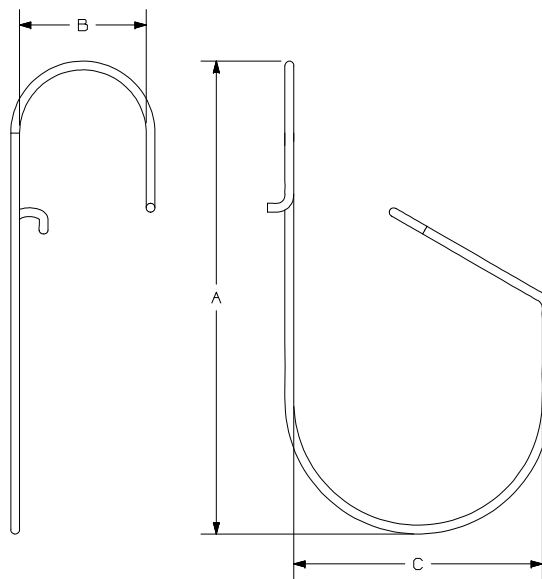
△ A △ D

PART NUMBER	"A" in. (mm)	"B" in. (mm)	"C" in. (mm)	WIRE DIAMETER in. (mm)
WH20SS-90-M	3.81 (96.7)	1.02 (25.9)	2.00 (50.8)	0.071 (1.80)

NOTES:

1. MATERIAL: 0.071" (1.8MM) 304 STAINLESS STEEL
2. SIZED TO ACCOMMODATE A PRE-DRILLED HOLE IN THE SOLAR FRAME.
3. CLOSED CHANNEL PROVIDES 2" (50.8MM) BUNDLE CAPACITY.
4. NO INSTALLATION TOOL REQUIRED.
5. WEIGHT: 5.1 G
6. 1000 PARTS PER CARTON. NO BAGS.
7. cULus LISTED TO UL1565 UNDER FILE E136577.

△ B
△ E



PART NUMBER WH20SS-90-M

REV	DATE	BY	CHK	APR	DESCRIPTION	ECN
00C	8-14-24	MSAN	RMHI	DJSL	E. ADDED NOTE 7. D. CORRECTED PART NUMBER WH20SS-90-M.	135685/01
00B	11-15-23	MSAN	MDS	DJSL	C. CHANGED TITLE TO SINGULAR. B. CHANGED NOTE 6 FROM BAG TO CARTON. CHANGED NOTE 5 REMOVING "(BOTH PARTS)" A. REMOVED WH20SS-M PART NUMBER FROM DRAWING.	135685/00
00A	8/9/2023	MSAN	MDS	DJSL	DRAWING RELEASED	

TITLE		SOLAR 2" WIRE HANGER △ C	
ITEM REVISION NAME		CUSTOMER DRAWING	
DATASET FILE NAME		01331EBD/00	
01331EBD-DC/00C		PANDUIT	
UNLESS OTHERWISE SPECIFIED, DIMENSIONAL TOLERANCES ARE: IN (mm)		MATERIAL	
.X ± .1 [2.54] .XXX ± .010 [.250] .XX ± .05 [1.27] ANGLES ± 1°		SEE NOTE	
THIRD ANGLE PROJECTION		DRAWING NUMBER:	
01331EBD-DC		SIZE	
SHT 1 OF 1		B	

2

1