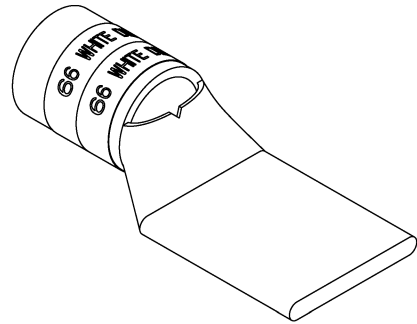
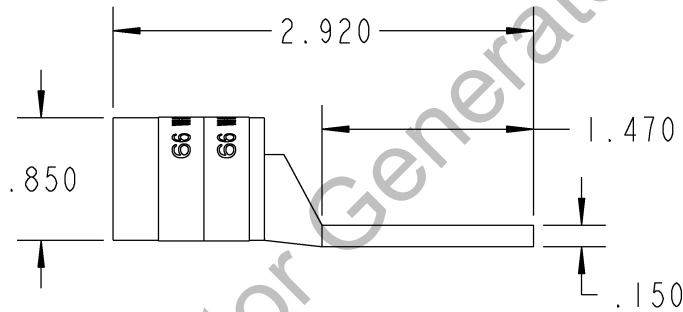
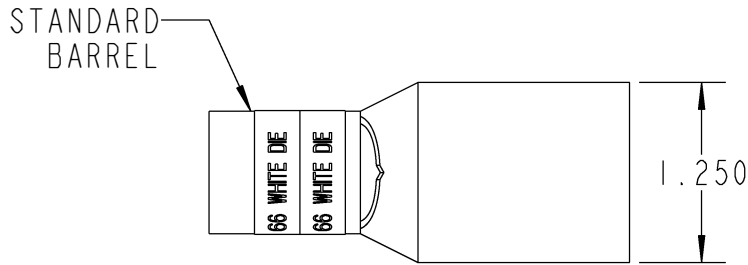


Color-Keyed[®]

CATALOG NO. 54181BTSP



WIRE SIZE: 300 MCM, 4/0 WELD, 650/24
 MATERIAL: HIGH CONDUCTIVITY COPPER
 FINISH: SILVER PLATED

Configurator Generated

GENERAL NOTES		Thomas & Betts <small>www.tnb.com</small>				
1. ALL DIMENSIONS ARE FOR REFERENCE ONLY. 2. DIMENSIONS IN BRACKETS [] ARE IN METRIC UNITS.						
REVISIONS		0 HOLE LUG				
** SEE ERN (****) FOR APPROVAL SIGNATURES & RELEASE DATE. PROJECT NO: ****		DESCRIPTION:	ORIGINAL PROJECT NO / (ERN NO)	SHEET NO:	REV. NO:	DRAWING NO: WSD-002046
			/ ()	1 OF 1	0	54181BTSP