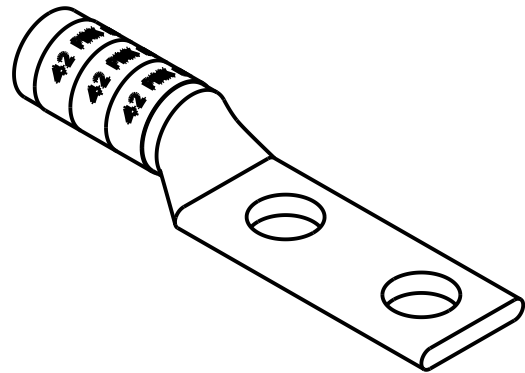
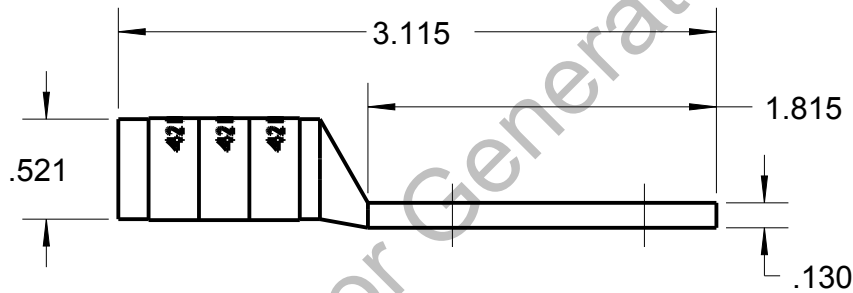
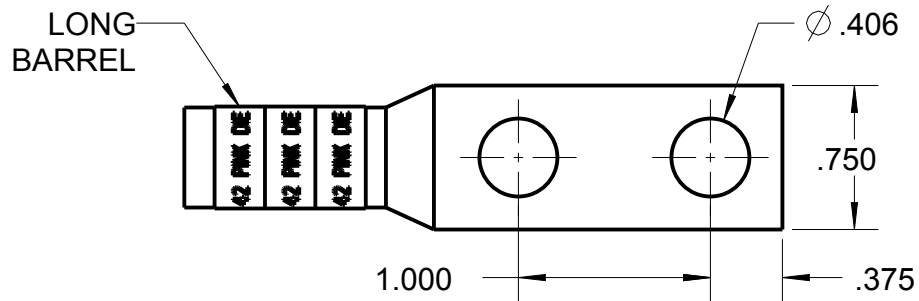


Blackburn Compression

Featuring the Color-Keyed® System

CATALOG NO. 54860BE0616PF



WIRE SIZE: 1/0
 MATERIAL: HIGH CONDUCTIVITY COPPER
 FINISH: PLAIN (NO) FINISH

GENERAL NOTES		Thomas & Betts www.tnb.com			
1. ALL DIMENSIONS ARE FOR REFERENCE ONLY. 2. DIMENSIONS IN BRACKETS [] ARE IN METRIC UNITS.					
REVISIONS		DESCRIPTION: 2 HOLE LUG			
** SEE ERN (****) FOR APPROVAL SIGNATURES & RELEASE DATE. PROJECT NO: ****		ORIGINAL PROJECT NO / (ERN NO)	SHEET NO:	REV. NO:	DRAWING NO: WSD-002377
		/ ()	1 OF 1	B	54860BE0616PF