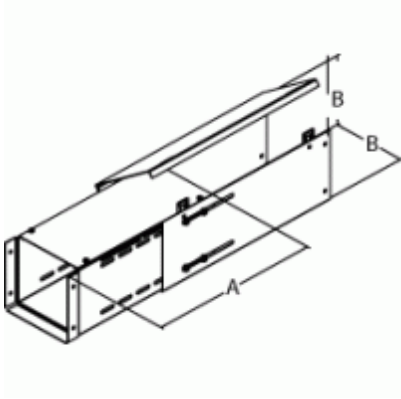




Quality Products. Service Excellence.

Telescope Fitting CWTL Series



Painted Steel

| Part No. | For use with |
|----------|--------------|
| CWTL2 | 2.5 x 2.5 |
| CWTL4 | 4 x 4 |
| CWTL6 | 6 x 6 |
| CWTL8 | 8 x 8 |
| CWTL10 | 10 x 10 |
| CWTL12 | 12 x 12 |

Unpainted Galvanized

| Part No. | For use with |
|----------|--------------|
| CWTL2G | 2.5 x 2.5 |
| CWTL4G | 4 x 4 |
| CWTL6G | 6 x 6 |
| CWTL8G | 8 x 8 |
| CWTL10G | 10 x 10 |
| CWTL12G | 12 x 12 |

Data subject to change without notice

© 2021. Hammond Manufacturing Ltd. All rights reserved.