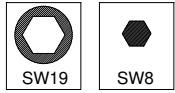




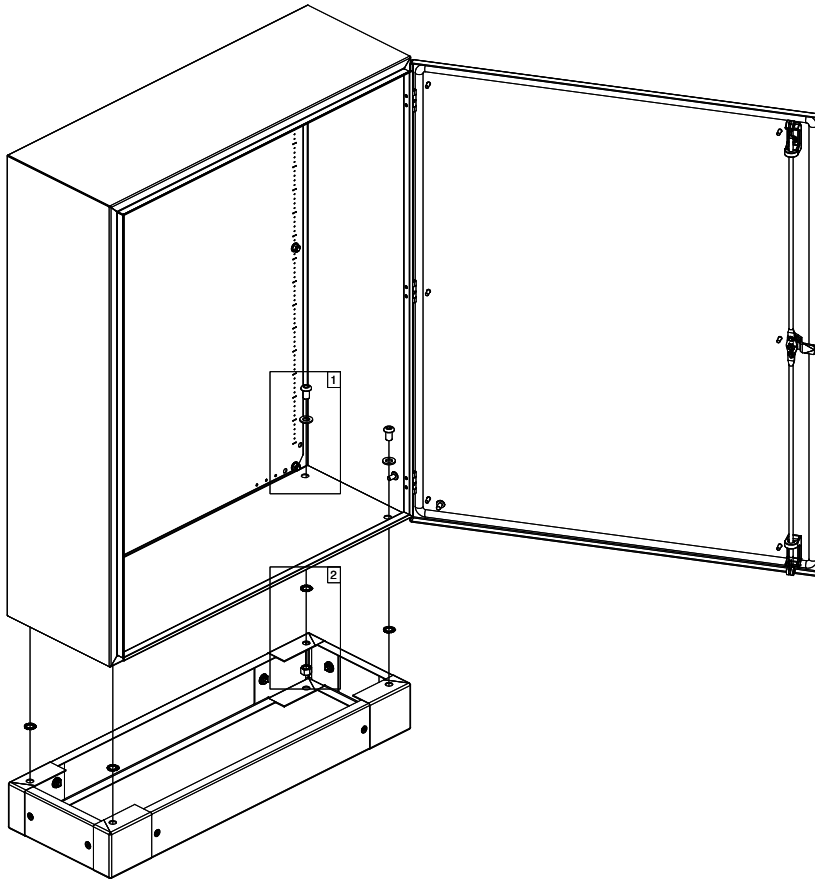


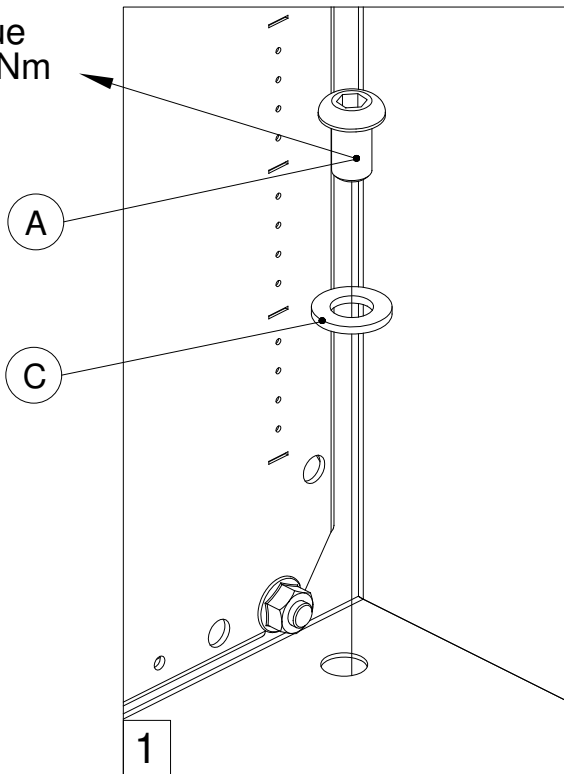
# MSVS



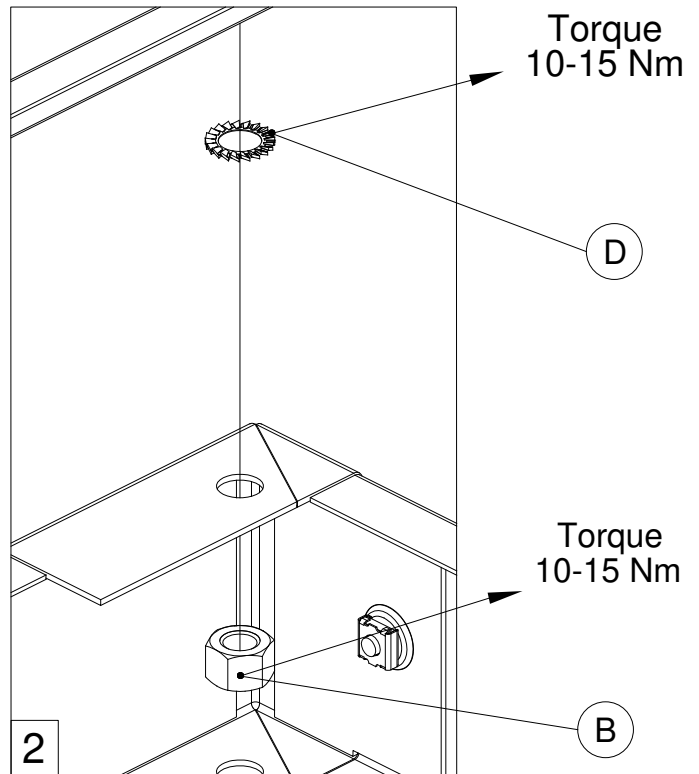
Ref.	Pic.	Qty.
A	 M12	4
B	 M12	4
C	 M12	4
D	 M12	4

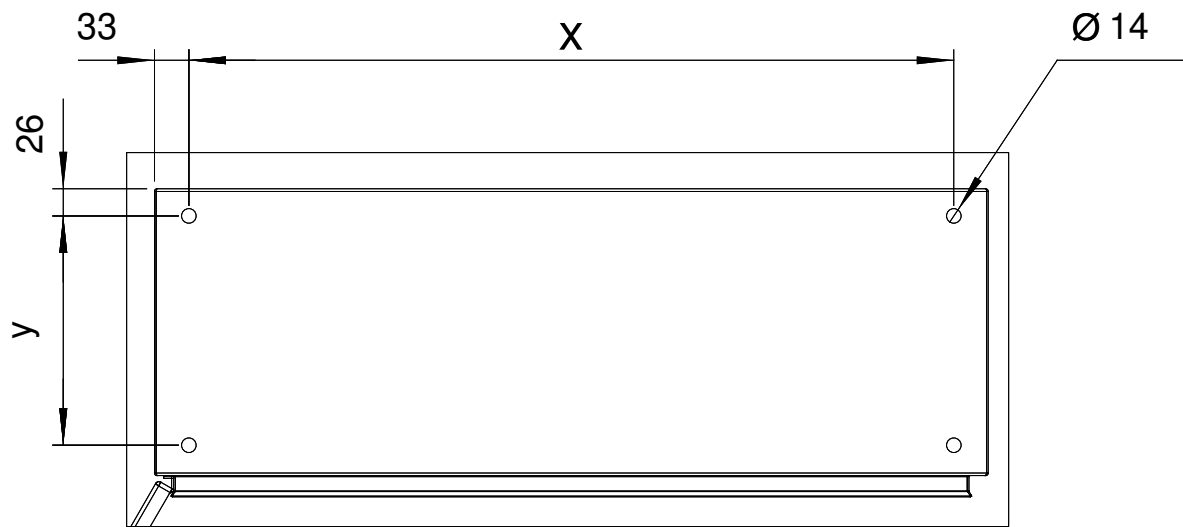


Torque  
10-15 Nm



Torque  
10-15 Nm





### Cut-out dimensions

Nr. Crt.	Item	x(mm)	y (mm)
1.	MSVS1063/MSVS1063-316	534	220
2.	MSVS1083/MSVS1083-316	734	220
3.	MSVS1084/MSVS1084-316	734	320
4.	MSVS1103/MSVS1103-316	934	220
5.	MSVS1123/MSVS1123-316	1134	220
6.	MSVS1124/MSVS1124-316	1134	320