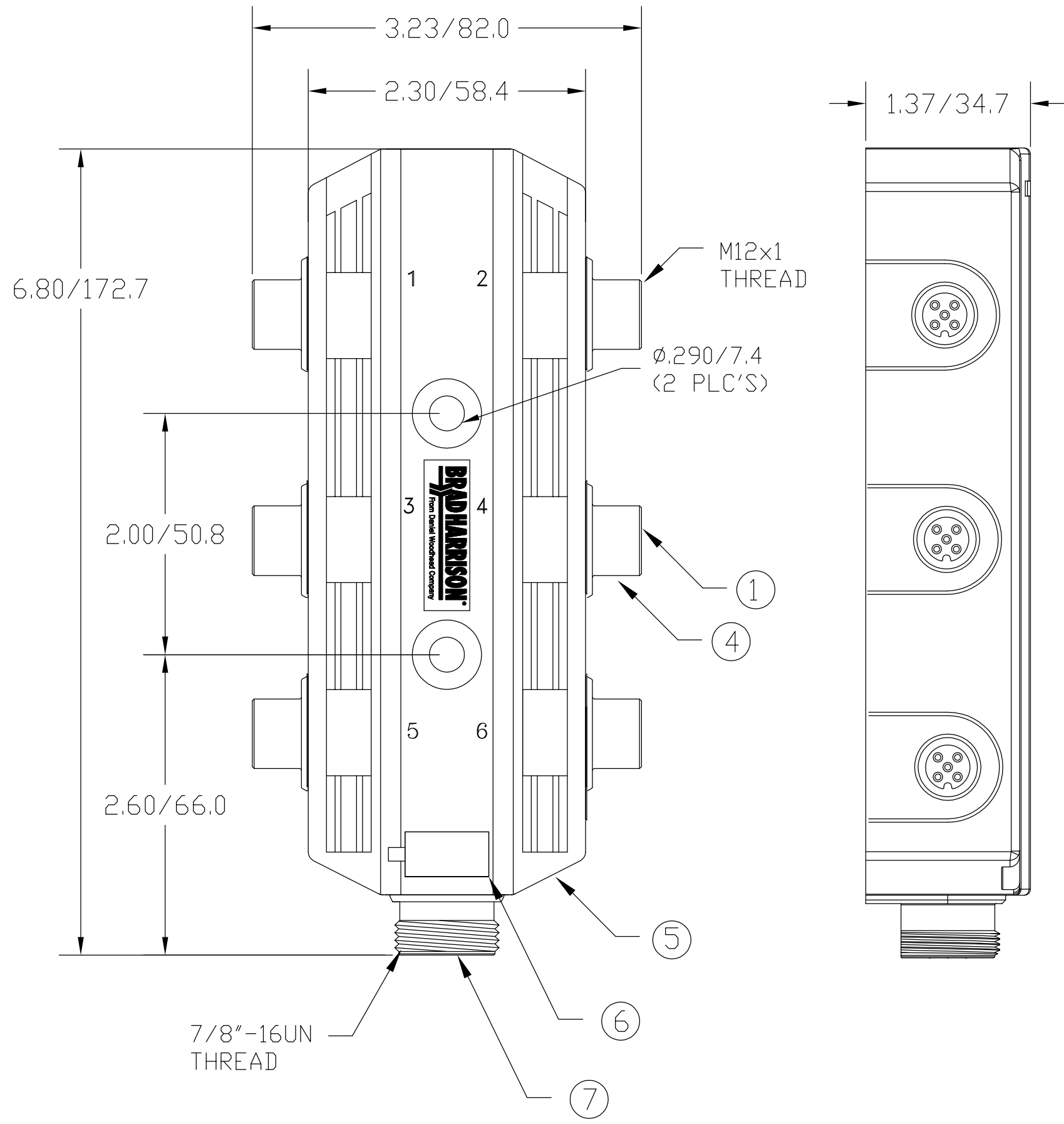
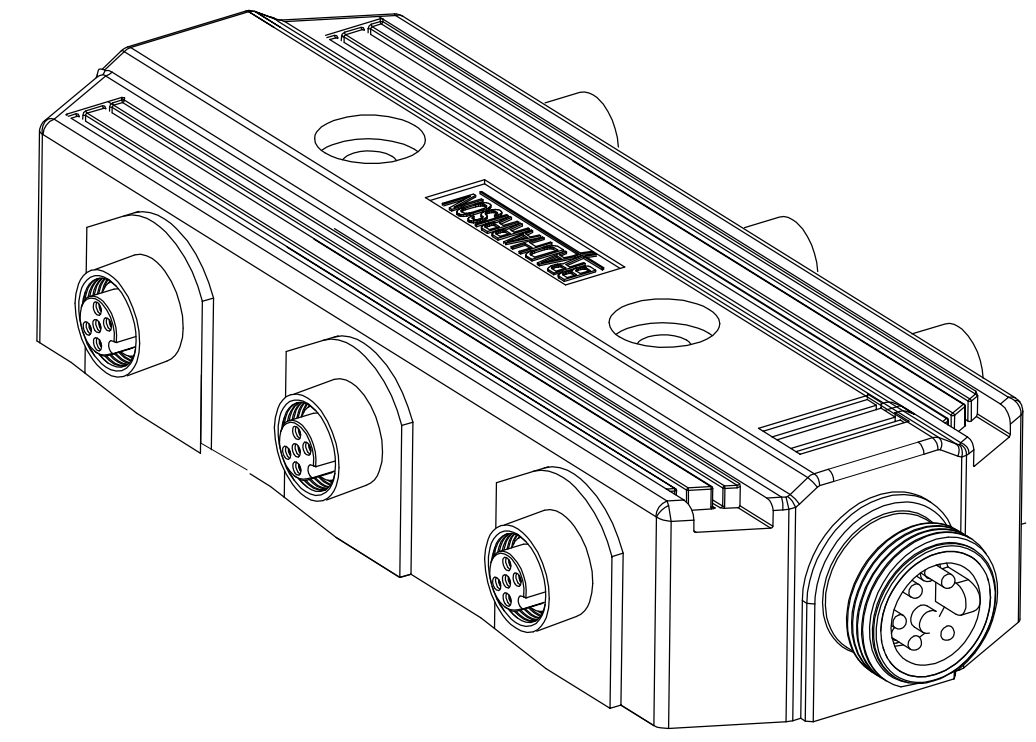
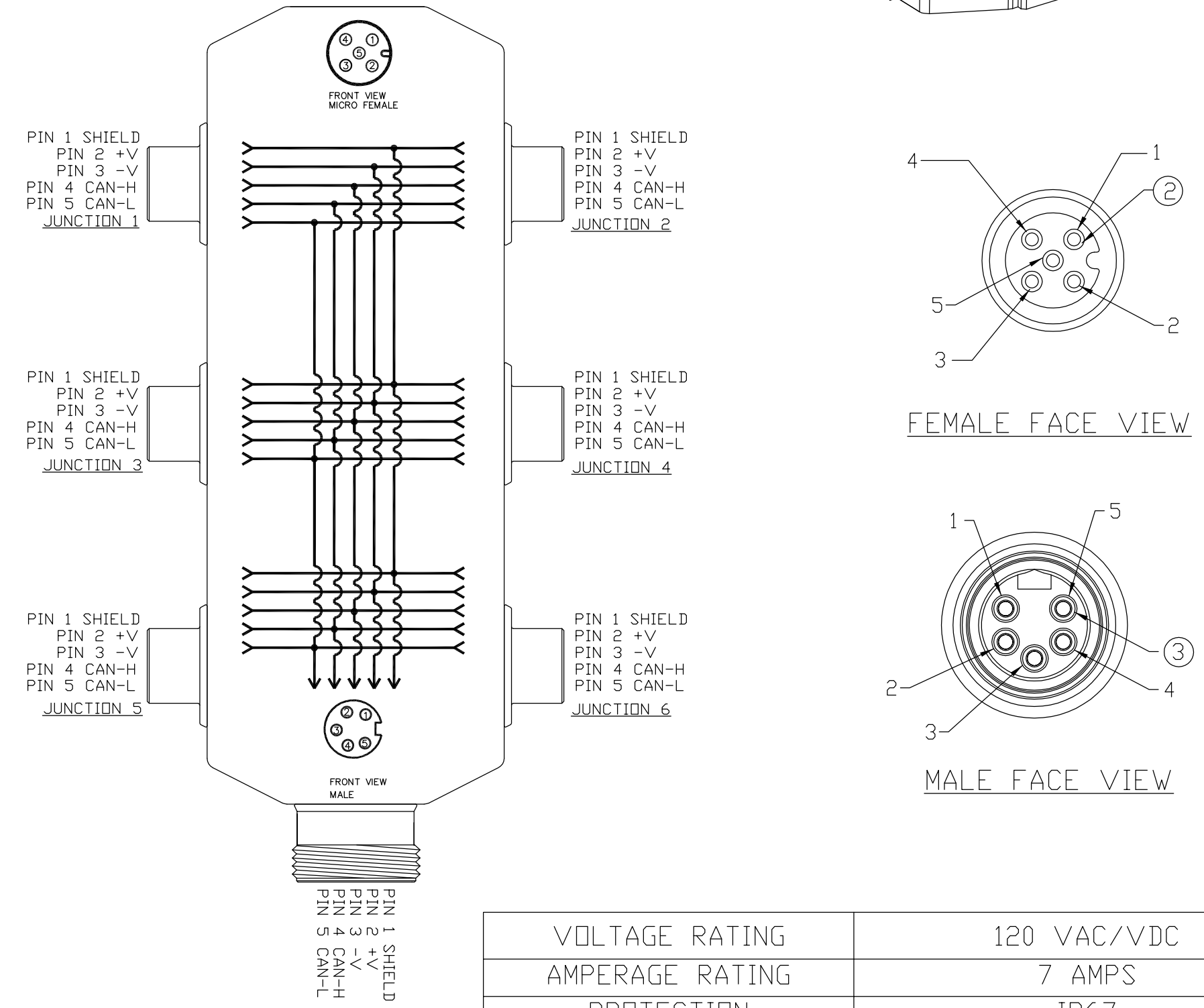


MATERIAL NUMBER	OLD PART NUMBER
130036-0014	DND6000



SCHEMATIC



VOLTAGE RATING	120 VAC/VDC
AMPERAGE RATING	7 AMPS
PROTECTION	IP67
OPERATING TEMPERATURE	0°C TO 60°C

ITEM	COMPONENT	MATERIAL	FINISH
1	INSERT	NYLON	BLACK
2	CONTACT SOCKET	COPPER ALLOY	GOLD OVER NICKEL
3	CONTACT PIN	COPPER ALLOY	GOLD OVER NICKEL
4	RECEPTACLE SHELL	ZINC DIE CAST	BLACK E-COATED
5	HOUSING	PBT	BLACK
6	LABEL	ABS	WHITE
7	INSERT	PVC	GRAY
	POTTING MATERIAL	EPOXY	BLACK

RLSD DRAWING
 EC NO: WNA2010-0020
 DRWN: BWOODMAN 7/9/09
 CH'KD: JM
 APPR: JFMURPHY 2009/07/20
 A

QUALITY SYMBOL
 ▽=0
 ∇=0
 ANGULAR ±---°
 DRAFT WHERE APPLICABLE MUST REMAIN WITHIN DIMENSIONS

GENERAL TOLERANCES (UNLESS SPECIFIED)
 4 PLACES ±---
 3 PLACES ±---
 2 PLACES ±--- ±.01
 1 PLACE ±0.3 ±---
DIMENSION STYLE
 IN/MM
 DRAWN BY: BW DATE: 2009/07/08
 CHECKED BY: TW DATE: 2009/07/08
 APPROVED BY: DATE:

SCALE: ---
 DESIGN UNITS: ---
 THIRD ANGLE PROJECTION
TITLE
 MICRO 6 PORT DROP MPIS DEVICENET
 MOLEX INCORPORATED
 MATERIAL NO. SEE CHART
 DOCUMENT NO. SD-130036-007
 SHEET NO. 1 OF 1
 THIS DRAWING CONTAINS INFORMATION THAT IS PROPRIETARY TO MOLEX INCORPORATED AND SHOULD NOT BE USED WITHOUT WRITTEN PERMISSION