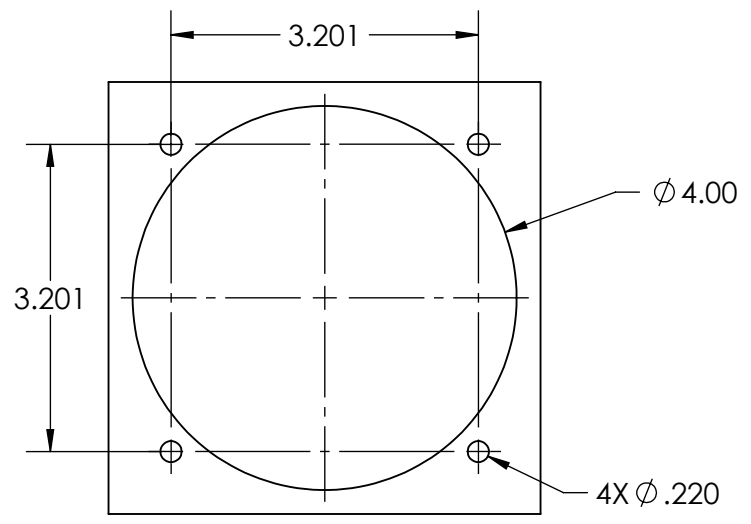
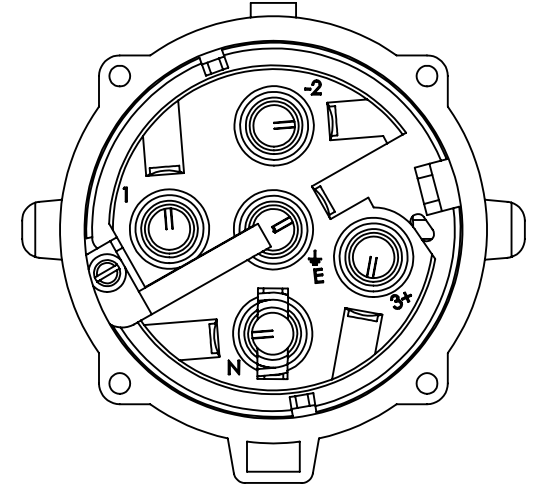
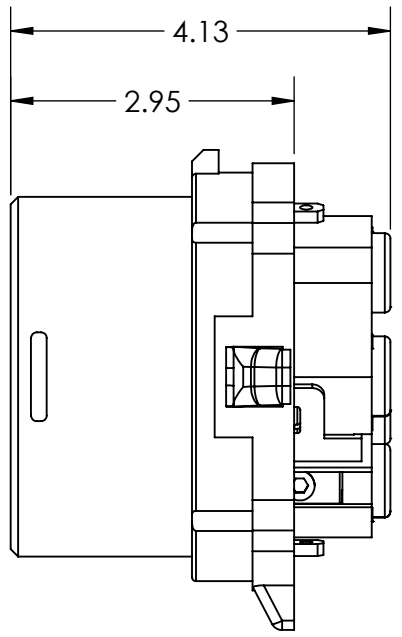
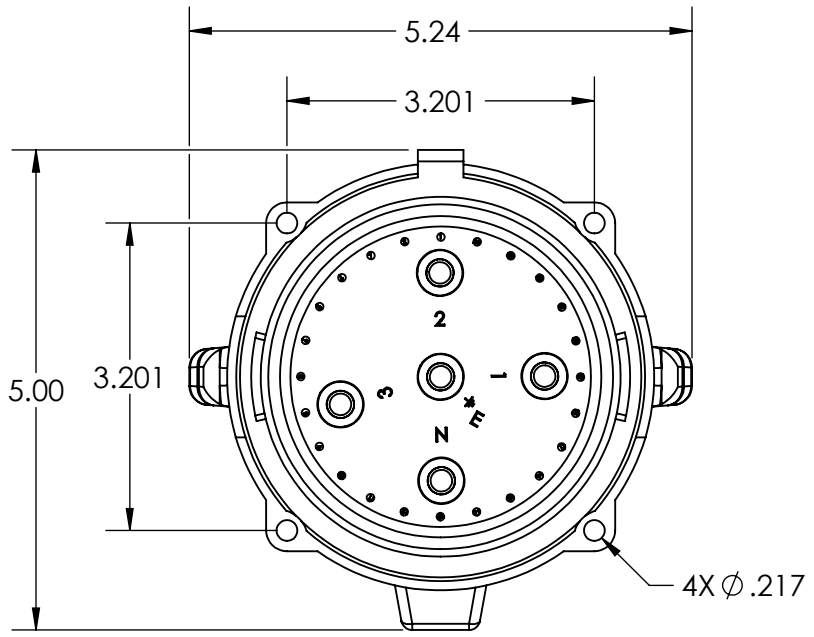
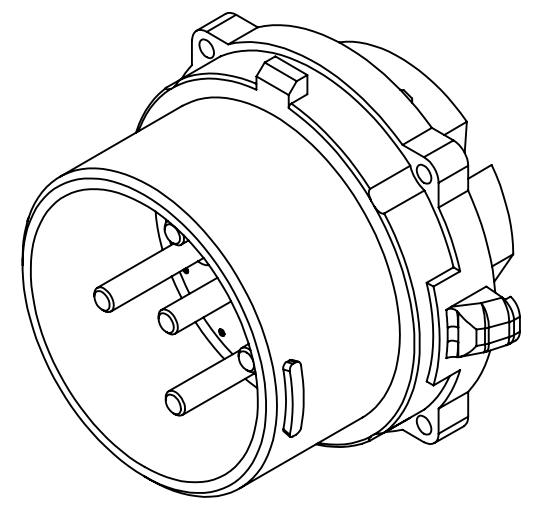


This drawing is the property of MELTRIC Corporation, Franklin (Milwaukee), Wisconsin, USA. Any unauthorized copying of this drawing by any means, ENGR/D/06 REV: 21 ISSUED DATE: 10/7/16 or disclosure of its contents to any person not authorized by MELTRIC Corporation or its agents to receive it, is strictly prohibited.



ENTRY HOLE PATTERN



TOLERANCES UNLESS OTHERWISE SPECIFIED		 MELTRIC A COMPANY OF MARÉCHAL ÉLECTRIC	
MACHINED SURFACES $\sqrt[125]{\text{MAX}}$	ENGLISH		
GROUND SURFACES $\sqrt[32]{\text{MAX}}$	0.X ±0.05	DRAWING TITLE:	
ANGLE TOLERANCE ±1°	0.XX ±0.01	DR150 METAL INLET	
REMOVE BURRS & SHARP EDGES TO .015 MAX.	0.XXX ±0.005	DATE:	SCALE
DIMENSIONS SHOWN IN OVALS ARE INSPECTION DIMENSIONS.		MATERIAL:	
		NTS METAL CASING	
		SHEET:	PART NUMBER
		1 OF 1	39-98xxx-Kxx
			REVISION