



HPS Millennium™ G
Medium Voltage
Distribution Transformer
- up to 5kV

HPS Millennium™ G

Medium Voltage Distribution Transformer

TABLE OF CONTENTS

DOE 2016/NRCan 2019 Efficiency Guidelines	3
HPS DOE Compliant Products	3
Features & Benefits	5
Specifications & Accessories	6
Part Number Guide	7
Selection Tables	8
Performance Data	14
Termination Details	15
Enclosure Dimensional Drawings	16
Enclosure Mounting Kits	20
Enclosure Wall Mounting Dimensions	21
Enclosure Ceiling Mounting Dimensions	22
Electrical Schematics & Connection Drawings	23
Anti-Vibration Pads & Vibration Isolator Kits	24
Altitude Derating Factor	25



Improved Efficiency For A Greener Tomorrow

Transformers have been and remain an essential part of our electrical infrastructure. Everywhere we look there is a transformer supplying power to industrial, commercial, or residential applications.

Improving the energy efficiency of new transformers is a primary goal for both the U.S. Department of Energy (DOE) and Natural Resources Canada (NRCan). New and more stringent energy efficiency regulations are in effect in North America.

- The USA change occurred January 1st, 2016
- Canada has aligned with the USA effective April 30th, 2019 (preceded in Ontario January 1st, 2018)

HPS proudly supports the new regulations and the environmental benefits resulting from using higher efficiency transformers.

3.0
additional
acres of forest
in one year

Environmental Benefits of Increased Energy Efficiency

Upgrading one 1000 kVA transformer at 5kV to a new DOE 2016/NRCan 2019 design translates to one of the following environmental benefits*:

408
gallons of
gasoline consumed

1.3
tons of waste
sent to the
landfill

3,893
pounds of
coal burned

*Estimated savings based on a pre TP-1 upgrade and a mix of energy sources. Calculations derived from www.epa.gov/cleanenergy/energy-resources/calculator.html

US & Canada Energy Efficiency Regulations

As of January 1st 2016, the US Department of Energy (DOE) introduced new, higher energy efficiency levels for dry-type transformers installed in the USA.

As of April 30th, 2019 Natural Resources Canada (NRCAN) aligned the dry-type transformer energy efficiency requirements to those prescribed by DOE 2016. Ontario was the first province to adopt the new NRCAN efficiency levels effective January 1st 2018.

Medium Voltage Dry-type Distribution:

1PH 15-833kVA
 3PH 15-2500kVA
 (extended to 7500kVA for Canada)

* Non-ventilated and potted transformers are exempt from these efficiency requirements. Please refer to the DOE website for a full list of exemptions.



New Energy Efficiency Levels

The new North American energy efficiency levels for single and three phase Millennium G medium voltage dry-type distribution transformers are as follows:

SINGLE PHASE			THREE PHASE		
	20-45kV BIL	46-95kV BIL		20-45kV BIL	46-95kV BIL
kVA	Efficiency %		kVA	Efficiency %	
15	98.10	97.86	15	97.50	97.18
25	98.33	98.12	30	97.90	97.63
37.5	98.49	98.30	45	98.10	97.86
50	98.60	98.42	75	98.33	98.13
75	98.73	98.57	112.5	98.52	98.36
100	98.82	98.67	150	98.65	98.51
167	98.96	98.83	225	98.82	98.69
250	99.07	98.95	300	98.93	98.81
333	99.14	99.03	500	99.09	98.99
500	99.22	99.12	750	99.21	99.12
667	99.27	99.18	1000	99.28	99.20
833	99.31	99.23	1500	99.37	99.30

DOE 2016/NRCAN 2019 Compliant HPS Medium Voltage Transformers

The new DOE 2016/NRCAN 2019 product lines from HPS are based on extensive customer input resulting in industry leading technologies and materials to meet your most demanding applications.

HPS Millennium G transformers are designed to meet the latest DOE 2016/NRCAN 2019 efficiency standards.

Medium Voltage Distribution Transformers - HPS Millennium G:

With three phase ratings from 15 to 1500kVA and single phase ratings from 15-333kVA, they feature the newest technology and manufacturing processes.

To service all of your medium voltage needs, HPS Millennium E is also available for applications requiring voltages up to 34.5kV. For more information on HPS Millennium™ E, please refer to the HPS website www.hammondpowersolutions.com.

Note: All efficiency values are at 50% of nameplate-rated load, determined according to the DOE Test Method for Measuring the Energy Consumption of Distribution Transformers under Appendix A to Subpart K of DOE 10 CFR part 431.

HPS Millennium™ G

Medium Voltage Distribution Transformer



HPS MILLENNIUM™ G

Hammond Power Solutions Inc. (HPS) is the industry leading manufacturer of standard and custom dry-type transformers in North America. Every HPS product is built with the quality and dependability you count on.

HPS Millennium™ medium voltage distribution transformers are designed for many demanding and diverse applications, while minimizing both installation and maintenance costs. Coils are precision wound with copper or aluminum conductors with a full vacuum-pressure impregnation (VPI) insulation system.

HPS ONLINE TOOLS

HPS offers many different tools to assist you in the selection of a HPS Transformer, these include an Energy Efficiency Calculator, a Current Calculator and a comprehensive Website.

Efficiency Calculator

Calculate the energy consumption (kWh), energy costs, and energy dollar savings using HPS energy efficient distribution transformers within a selected application profile.
www.hammondpowersolutions.com/hps-toolbox

Current Calculator

Calculates the Amps, Volts or kVA of a transformer.
www.hammondpowersolutions.com/hps-toolbox

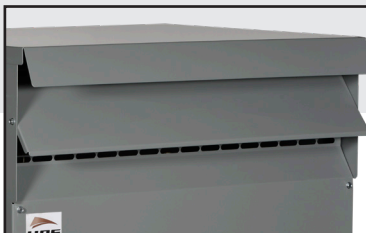
HPS Website

Our HPS website has useful information to assist you when selecting and installing a transformer. These include a competitor cross reference tool, installation manuals, typical specifications, and warranty information.
www.hammondpowersolutions.com/hps-toolbox

APPLICATIONS

HPS Millennium™ G is suitable for any commercial, industrial, or renewable energy application. They can be offered for a variety of environmental conditions and built to meet the most onerous duty.

- Industrial
- Commercial
- Renewable Energy



Standard type 3R enclosure drip shield



Wall mounting brackets (limited to lower kVA ratings and may require optional hardware)

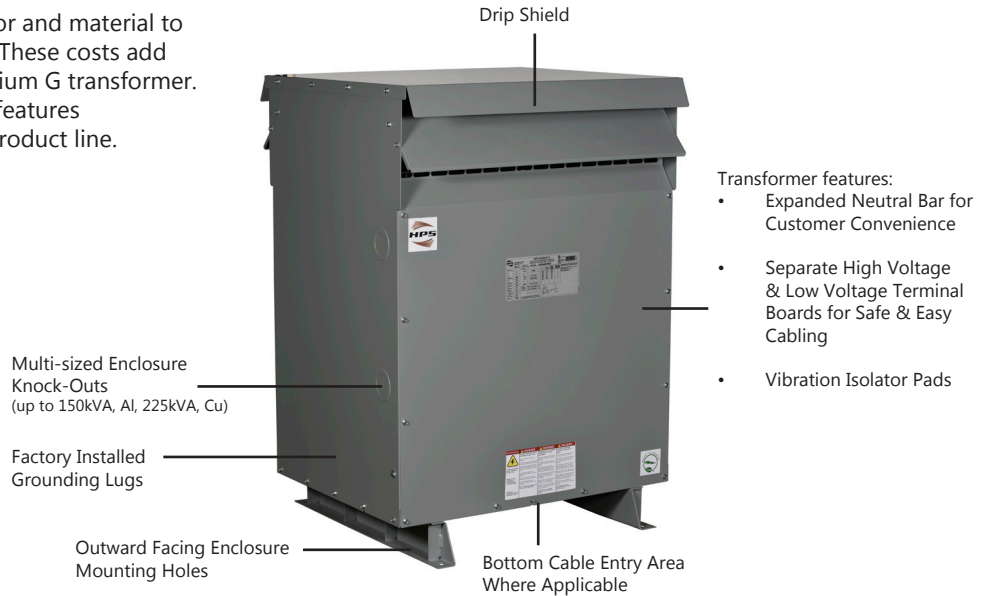


Expanded neutral bar for multiple customer connections



Installation made fast & easy!

Tired of spending extra money on labor and material to install optional transformer features? These costs add up unless you purchase a HPS Millennium G transformer. HPS Millennium G has these optional features pre-installed as part of our standard product line.



FEATURES

Core & Coil Construction:

- Manufactured from quality non-aging, cold rolled grain oriented, silicon steel laminations
- Cores are precision cut to close tolerances which eliminates burrs and improves performance
- Core is coated to resist oxidation
- Precision wound with copper or aluminum conductors that are electrically balanced to minimize axial forces during short-circuit conditions
- Wire or foil conductors for optimum performance for the application
- Robust interface between core & coils for better short circuit performance
- Front accessible separate high and low voltage terminals with connectors suitable for either copper or aluminum cables.

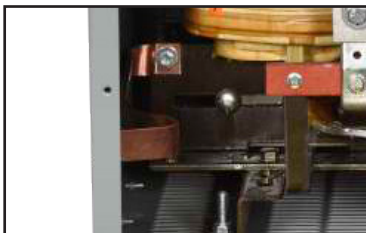
Conductor material: Copper or Aluminum

Temperature rise: 150°C typical (low rise options available)

Insulation system: 200°C or 220°C

BENEFITS

- Meets the minimum efficiency standards mandated in DOE 10 CFR Part 431 (levels as of Jan. 1st 2016), NRCan 2019 SOR/2018-201 (effective April 30th, 2019), resulting in increased dollar savings and positive societal/environmental payback
- Designed for indoor or outdoor applications
- VPI windings are mechanically durable for the most demanding environments
- Minimal maintenance required beyond removing surface contaminants, such as dust
- Ease of installation
- Excellent resistance to short circuits
- Self-extinguishing in the unlikely event of fire
- Environmentally friendly



Factory installed main grounding lugs



Bottom cable entry area where applicable



Offset outward facing floor installation holes for easy power tool access

HPS Millennium™ G

Medium Voltage Distribution Transformer

Specifications & Accessories - Copper or Aluminum



DH2 Enclosure



DH3 Enclosure



DH5 Enclosure

STANDARD SPECIFICATIONS

<p>kVA: 15-1500 kVA</p> <p>High Voltage (Primary): Up to 5kV Class Up to 45 kV BIL</p> <p>Low Voltage (Secondary): 208Y/120V to 600Y/347V, 10kV BIL (3 phase units only) Options available upon request</p> <p>Frequency: 60 Hz, others available upon request</p> <p>Insulation System: 220°C (200°C for some units)</p> <p>Enclosure Type: Type 3/3R standard (other enclosure options available). Enhanced Type 3R option available for improved outdoor performance.</p> <p>Enclosure Finish: ANSI 61 Grey Compliant with UL 50</p> <p>Neutral: Neutral terminal for field connection (on applicable units)</p> <p>Standard Primary Taps: Refer to wiring diagrams for details</p> <p>Temperature Rise: 150°C temperature rise, 130°C rise for some lower kVA units (optional 115°C & 80°C rise available)</p>	<p>Termination: Front accessible separate high and low voltage terminals; connectors suitable for aluminum and copper are provided for easy cable installation.</p> <p>Conduit Entry: Knockouts standard on all lower kVA units; conduit entry zone defined for larger kVA units.</p> <p>Impedance: Single Phase: Typically 2-5% Three Phase: Typically 3-6%</p> <p>Mounting: Floor or wall/ceiling mounting available. Refer to selection tables for details.</p> <p>Seismic: Seismically qualified according to the International Building Code (IBC) 2018, and the American Society of Civil Engineers ASCE 7-16 specifications, with the following design parameters: Spectral acceleration: $S_{DS} \leq 2.0$ g Importance factor: $I_p = 1.5$ Attachment/height ratio: $z/h = 0$</p> <p>Sound Level: Meets IEEE C57.12.01 (optional low noise units available)</p> <p>Altitude: Standard up to 1000 meters (de-rated above 1000 meters)</p> <p>Ambient: -20 to 40°C (with de-rating from 40° to 60°C)</p>
--	--

Optional Accessories:

- Thermal sensing & indication
- Thermocouples
- Thermometers (analog/digital)
- Thermostat alarm / trip (N.O. /N.C. contacts)
- Electrostatic shielding

HPS Millennium Part Number Guide

Family	Appl. Type	Efficiency	Phase	kVA Rating				Primary Voltage	Secondary Voltage	BIL	Winding Material/ Electrostatic Shield/ Thermostat - options incl.	Temp. Rise	Enclosure	Sound Level
				0	0	4	5							
M	G	3	A	0	0	4	5	R	B	S	K	F	C	3
Family: M - HPS Millennium				kVA: kVA Rating				Winding Material/Electrostatic Shield: A - Aluminum S - Aluminum + Shield T - Aluminum + Thermostat U - Aluminum + Shield + Thermostat R - Aluminum + Double Shield C - Copper K - Copper + Shield L - Copper + Thermostat M - Copper + Shield + Thermostat J - Copper + Double Shield						
Type: G- General Distribution				Primary Voltage: <u>1PH</u> <u>3PH</u> R 2400 2400 S 4160 4160 T 4800 4800				Temperature Rise B - 80°C F - 115°C G - 130°C H - 150°C						
Efficiency: 1- Non EE/Legacy prod. 2- TP1/CSA C802.2 3 - DOE 2016/NRCAN 2019				Secondary Voltage: <u>1PH</u> <u>3PH</u> A 120 120 B 208D or 208Y/120 D 240 240 E 120/240 120/240 K 480 480D or 480Y/277 P 600 600D or 600Y/347				Enclosure: A - Type 1 F - Type 4 B - Type 2 G - Type 4X (304SS) C - Type 3R H - Type 4X (316SS) D - Type 3RE K - Type 12 E - Type 3RX X - None (Core & Coil)						
Phase (Pri-Sec): A- 3PH - Delta - Wye C- 3PH - Delta - Delta/CT D- 3PH - Delta - Delta K- 1PH - Single - Single L - 1PH - Single - Dual				BIL: S - Standard 20kV for 2400V Pri. & 10kV for LV 30kV for 4160-4800V Pri. & 10kV for LV P - Premium 30kV for 2400V Pri. & 10kV for LV 45kV for 4160-4800V Pri. & 10kV for LV				Sound Level: 0 = Standard 3 = -3dB 5 = -5dB 8 = -8dB						

TESTING

All VPI Power transformers are tested at HPS prior to shipment. They must meet stringent criteria to be certified for release. The following tests are performed on each power transformer:

- Resistance Measurement*
- Voltage Ratio
- Polarity & Phase-Relation Test
- No-Load Loss and Excitation Current Test
- Induced Voltage
- Impedance, Voltage & Load Loss Test*
- Power frequency voltage-withstand each winding
- Other testing available upon customer request



* typically not performed for units ≤ 500kVA

COMPLIANCE & APPROVALS

HPS Millennium™ is CSA certified and UL Listed to the following standards:

- CSA C22.2 No. 47
- CSA C9-02
- U.L. 1562



Compliant to the following industry standards:

- IEEE-C57.12.01
- IEEE-C57.12.51
- IEEE-C57.12.70
- IEEE-C57.12.91
- DOE 10 CFR Part 431: 2016
- NRCAN 2019 SOR/2018-201 Amd. 14
- IEC 60076 (upon request)
- Seismic qualified per IBC 2018 (ASCE 7-16)

Selection Tables

Aluminum, Single Phase

ALUMINUM WOUND, SINGLE PHASE



2400 Primary Volts

120/240 Secondary Volts

60 Hz

kVA	Catalog Number	Insul. Temp Class (°C)	Enclosure Style (pg 18-21)	Approx. Dimensions in Inches [mm]			Approx. Weight Lbs. [kg]	Mtg Type W - Wall F - Floor	Wiring Diagram (pg 25)
				Width	Depth	Height			
15*	MG2L0015RESAGCO	200	NH6	23.90 [608]	25.00 [635]	28.75 [731]	290 [132]	F or W	SCD 6
25	MG2L0025RESAHC0	220	NH6	23.90 [608]	25.00 [635]	28.75 [731]	350 [159]	F or W	SCD 6
37.5	MG2L0037RESAHC0	220	NH6	23.90 [608]	25.00 [635]	28.75 [731]	420 [191]	F or W	SCD 6
50	MG2L0050RESAHC0	220	NH3	26.00 [661]	25.00 [635]	38.00 [966]	570 [259]	F or W	SCD 6
75	MG2L0075RESAHC0	220	NH3	26.00 [661]	25.00 [635]	38.00 [966]	660 [300]	F or W	SCD 6
100	MG2L0100RESAHC0	220	NH4	32.00 [813]	29.50 [750]	41.00 [1042]	810 [368]	F	SCD 6
150	MG2L0150RESAHC0	220	NJ4	32.00 [813]	32.50 [826]	50.00 [1270]	1280 [581]	F	SCD 6
167	MG2L0167RESAHC0	220	NJ4	32.00 [813]	32.50 [826]	50.00 [1270]	1320 [599]	F	SCD 6
250	MG2L0250RESAHC0	220	NJ4	32.00 [813]	32.50 [826]	50.00 [1270]	1560 [708]	F	SCD 6
333	MG2L0333RESAHC0	220	NJ2	49.00 [1245]	39.00 [991]	59.00 [1499]	1980 [899]	F	SCD 6

*These units have a 130°C temperature rise.

4160 Primary Volts

120/240 Secondary Volts

60 Hz

kVA	Catalog Number	Insul. Temp Class (°C)	Enclosure Style (pg 18-21)	Approx. Dimensions in Inches [mm]			Approx. Weight Lbs. [kg]	Mtg Type W - Wall F - Floor	Wiring Diagram (pg 25)
				Width	Depth	Height			
15*	MG2L0015SESAGCO	200	NH6	23.90 [608]	25.00 [635]	28.75 [731]	290 [132]	F or W	SCD 6
25*	MG2L0025SESAGCO	200	NH6	23.90 [608]	25.00 [635]	28.75 [731]	350 [159]	F or W	SCD 6
37.5	MG2L0037SESAGCO	220	NH6	23.90 [608]	25.00 [635]	28.75 [731]	420 [191]	F or W	SCD 6
50	MG2L0050SESAGCO	220	NH3	26.00 [661]	25.00 [635]	38.00 [966]	570 [259]	F or W	SCD 6
75	MG2L0075SESAGCO	220	NH3	26.00 [661]	25.00 [635]	38.00 [966]	660 [300]	F or W	SCD 6
100	MG2L0100SESAGCO	220	NH4	32.00 [813]	29.50 [750]	41.00 [1042]	810 [368]	F	SCD 6
150	MG2L0150SESAGCO	220	NJ4	32.00 [813]	32.50 [826]	50.00 [1270]	1280 [581]	F	SCD 6
167	MG2L0167SESAGCO	220	NJ4	32.00 [813]	32.50 [826]	50.00 [1270]	1320 [599]	F	SCD 6
250	MG2L0250SESAGCO	220	NJ4	32.00 [813]	32.50 [826]	50.00 [1270]	1560 [708]	F	SCD 6
333	MG2L0333SESAGCO	220	NJ2	49.00 [1245]	39.00 [991]	59.00 [1499]	1980 [899]	F	SCD 6

*These units have a 130°C temperature rise.

Selection Tables

Copper, Single Phase



Hammond
Power Solutions

COPPER WOUND, SINGLE PHASE



2400 Primary Volts

120/240 Secondary Volts

60 Hz

kVA	Catalog Number	Insul. Temp Class (°C)	Enclosure Style (pg 18-21)	Approx. Dimensions in Inches [mm]			Approx. Weight Lbs. [kg]	Mtg Type W - Wall F - Floor	Wiring Diagram (pg 25)
				Width	Depth	Height			
15*	MG2L0015RESCGCO	200	NH6	23.90 [608]	25.00 [635]	28.75 [731]	320 [146]	F or W	SCD 6
25*	MG2L0025RESCGCO	200	NH6	23.90 [608]	25.00 [635]	28.75 [731]	390 [177]	F or W	SCD 6
37.5*	MG2L0037RESCGCO	200	NH6	23.90 [608]	25.00 [635]	28.75 [731]	480 [218]	F or W	SCD 6
50*	MG2L0050RESCGCO	200	NH3	26.00 [661]	25.00 [635]	38.00 [966]	660 [300]	F or W	SCD 6
75	MG2L0075RESCHCO	220	NH3	26.00 [661]	25.00 [635]	38.00 [966]	770 [350]	F	SCD 6
100	MG2L0100RESCHCO	220	NH4	32.00 [813]	29.50 [750]	41.00 [1042]	970 [440]	F	SCD 6
150	MG2L0150RESCHCO	220	NJ4	32.00 [813]	32.50 [826]	50.00 [1270]	1300 [590]	F	SCD 6
167	MG2L0167RESCHCO	220	NJ4	32.00 [813]	32.50 [826]	50.00 [1270]	1440 [654]	F	SCD 6
250	MG2L0250RESCHCO	220	NJ4	32.00 [813]	32.50 [826]	50.00 [1270]	1800 [817]	F	SCD 6
333	MG2L0333RESCHCO	220	NJ2	49.00 [1245]	39.00 [991]	59.00 [1499]	2280 [1035]	F	SCD 6

*These units have a 130°C temperature rise.

4160 Primary Volts

120/240 Secondary Volts

60 Hz

kVA	Catalog Number	Insul. Temp Class (°C)	Enclosure Style (pg 18-21)	Approx. Dimensions in Inches [mm]			Approx. Weight Lbs. [kg]	Mtg Type W - Wall F - Floor	Wiring Diagram (pg 25)
				Width	Depth	Height			
15*	MG2L0015SESCGCO	200	NH6	23.90 [608]	25.00 [635]	28.75 [731]	320 [146]	F or W	SCD 6
25*	MG2L0025SESCGCO	200	NH6	23.90 [608]	25.00 [635]	28.75 [731]	390 [177]	F or W	SCD 6
37.5*	MG2L0037SESCGCO	200	NH6	23.90 [608]	25.00 [635]	28.75 [731]	480 [218]	F or W	SCD 6
50*	MG2L0050SESCGCO	200	NH3	26.00 [661]	25.00 [635]	38.00 [966]	660 [300]	F or W	SCD 6
75	MG2L0075SESCHCO	220	NH3	26.00 [661]	25.00 [635]	38.00 [966]	770 [350]	F	SCD 6
100	MG2L0100SESCHCO	220	NH4	32.00 [813]	29.50 [750]	41.00 [1042]	970 [440]	F	SCD 6
150	MG2L0150SESCHCO	220	NJ4	32.00 [813]	32.50 [826]	50.00 [1270]	1300 [590]	F	SCD 6
167	MG2L0167SESCHCO	220	NJ4	32.00 [813]	32.50 [826]	50.00 [1270]	1440 [654]	F	SCD 6
250	MG2L0250SESCHCO	220	NJ4	32.00 [813]	32.50 [826]	50.00 [1270]	1800 [817]	F	SCD 6
333	MG2L0333SESCHCO	220	NJ2	49.00 [1245]	39.00 [991]	59.00 [1499]	2280 [1035]	F	SCD 6

*These units have a 130°C temperature rise.

Selection Tables

Aluminum, Three Phase

ALUMINUM WOUND, THREE PHASE



2400 Delta Primary Volts

208Y/120 Secondary Volts

60 Hz

kVA	Catalog Number	Insul. Temp Class (°C)	Enclosure Style (pg 18-21)	Approx. Dimensions in Inches [mm]			Approx. Weight Lbs. [kg]	Mtg Type W - Wall F - Floor	Wiring Diagram (pg 25)
				Width	Depth	Height			
15*	MG3A0015RBSAGC0	200	DH2	25.8 [656]	23.8 [605]	28.8 [732]	350 [159]	F or W/C	SCD 8
30*	MG3A0030RBSAGC0	200	DH2	25.8 [656]	23.8 [605]	28.8 [732]	400 [182]	F or W/C	SCD 10
45*	MG3A0045RBSAGC0	200	DH3	28.3 [719]	27.0 [686]	36.0 [915]	550 [250]	F (Opt W/C)	SCD 10
75	MG3A0075RBSAHC0	220	DH4	31.5 [801]	29.5 [750]	44.5 [1131]	850 [386]	F	SCD 10
112.5	MG3A0112RBSAHC0	220	DH4	31.5 [801]	29.5 [750]	44.5 [1131]	900 [409]	F	SCD 10
150	MG3A0150RBSAHC0	220	DH5	38.0 [966]	34.0 [864]	52.0 [1321]	1200 [545]	F	SCD 10
225	MG3A0225RBSAHC0	220	DH5	38.0 [966]	34.0 [864]	52.0 [1321]	1500 [681]	F	SCD 10
300	MG3A0300RBSAHC0	220	DH6	49.0 [1245]	42.0 [1067]	64.0 [1626]	2000 [908]	F	SCD 10
500	MG3A0500RBSAHC0	220	DH7	54.0 [1372]	47.0 [1194]	72.0 [1829]	3100 [1407]	F	SCD 10
750	MG3A0750RBSAHC0	220	DH8	60.0 [1524]	50.0 [1270]	82.0 [2083]	5400 [2450]	F	SCD 10
1000	MG3A1000RBSAHC0	220	DH10	78.0 [1982]	55.0 [1397]	86.0 [2185]	7500 [3402]	F	SCD 10
1250	MG3A1250RBSAHC0	220	DH10	78.0 [1982]	55.0 [1397]	86.0 [2185]	8500 [3856]	F	SCD 10
1500	MG3A1500RBSAHC0	220	DH10	78.0 [1982]	55.0 [1397]	86.0 [2185]	9800 [4446]	F	SCD 10

W/C: Built-in Wall/Ceiling Mounting

Opt W/C: Wall/Ceiling Mounting Kit "DW3" Available *These units have a 130°C temperature rise.

2400 Delta Primary Volts

480Y/277 Secondary Volts

60 Hz

kVA	Catalog Number	Insul. Temp Class (°C)	Enclosure Style (pg 18-21)	Approx. Dimensions in Inches [mm]			Approx. Weight Lbs. [kg]	Mtg Type W - Wall F - Floor	Wiring Diagram (pg 25)
				Width	Depth	Height			
15*	MG3A0015RKSAGC0	200	DH2	25.8 [656]	23.8 [605]	28.8 [732]	350 [159]	F or W/C	SCD 8
30*	MG3A0030RKSAGC0	200	DH2	25.8 [656]	23.8 [605]	28.8 [732]	400 [182]	F or W/C	SCD 10
45*	MG3A0045RKSAGC0	200	DH3	28.3 [719]	27.0 [686]	36.0 [915]	550 [250]	F (Opt W/C)	SCD 10
75	MG3A0075RKSAGC0	220	DH4	31.5 [801]	29.5 [750]	44.5 [1131]	850 [386]	F	SCD 10
112.5	MG3A0112RKSAGC0	220	DH4	31.5 [801]	29.5 [750]	44.5 [1131]	900 [409]	F	SCD 10
150	MG3A0150RKSAGC0	220	DH5	38.0 [966]	34.0 [864]	52.0 [1321]	1200 [545]	F	SCD 10
225	MG3A0225RKSAGC0	220	DH5	38.0 [966]	34.0 [864]	52.0 [1321]	1500 [681]	F	SCD 10
300	MG3A0300RKSAGC0	220	DH6	49.0 [1245]	42.0 [1067]	64.0 [1626]	2000 [908]	F	SCD 10
500	MG3A0500RKSAGC0	220	DH7	54.0 [1372]	47.0 [1194]	72.0 [1829]	3100 [1407]	F	SCD 10
750	MG3A0750RKSAGC0	220	DH8	60.0 [1524]	50.0 [1270]	82.0 [2083]	5400 [2450]	F	SCD 10
1000	MG3A1000RKSAGC0	220	DH10	78.0 [1982]	55.0 [1397]	86.0 [2185]	7500 [3402]	F	SCD 10
1250	MG3A1250RKSAGC0	220	DH10	78.0 [1982]	55.0 [1397]	86.0 [2185]	8500 [3856]	F	SCD 10
1500	MG3A1500RKSAGC0	220	DH10	78.0 [1982]	55.0 [1397]	86.0 [2185]	9800 [4446]	F	SCD 10

W/C: Built-in Wall/Ceiling Mounting

Opt W/C: Wall/Ceiling Mounting Kit "DW3" Available *These units have a 130°C temperature rise.

2400 Delta Primary Volts

600Y/347 Secondary Volts

60 Hz

kVA	Catalog Number	Insul. Temp Class (°C)	Enclosure Style (pg 18-21)	Approx. Dimensions in Inches [mm]			Approx. Weight Lbs. [kg]	Mtg Type W - Wall F - Floor	Wiring Diagram (pg 25)
				Width	Depth	Height			
15*	MG3A0015RPSAGC0	200	DH2	25.8 [656]	23.8 [605]	28.8 [732]	350 [159]	F or W/C	SCD 8
30*	MG3A0030RPSAGC0	200	DH2	25.8 [656]	23.8 [605]	28.8 [732]	400 [182]	F or W/C	SCD 10
45*	MG3A0045RPSAGC0	200	DH3	28.3 [719]	27.0 [686]	36.0 [915]	550 [250]	F (Opt W/C)	SCD 10
75	MG3A0075RPSAHC0	220	DH4	31.5 [801]	29.5 [750]	44.5 [1131]	850 [386]	F	SCD 10
112.5	MG3A0112RPSAHC0	220	DH4	31.5 [801]	29.5 [750]	44.5 [1131]	900 [409]	F	SCD 10
150	MG3A0150RPSAHC0	220	DH5	38.0 [966]	34.0 [864]	52.0 [1321]	1200 [545]	F	SCD 10
225	MG3A0225RPSAHC0	220	DH5	38.0 [966]	34.0 [864]	52.0 [1321]	1500 [681]	F	SCD 10
300	MG3A0300RPSAHC0	220	DH6	49.0 [1245]	42.0 [1067]	64.0 [1626]	2000 [908]	F	SCD 10
500	MG3A0500RPSAHC0	220	DH7	54.0 [1372]	47.0 [1194]	72.0 [1829]	3100 [1407]	F	SCD 10
750	MG3A0750RPSAHC0	220	DH8	60.0 [1524]	50.0 [1270]	82.0 [2083]	5400 [2450]	F	SCD 10
1000	MG3A1000RPSAHC0	220	DH10	78.0 [1982]	55.0 [1397]	86.0 [2185]	7500 [3402]	F	SCD 10
1250	MG3A1250RPSAHC0	220	DH10	78.0 [1982]	55.0 [1397]	86.0 [2185]	8500 [3856]	F	SCD 10
1500	MG3A1500RPSAHC0	220	DH10	78.0 [1982]	55.0 [1397]	86.0 [2185]	9800 [4446]	F	SCD 10

W/C: Built-in Wall/Ceiling Mounting

Opt W/C: Wall/Ceiling Mounting Kit "DW3" Available *These units have a 130°C temperature rise.



4160 Delta Primary Volts

208Y/120 Secondary Volts

60 Hz

kVA	Catalog Number	Insul. Temp Class (°C)	Enclosure Style (pg 18-21)	Approx. Dimensions in Inches [mm]			Approx. Weight Lbs.[kg]	Mtg Type W - Wall F - Floor	Wiring Diagram (pg 25)
				Width	Depth	Height			
15*	MG3A0015SBSAGC0	200	DH2	25.8	23.8	28.8	350	F or W/C	SCD 8
30*	MG3A0030SBSAGC0	200	DH2	25.8	23.8	28.8	450	F or W/C	SCD 10
45*	MG3A0045SBSAGC0	200	DH3	28.3	27.0	36.0	600	F (Opt W/C)	SCD 10
75*	MG3A0075SBSAGC0	200	DH4	31.5	29.5	44.5	700	F	SCD 10
112.5	MG3A0112SBSAHC0	220	DH4	31.5	29.5	44.5	900	F	SCD 10
150	MG3A0150SBSAHC0	220	DH5	38.0	34.0	52.0	1250	F	SCD 10
225	MG3A0225SBSAHC0	220	DH5	38.0	34.0	52.0	1500	F	SCD 10
300	MG3A0300SBSAHC0	220	DH6	49.0	42.0	64.0	2000	F	SCD 10
500	MG3A0500SBSAHC0	220	DH7	54.0	47.0	72.0	3100	F	SCD 10
750	MG3A0750SBSAHC0	220	DH8	60.0	50.0	82.0	5400	F	SCD 10
1000	MG3A1000SBSAHC0	220	DH10	78.0	55.0	86.0	7500	F	SCD 10
1250	MG3A1250SBSAHC0	220	DH10	78.0	55.0	86.0	8600	F	SCD 10
1500	MG3A1500SBSAHC0	220	DH10	78.0	55.0	86.0	9800	F	SCD 10

W/C: Built-in Wall/Ceiling Mounting

Opt W/C: Wall/Ceiling Mounting Kit "DW3" Available

*These units have a 130°C temperature rise.

4160 Delta Primary Volts

480Y/277 Secondary Volts

60 Hz

kVA	Catalog Number	Insul. Temp Class (°C)	Enclosure Style (pg 18-21)	Approx. Dimensions in Inches [mm]			Approx. Weight Lbs. [kg]	Mtg Type W - Wall F - Floor	Wiring Diagram (pg 25)
				Width	Depth	Height			
15*	MG3A0015SKSAGC0	200	DH2	25.8 [656]	23.8 [605]	28.8 [732]	350 [159]	F or W/C	SCD 8
30*	MG3A0030SKSAGC0	200	DH2	25.8 [656]	23.8 [605]	28.8 [732]	450 [205]	F or W/C	SCD 10
45*	MG3A0045SKSAGC0	200	DH3	28.3 [719]	27.0 [686]	36.0 [915]	600 [273]	F (Opt W/C)	SCD 10
75*	MG3A0075SKSAGC0	200	DH4	31.5 [801]	29.5 [750]	44.5 [1131]	700 [318]	F	SCD 10
112.5	MG3A0112SKSAHC0	220	DH4	31.5 [801]	29.5 [750]	44.5 [1131]	900 [409]	F	SCD 10
150	MG3A0150SKSAHC0	220	DH5	38.0 [966]	34.0 [864]	52.0 [1321]	1250 [567]	F	SCD 10
225	MG3A0225SKSAHC0	220	DH5	38.0 [966]	34.0 [864]	52.0 [1321]	1500 [681]	F	SCD 10
300	MG3A0300SKSAHC0	220	DH6	49.0 [1245]	42.0 [1067]	64.0 [1626]	2000 [908]	F	SCD 10
500	MG3A0500SKSAHC0	220	DH7	54.0 [1372]	47.0 [1194]	72.0 [1829]	3100 [1407]	F	SCD 10
750	MG3A0750SKSAHC0	220	DH8	60.0 [1524]	50.0 [1270]	82.0 [2083]	5400 [2450]	F	SCD 10
1000	MG3A1000SKSAHC0	220	DH10	78.0 [1982]	55.0 [1397]	86.0 [2185]	7500 [3402]	F	SCD 10
1250	MG3A1250SKSAHC0	220	DH10	78.0 [1982]	55.0 [1397]	86.0 [2185]	8600 [3901]	F	SCD 10
1500	MG3A1500SKSAHC0	220	DH10	78.0 [1982]	55.0 [1397]	86.0 [2185]	9800 [4446]	F	SCD 10

W/C: Built-in Wall/Ceiling Mounting

Opt W/C: Wall/Ceiling Mounting Kit "DW3" Available

*These units have a 130°C temperature rise.

4160 Delta Primary Volts

600Y/347 Secondary Volts

60 Hz

kVA	Catalog Number	Insul. Temp Class (°C)	Enclosure Style (pg 18-21)	Approx. Dimensions in Inches [mm]			Approx. Weight Lbs. [kg]	Mtg Type W - Wall F - Floor	Wiring Diagram (pg 25)
				Width	Depth	Height			
15*	MG3A0015SPSAGC0	200	DH2	25.8 [656]	23.8 [605]	28.8 [732]	350 [159]	F or W/C	SCD 8
30*	MG3A0030SPSAGC0	200	DH2	25.8 [656]	23.8 [605]	28.8 [732]	450 [205]	F or W/C	SCD 10
45*	MG3A0045SPSAGC0	200	DH3	28.3 [719]	27.0 [686]	36.0 [915]	600 [273]	F (Opt W/C)	SCD 10
75*	MG3A0075SPSAGC0	200	DH4	31.5 [801]	29.5 [750]	44.5 [1131]	700 [318]	F	SCD 10
112.5	MG3A0112SPSAHC0	220	DH4	31.5 [801]	29.5 [750]	44.5 [1131]	900 [409]	F	SCD 10
150	MG3A0150SPSAHC0	220	DH5	38.0 [966]	34.0 [864]	52.0 [1321]	1250 [567]	F	SCD 10
225	MG3A0225SPSAHC0	220	DH5	38.0 [966]	34.0 [864]	52.0 [1321]	1500 [681]	F	SCD 10
300	MG3A0300SPSAHC0	220	DH6	49.0 [1245]	42.0 [1067]	64.0 [1626]	2000 [908]	F	SCD 10
500	MG3A0500SPSAHC0	220	DH7	54.0 [1372]	47.0 [1194]	72.0 [1829]	3100 [1407]	F	SCD 10
750	MG3A0750SPSAHC0	220	DH8	60.0 [1524]	50.0 [1270]	82.0 [2083]	5400 [2450]	F	SCD 10
1000	MG3A1000SPSAHC0	220	DH10	78.0 [1982]	55.0 [1397]	86.0 [2185]	7500 [3402]	F	SCD 10
1250	MG3A1250SPSAHC0	220	DH10	78.0 [1982]	55.0 [1397]	86.0 [2185]	8600 [3901]	F	SCD 10
1500	MG3A1500SPSAHC0	220	DH10	78.0 [1982]	55.0 [1397]	86.0 [2185]	9800 [4446]	F	SCD 10

W/C: Built-in Wall/Ceiling Mounting

Opt W/C: Wall/Ceiling Mounting Kit "DW3" Available

*These units have a 130°C temperature rise.

Selection Tables

Copper, Three Phase

COPPER WOUND, THREE PHASE



2400 Delta Primary Volts

208Y/120 Secondary Volts

60 Hz

kVA	Catalog Number	Insul. Temp Class (°C)	Enclosure Style (pg 18-21)	Approx. Dimensions in Inches [mm]			Approx. Weight Lbs. [kg]	Mtg Type W - Wall F - Floor	Wiring Diagram (pg 25)
				Width	Depth	Height			
15*	MG3A0015RBSCGCO	200	DH2	25.8 [656]	23.8 [605]	28.8 [732]	350 [159]	F or W/C	SCD 8
30*	MG3A0030RBSCGCO	200	DH2	25.8 [656]	23.8 [605]	28.8 [732]	460 [209]	F or W/C	SCD 10
45*	MG3A0045RBSCGCO	200	DH3	28.3 [719]	27.0 [686]	36.0 [915]	600 [273]	F (Opt W/C)	SCD 10
75*	MG3A0075RBSCGCO	200	DH3	28.3 [719]	27.0 [686]	36.0 [915]	800 [363]	F (Opt W/C)	SCD 10
112.5	MG3A0112RBSCGCO	220	DH4	31.5 [801]	29.5 [750]	44.5 [1131]	850 [386]	F	SCD 10
150	MG3A0150RBSCGCO	220	DH4	31.5 [801]	29.5 [750]	44.5 [1131]	1150 [522]	F	SCD 10
225	MG3A0225RBSCGCO	220	DH5	38.0 [966]	34.0 [864]	52.0 [1321]	1600 [726]	F	SCD 10
300	MG3A0300RBSCGCO	220	DH6	49.0 [1245]	42.0 [1067]	64.0 [1626]	2600 [1180]	F	SCD 10
500	MG3A0500RBSCGCO	220	DH6	49.0 [1245]	42.0 [1067]	64.0 [1626]	3100 [1407]	F	SCD 10
750	MG3A0750RBSCGCO	220	DH8	60.0 [1524]	50.0 [1270]	82.0 [2083]	5500 [2495]	F	SCD 10
1000	MG3A1000RBSCGCO	220	DH9	68.0 [1728]	50.0 [1270]	82.0 [2083]	6900 [3130]	F	SCD 10
1250	MG3A1250RBSCGCO	220	DH10	78.0 [1982]	55.0 [1397]	86.0 [2185]	8200 [3720]	F	SCD 10
1500	MG3A1500RBSCGCO	220	DH10	78.0 [1982]	55.0 [1397]	86.0 [2185]	9300 [4219]	F	SCD 10

W/C: Built-in Wall/Ceiling Mounting

Opt W/C: Wall/Ceiling Mounting Kit "DW3" Available

*These units have a 130°C temperature rise.

2400 Delta Primary Volts

480Y/277 Secondary Volts

60 Hz

kVA	Catalog Number	Insul. Temp Class (°C)	Enclosure Style (pg 18-21)	Approx. Dimensions in Inches [mm]			Approx. Weight Lbs. [kg]	Mtg Type W - Wall F - Floor	Wiring Diagram (pg 25)
				Width	Depth	Height			
15*	MG3A0015RKSCGCO	200	DH2	25.8 [656]	23.8 [605]	28.8 [732]	350 [159]	F or W/C	SCD 8
30*	MG3A0030RKSCGCO	200	DH2	25.8 [656]	23.8 [605]	28.8 [732]	460 [209]	F or W/C	SCD 10
45*	MG3A0045RKSCGCO	200	DH3	28.3 [719]	27.0 [686]	36.0 [915]	600 [273]	F (Opt W/C)	SCD 10
75*	MG3A0075RKSCGCO	200	DH3	28.3 [719]	27.0 [686]	36.0 [915]	800 [363]	F (Opt W/C)	SCD 10
112.5	MG3A0112RKSCGCO	220	DH4	31.5 [801]	29.5 [750]	44.5 [1131]	850 [386]	F	SCD 10
150	MG3A0150RKSCGCO	220	DH4	31.5 [801]	29.5 [750]	44.5 [1131]	1150 [522]	F	SCD 10
225	MG3A0225RKSCGCO	220	DH5	38.0 [966]	34.0 [864]	52.0 [1321]	1600 [726]	F	SCD 10
300	MG3A0300RKSCGCO	220	DH6	49.0 [1245]	42.0 [1067]	64.0 [1626]	2600 [1180]	F	SCD 10
500	MG3A0500RKSCGCO	220	DH6	49.0 [1245]	42.0 [1067]	64.0 [1626]	3100 [1407]	F	SCD 10
750	MG3A0750RKSCGCO	220	DH8	60.0 [1524]	50.0 [1270]	82.0 [2083]	5500 [2495]	F	SCD 10
1000	MG3A1000RKSCGCO	220	DH9	68.0 [1728]	50.0 [1270]	82.0 [2083]	6900 [3130]	F	SCD 10
1250	MG3A1250RKSCGCO	220	DH10	78.0 [1982]	55.0 [1397]	86.0 [2185]	8200 [3720]	F	SCD 10
1500	MG3A1500RKSCGCO	220	DH10	78.0 [1982]	55.0 [1397]	86.0 [2185]	9300 [4219]	F	SCD 10

W/C: Built-in Wall/Ceiling Mounting

Opt W/C: Wall/Ceiling Mounting Kit "DW3" Available

*These units have a 130°C temperature rise.

2400 Delta Primary Volts

600Y/347 Secondary Volts

60 Hz

kVA	Catalog Number	Insul. Temp Class (°C)	Enclosure Style (pg 18-21)	Approx. Dimensions in Inches [mm]			Approx. Weight Lbs. [kg]	Mtg Type W - Wall F - Floor	Wiring Diagram (pg 25)
				Width	Depth	Height			
15*	MG3A0015RPSCGCO	200	DH2	25.8 [656]	23.8 [605]	28.8 [732]	350 [159]	F or W/C	SCD 8
30*	MG3A0030RPSCGCO	200	DH2	25.8 [656]	23.8 [605]	28.8 [732]	460 [209]	F or W/C	SCD 10
45*	MG3A0045RPSCGCO	200	DH3	28.3 [719]	27.0 [686]	36.0 [915]	600 [273]	F (Opt W/C)	SCD 10
75*	MG3A0075RPSCGCO	200	DH3	28.3 [719]	27.0 [686]	36.0 [915]	800 [363]	F (Opt W/C)	SCD 10
112.5	MG3A0112RPSCGCO	220	DH4	31.5 [801]	29.5 [750]	44.5 [1131]	850 [386]	F	SCD 10
150	MG3A0150RPSCGCO	220	DH4	31.5 [801]	29.5 [750]	44.5 [1131]	1150 [522]	F	SCD 10
225	MG3A0225RPSCGCO	220	DH5	38.0 [966]	34.0 [864]	52.0 [1321]	1600 [726]	F	SCD 10
300	MG3A0300RPSCGCO	220	DH6	49.0 [1245]	42.0 [1067]	64.0 [1626]	2600 [1180]	F	SCD 10
500	MG3A0500RPSCGCO	220	DH6	49.0 [1245]	42.0 [1067]	64.0 [1626]	3100 [1407]	F	SCD 10
750	MG3A0750RPSCGCO	220	DH8	60.0 [1524]	50.0 [1270]	82.0 [2083]	5500 [2495]	F	SCD 10
1000	MG3A1000RPSCGCO	220	DH9	68.0 [1728]	50.0 [1270]	82.0 [2083]	6900 [3130]	F	SCD 10
1250	MG3A1250RPSCGCO	220	DH10	78.0 [1982]	55.0 [1397]	86.0 [2185]	8200 [3720]	F	SCD 10
1500	MG3A1500RPSCGCO	220	DH10	78.0 [1982]	55.0 [1397]	86.0 [2185]	9300 [4219]	F	SCD 10

W/C: Built-in Wall/Ceiling Mounting

Opt W/C: Wall/Ceiling Mounting Kit "DW3" Available

*These units have a 130°C temperature rise.



4160 Delta Primary Volts

208Y/120 Secondary Volts

60 Hz

kVA	Catalog Number	Insul. Temp Class (°C)	Enclosure Style (pg 18-21)	Approx. Dimensions in Inches [mm]			Approx. Weight Lbs. [kg]	Mtg Type W - Wall F - Floor	Wiring Diagram (pg 25)
				Width	Depth	Height			
15*	MG3A0015SBSCGCO	200	DH2	25.8 [656]	23.8 [605]	28.8 [732]	330 [150]	F or W/C	SCD 8
30*	MG3A0030SBSCGCO	200	DH2	25.8 [656]	23.8 [605]	28.8 [732]	450 [205]	F or W/C	SCD 10
45*	MG3A0045SBSCGCO	200	DH3	28.3 [719]	27.0 [686]	36.0 [915]	600 [273]	F (Opt W/C)	SCD 10
75*	MG3A0075SBSCGCO	200	DH3	28.3 [719]	27.0 [686]	36.0 [915]	850 [386]	F (Opt W/C)	SCD 10
112.5*	MG3A0112SBSCGCO	200	DH4	31.5 [801]	29.5 [750]	44.5 [1131]	875 [397]	F	SCD 10
150*	MG3A0150SBSCGCO	200	DH4	31.5 [801]	29.5 [750]	44.5 [1131]	1150 [522]	F	SCD 10
225	MG3A0225SBSCGCO	220	DH5	38.0 [966]	34.0 [864]	52.0 [1321]	1600 [726]	F	SCD 10
300	MG3A0300SBSCGCO	220	DH6	49.0 [1245]	42.0 [1067]	64.0 [1626]	2600 [1180]	F	SCD 10
500	MG3A0500SBSCGCO	220	DH6	49.0 [1245]	42.0 [1067]	64.0 [1626]	3100 [1407]	F	SCD 10
750	MG3A0750SBSCGCO	220	DH8	60.0 [1524]	50.0 [1270]	82.0 [2083]	5500 [2495]	F	SCD 10
1000	MG3A1000SBSCGCO	220	DH9	68.0 [1728]	50.0 [1270]	82.0 [2083]	6900 [3130]	F	SCD 10
1250	MG3A1250SBSCGCO	220	DH10	78.0 [1982]	55.0 [1397]	86.0 [2185]	8200 [3720]	F	SCD 10
1500	MG3A1500SBSCGCO	220	DH10	78.0 [1982]	55.0 [1397]	86.0 [2185]	9300 [4219]	F	SCD 10

W/C: Built-in Wall/Ceiling Mounting

Opt W/C: Wall/Ceiling Mounting Kit "DW3" Available

*These units have a 130°C temperature rise.

4160 Delta Primary Volts

480Y/277 Secondary Volts

60 Hz

kVA	Catalog Number	Insul. Temp Class (°C)	Enclosure Style (pg 18-21)	Approx. Dimensions in Inches [mm]			Approx. Weight Lbs. [kg]	Mtg Type W - Wall F - Floor	Wiring Diagram (pg 25)
				Width	Depth	Height			
15*	MG3A0015SKSCGCO	200	DH2	25.8 [656]	23.8 [605]	28.8 [732]	330 [150]	F or W/C	SCD 8
30*	MG3A0030SKSCGCO	200	DH2	25.8 [656]	23.8 [605]	28.8 [732]	450 [205]	F or W/C	SCD 10
45*	MG3A0045SKSCGCO	200	DH3	28.3 [719]	27.0 [686]	36.0 [915]	600 [273]	F (Opt W/C)	SCD 10
75*	MG3A0075SKSCGCO	200	DH3	28.3 [719]	27.0 [686]	36.0 [915]	850 [386]	F (Opt W/C)	SCD 10
112.5*	MG3A0112SKSCGCO	200	DH4	31.5 [801]	29.5 [750]	44.5 [1131]	875 [397]	F	SCD 10
150*	MG3A0150SKSCGCO	200	DH4	31.5 [801]	29.5 [750]	44.5 [1131]	1150 [522]	F	SCD 10
225	MG3A0225SKSCGCO	220	DH5	38.0 [966]	34.0 [864]	52.0 [1321]	1600 [726]	F	SCD 10
300	MG3A0300SKSCGCO	220	DH6	49.0 [1245]	42.0 [1067]	64.0 [1626]	2600 [1180]	F	SCD 10
500	MG3A0500SKSCGCO	220	DH6	49.0 [1245]	42.0 [1067]	64.0 [1626]	3100 [1407]	F	SCD 20
750	MG3A0750SKSCGCO	220	DH8	60.0 [1524]	50.0 [1270]	82.0 [2083]	5500 [2495]	F	SCD 20
1000	MG3A1000SKSCGCO	220	DH9	68.0 [1728]	50.0 [1270]	82.0 [2083]	6900 [3130]	F	SCD 10
1250	MG3A1250SKSCGCO	220	DH10	78.0 [1982]	55.0 [1397]	86.0 [2185]	8200 [3720]	F	SCD 10
1500	MG3A1500SKSCGCO	220	DH10	78.0 [1982]	55.0 [1397]	86.0 [2185]	9300 [4219]	F	SCD 10

W/C: Built-in Wall/Ceiling Mounting

Opt W/C: Wall/Ceiling Mounting Kit "DW3" Available

*These units have a 130°C temperature rise.

4160 Delta Primary Volts

600Y/347 Secondary Volts

60 Hz

kVA	Catalog Number	Insul. Temp Class (°C)	Enclosure Style (pg 18-21)	Approx. Dimensions in Inches [mm]			Approx. Weight Lbs. [kg]	Mtg Type W - Wall F - Floor	Wiring Diagram (pg 25)
				Width	Depth	Height			
15*	MG3A0015SPSCGCO	200	DH2	25.8 [656]	23.8 [605]	28.8 [732]	330 [150]	F or W/C	SCD 8
30*	MG3A0030SPSCGCO	200	DH2	25.8 [656]	23.8 [605]	28.8 [732]	450 [205]	F or W/C	SCD 10
45*	MG3A0045SPSCGCO	200	DH3	28.3 [719]	27.0 [686]	36.0 [915]	600 [273]	F (Opt W/C)	SCD 10
75*	MG3A0075SPSCGCO	200	DH3	28.3 [719]	27.0 [686]	36.0 [915]	850 [386]	F (Opt W/C)	SCD 10
112.5*	MG3A0112SPSCGCO	200	DH4	31.5 [801]	29.5 [750]	44.5 [1131]	875 [397]	F	SCD 10
150*	MG3A0150SPSCGCO	200	DH4	31.5 [801]	29.5 [750]	44.5 [1131]	1150 [522]	F	SCD 10
225	MG3A0225SPSCGCO	220	DH5	38.0 [966]	34.0 [864]	52.0 [1321]	1600 [726]	F	SCD 10
300	MG3A0300SPSCGCO	220	DH6	49.0 [1245]	42.0 [1067]	64.0 [1626]	2600 [1180]	F	SCD 10
500	MG3A0500SPSCGCO	220	DH6	49.0 [1245]	42.0 [1067]	64.0 [1626]	3100 [1407]	F	SCD 10
750	MG3A0750SPSCGCO	220	DH8	60.0 [1524]	50.0 [1270]	82.0 [2083]	5500 [2495]	F	SCD 10
1000	MG3A1000SPSCGCO	220	DH9	68.0 [1728]	50.0 [1270]	82.0 [2083]	6900 [3130]	F	SCD 10
1250	MG3A1250SPSCGCO	220	DH10	78.0 [1982]	55.0 [1397]	86.0 [2185]	8200 [3720]	F	SCD 10
1500	MG3A1500SPSCGCO	220	DH10	78.0 [1982]	55.0 [1397]	86.0 [2185]	9300 [4219]	F	SCD 10

W/C: Built-in Wall/Ceiling Mounting

Opt W/C: Wall/Ceiling Mounting Kit "DW3" Available

*These units have a 130°C temperature rise.

Typical Performance Data

5 kV, 30kV BIL - Copper

75°C, 4160V Delta (30 kV BIL) -
480 Wye/277V (10 kV BIL), 60 Hz

kVA	No Load Loss (W)	Load Loss (W)	Impedance	Regulation				% Efficiency at different loads						
				at 35% load		at 100% load		15%	25%	35%	50%	65%	75%	100%
				pf = 1	pf = 0.8	pf = 1	pf = 0.8							
15	115	400	3.2%	0.72%	0.94%	2.06%	2.70%	94.86%	96.55%	97.17%	97.51%	97.55%	97.51%	97.26%
30	180	740	3.2%	0.67%	0.96%	1.92%	2.74%	95.89%	97.21%	97.68%	97.90%	97.89%	97.82%	97.56%
45	215	1150	3.3%	0.69%	0.99%	1.99%	2.83%	96.64%	97.65%	97.99%	98.10%	98.02%	97.93%	97.61%
75	320	1650	4.2%	0.60%	1.23%	1.76%	3.52%	96.99%	97.91%	98.22%	98.33%	98.27%	98.19%	97.92%
112.5	370	2460	4.2%	0.60%	1.23%	1.75%	3.52%	97.61%	98.29%	98.49%	98.52%	98.42%	98.32%	98.02%
150	440	3030	4.5%	0.56%	1.29%	1.65%	3.69%	97.86%	98.46%	98.63%	98.65%	98.55%	98.46%	98.18%
225	580	3870	4.8%	0.48%	1.32%	1.45%	3.81%	98.12%	98.65%	98.81%	98.82%	98.74%	98.66%	98.42%
300	680	4750	4.8%	0.45%	1.31%	1.36%	3.77%	98.33%	98.79%	98.92%	98.93%	98.85%	98.77%	98.54%
500	940	6800	4.8%	0.39%	1.28%	1.19%	3.68%	98.60%	98.99%	99.09%	99.09%	99.01%	98.94%	98.74%
750	1400	7960	5.8%	0.32%	1.44%	1.01%	4.16%	98.65%	99.05%	99.17%	99.21%	99.16%	99.12%	98.97%
1000	1630	10000	5.8%	0.30%	1.44%	0.97%	4.16%	98.81%	99.15%	99.26%	99.28%	99.23%	99.18%	99.04%
1250	1720	12200	5.8%	0.30%	1.43%	0.96%	4.15%	98.97%	99.26%	99.33%	99.33%	99.28%	99.23%	99.08%
1500	1900	14100	5.8%	0.29%	1.43%	0.93%	4.13%	99.05%	99.31%	99.37%	99.37%	99.31%	99.26%	99.11%

5 kV, 30kV BIL - Aluminum

75°C, 4160V Delta (30 kV BIL) -
480 Wye/277V (10 kV BIL), 60 Hz

kVA	No Load Loss (W)	Load Loss (W)	Impedance	Regulation				% Efficiency at different loads						
				at 35% load		at 100% load		15%	25%	35%	50%	65%	75%	100%
				pf = 1	pf = 0.8	pf = 1	pf = 0.8							
15	116	400	3.2%	0.71%	0.94%	2.05%	2.69%	94.82%	96.52%	97.16%	97.50%	97.55%	97.51%	97.27%
30	180	740	3.2%	0.66%	0.96%	1.91%	2.73%	95.89%	97.21%	97.68%	97.90%	97.90%	97.83%	97.57%
45	215	1150	3.3%	0.69%	0.99%	1.98%	2.82%	96.64%	97.66%	97.99%	98.10%	98.03%	97.94%	97.62%
75	250	2030	4.2%	0.73%	1.26%	2.12%	3.59%	97.53%	98.18%	98.35%	98.33%	98.17%	98.04%	97.65%
112.5	380	2420	4.2%	0.58%	1.22%	1.71%	3.50%	97.56%	98.27%	98.48%	98.52%	98.43%	98.34%	98.05%
150	450	3000	4.5%	0.55%	1.28%	1.62%	3.68%	97.82%	98.44%	98.62%	98.65%	98.56%	98.47%	98.19%
225	630	3660	4.8%	0.46%	1.31%	1.37%	3.76%	97.98%	98.58%	98.77%	98.82%	98.76%	98.69%	98.48%
300	770	4350	4.8%	0.41%	1.29%	1.25%	3.71%	98.15%	98.70%	98.88%	98.93%	98.87%	98.81%	98.62%
500	1060	6260	4.8%	0.36%	1.26%	1.10%	3.63%	98.46%	98.91%	99.05%	99.09%	99.04%	98.98%	98.81%
750	1460	7550	5.8%	0.30%	1.42%	0.97%	4.12%	98.60%	99.03%	99.17%	99.21%	99.18%	99.14%	99.01%
1000	1800	9200	5.8%	0.28%	1.42%	0.90%	4.11%	98.71%	99.10%	99.23%	99.28%	99.25%	99.21%	99.09%
1250	1900	11590	5.8%	0.28%	1.42%	0.91%	4.12%	98.89%	99.21%	99.31%	99.33%	99.28%	99.24%	99.11%
1500	2100	13200	5.8%	0.27%	1.42%	0.88%	4.10%	98.97%	99.27%	99.35%	99.37%	99.32%	99.28%	99.15%

TERMINATION DETAILS - TYPE 3R

For standard 150°C temperature rise units.

SINGLE PHASE, ALUMINUM AND COPPER TERMINATION - LUGS OR PADS

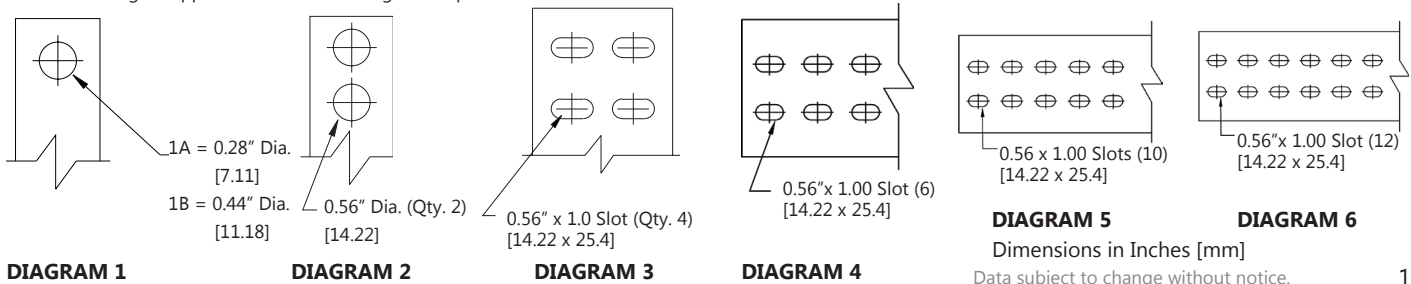
kVA	VOLTAGE											
	120	120/240	208	240	277	347	380	416	480	600	2400	4160
0.25	Leads	Leads	Leads	Leads	Leads	Leads	Leads	Leads	Leads	Leads	-	-
0.5	Leads	Leads	Leads	Leads	Leads	Leads	Leads	Leads	Leads	Leads	-	-
0.75	Leads	Leads	Leads	Leads	Leads	Leads	Leads	Leads	Leads	Leads	-	-
1	Leads	Leads	Leads	Leads	Leads	Leads	Leads	Leads	Leads	Leads	-	-
1.5	Leads	Leads	Leads	Leads	Leads	Leads	Leads	Leads	Leads	Leads	-	-
2	Leads	Leads	Leads	Leads	Leads	Leads	Leads	Leads	Leads	Leads	-	-
3	Leads	Leads	Leads	Leads	Leads	Leads	Leads	Leads	Leads	Leads	-	-
5	Leads	Leads	Leads	Leads	Leads	Leads	Leads	Leads	Leads	Leads	-	-
7.5	Lugs	Lugs	Lugs	Lugs	Lugs	Lugs	Lugs	Lugs	Lugs	Lugs	-	-
10	Lugs	Lugs	Lugs	Lugs	Lugs	Lugs	Lugs	Lugs	Lugs	Lugs	-	-
15	Lugs	Lugs	Lugs	Lugs	Lugs	Lugs	Lugs	Lugs	Lugs	Lugs	Lugs (Dia. 1A)	Lugs (Dia. 1A)
25	Lugs	Lugs	Lugs	Lugs	Lugs	Lugs	Lugs	Lugs	Lugs	Lugs	Lugs (Dia. 1A)	Lugs (Dia. 1A)
37.5	Dia. 2	Lugs	Lugs	Lugs	Lugs	Lugs	Lugs	Lugs	Lugs	Lugs	Lugs (Dia. 1A)	Lugs (Dia. 1A)
50	Dia. 2	Lugs	Lugs	Lugs	Lugs	Lugs	Lugs	Lugs	Lugs	Lugs	Lugs (Dia. 1A)	Lugs (Dia. 1A)
75	Dia. 3	Dia. 2	Dia. 2	Dia. 2	Lugs	Lugs	Lugs	Lugs	Lugs	Lugs	Lugs (Dia. 1A)	Lugs (Dia. 1A)
100	Dia. 3	Dia. 2	Dia. 2	Dia. 2	Dia. 2	Dia. 2	Lugs	Lugs	Lugs	Lugs	Lugs (Dia. 1A)	Lugs (Dia. 1A)
150	Dia. 3	Dia. 3	Dia. 3	Dia. 3	Dia. 2	Dia. 2	Dia. 2	Dia. 2	Dia. 2	Lugs	Lugs (Dia. 1A)	Lugs (Dia. 1A)
167	Dia. 3	Dia. 3	Dia. 3	Dia. 3	Dia. 3	Dia. 2	Dia. 3	Dia. 3	Dia. 3	Dia. 2	Lugs (Dia. 1A)	Lugs (Dia. 1A)
250	Dia 6	Dia. 3	Dia. 3	Dia. 3	Dia. 3	Dia. 3	Dia. 3	Dia. 3	Dia. 3	Dia. 2	Lugs (Dia. 1B)	Lugs (Dia. 1A)
333	Dia 6	Dia.4	Dia.4	Dia.4	Dia.4	Dia.4	Dia.3	Dia.3	Dia.3	Dia.3	Lugs (Dia. 1B)	Lugs (Dia. 1A)

THREE PHASE, ALUMINUM AND COPPER TERMINATION - LUGS OR PADS

kVA	VOLTAGE									
	208	230	240	277	380	416	480	600	2400	4160
2	Leads	Leads	Leads	Leads	Leads	Leads	Leads	Leads	-	-
3	Leads	Leads	Leads	Leads	Leads	Leads	Leads	Leads	-	-
6	Leads	Leads	Leads	Leads	Leads	Leads	Leads	Leads	-	-
9	Lugs	Lugs	Lugs	Lugs	Lugs	Lugs	Lugs	Lugs	-	-
15	Lugs	Lugs	Lugs	Lugs	Lugs	Lugs	Lugs	Lugs	Lugs (Dia. 1A)	Lugs (Dia. 1A)
30	Lugs	Lugs	Lugs	Lugs	Lugs	Lugs	Lugs	Lugs	Lugs (Dia. 1A)	Lugs (Dia. 1A)
45	Lugs	Lugs	Lugs	Lugs	Lugs	Lugs	Lugs	Lugs	Lugs (Dia. 1A)	Lugs (Dia. 1A)
75	Lugs	Lugs	Lugs	Lugs	Lugs	Lugs	Lugs	Lugs	Lugs (Dia. 1A)	Lugs (Dia. 1A)
112.5	Lugs**	Dia. 1B	Lugs	Lugs	Lugs	Lugs	Lugs	Lugs	Lugs (Dia. 1A)	Lugs (Dia. 1A)
150	Dia. 1B	Dia. 1B	Dia. 1B	Dia. 1B	Lugs	Lugs	Lugs	Lugs	Lugs (Dia. 1A)	Lugs (Dia. 1A)
225	Dia. 2	Dia. 1B	Dia. 1B	Dia. 1B	Dia. 1B	Dia. 1B	Lugs	Lugs	Lugs (Dia. 1A)	Lugs (Dia. 1A)
300	Dia. 2	Dia. 2	Dia. 2	Dia. 2	Dia. 1B	Dia. 1B	Dia. 1B	Dia. 1B	Lugs (Dia. 1A)	Lugs (Dia. 1A)
500	Dia. 3	Dia. 3	Dia. 3	Dia. 3	Dia. 3	Dia. 2	Dia. 2	Dia. 1B	Lugs (Dia. 1A)	Lugs (Dia. 1A)
600	Dia. 3	Dia. 3	Dia. 3	Dia. 3	Dia. 3	Dia. 2	Dia. 2	Dia. 1B	Lugs (Dia. 1A)	Lugs (Dia. 1A)
750	Dia. 3	Dia. 3	Dia. 3	Dia. 3	Dia. 3	Dia. 3	Dia. 3	Dia. 2	Lugs (Dia. 1B)	Lugs (Dia. 1A)
1000	Dia.4	Dia.4	Dia.4	Dia.4	Dia.3	Dia.3	Dia.3	Dia.3	Lugs (Dia. 1B)	Lugs (Dia. 1B)
1250	Dia 5	Dia 5	Dia 5	Dia 5	Dia.4	Dia.4	Dia.4	Dia.4	Dia. 1B	Lugs (Dia. 1B)
1500	Dia 6	Dia 6	Dia 6	Dia 6	Dia.4	Dia.4	Dia.4	Dia.4	Dia. 2	Lugs (Dia. 2)

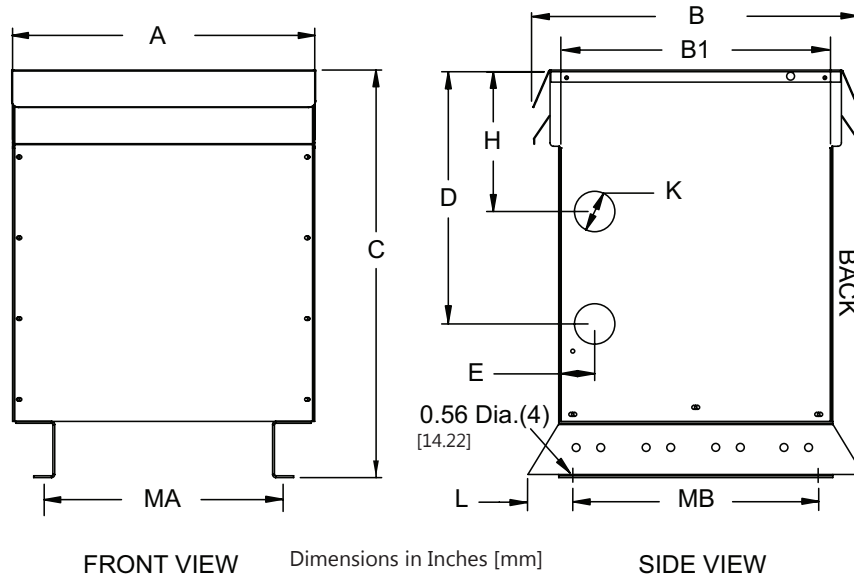
** Lugs only supplied standard on 600V primary to 208Y/120V secondary units.(excluding K-Factor transformers)

All other voltages supplied standard with Diagram 1B pads.



Enclosure Drawings

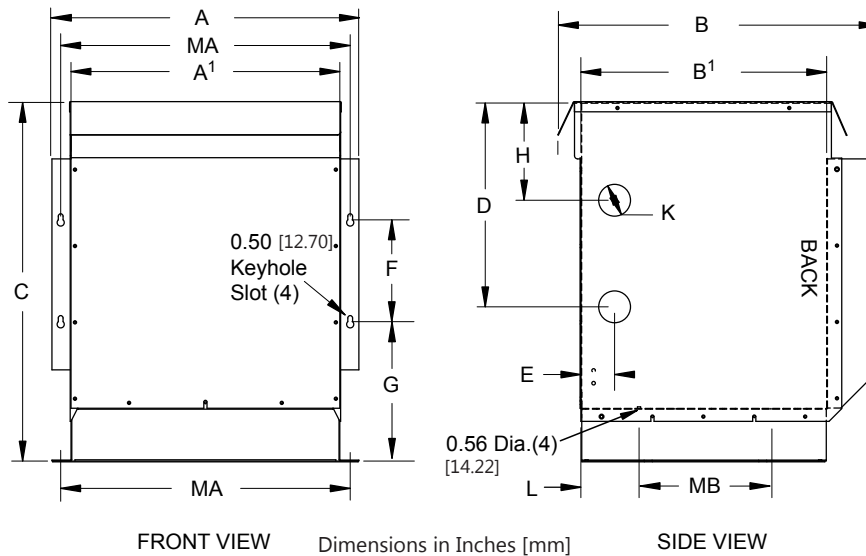
NH, NJ Series



Case Style	Dimensions in Inches [mm]										
	A	B	B1	C	D	E	H	K ¹	L	MA	MB
NH3	26.00 [661]	25.00 [635]	24.00 [610]	38.00 [966]	24.00 [610]	2.50 [64]	14.00 [356]	2.00 X 3.00 [51 X 77]	2.50 [64]	21.50 [547]	19.00 [483]
NH4	32.00 [813]	29.50 [750]	28.50 [724]	41.00 [1042]	24.00 [610]	2.50 [64]	12.00 [305]	2.00 X 3.00 [51 X 77]	2.50 [64]	23.50 [597]	23.50 [597]

Note: Mounting hole dimension is 0.56" diameter.

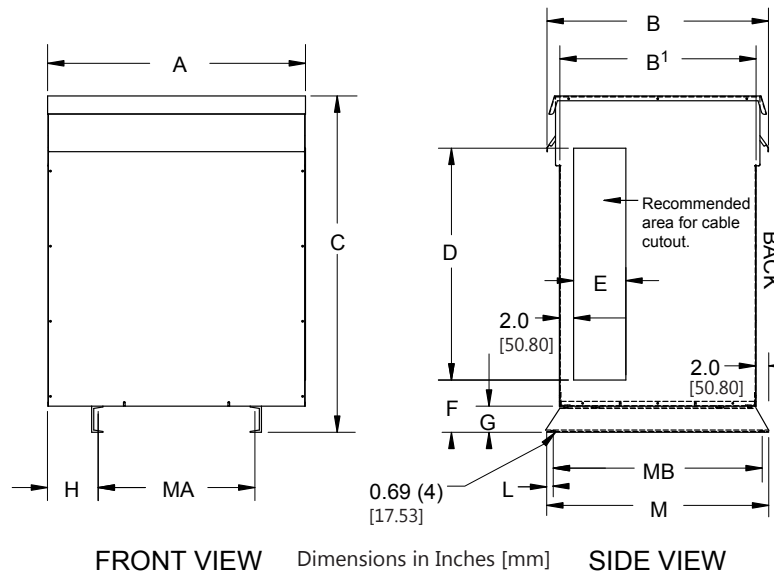
¹ Knockout (K) sizes are actual diameters of knockout, not conduit sizes.



Case Style	Dimensions in Inches [mm]														
	A	A1	B	B1	C	D	E	F	G	H	K ¹	L	MA	MB	
NH6	23.90 [608]	21.50 [547]	25.00 [635]	19.50 [496]	28.75 [731]	17.00 [432]	2.00 [51]	8.00 [204]	10.29 [262]	8.50 [216]	1.38 X 2.50 [36 X 64]	5.20 [133]	22.75 [578]	9.00 [229]	

Note: Mounting hole dimension is 0.56" diameter.

¹ Knockout (K) sizes are actual diameters of knockout, not conduit sizes.

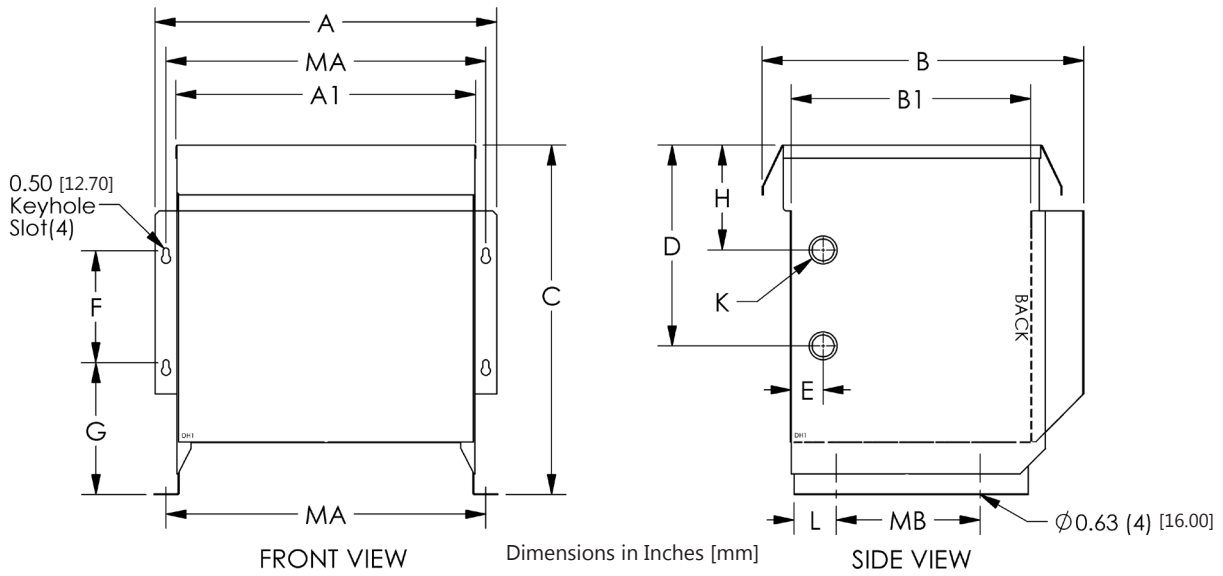


Case Style	Dimensions in Inches [mm]												
	A	B	B1	C	D	E	F	G	H	L	M	MA	MB
NJ2	49.00 [1245]	39.00 [991]	34.00 [864]	59.00 [1499]	40.00 [1016]	8.00 [204]	8.00 [204]	4.00 [102]	10.50 [267]	1.00 [26]	38.00 [966]	27.50 [699]	36.00 [915]
NJ4	32.00 [813]	32.50 [826]	28.50 [724]	50.00 [1270]	34.00 [864]	8.00 [204]	8.00 [204]	4.00 [102]	5.00 [127]	1.00 [26]	32.50 [826]	22.00 [559]	30.50 [775]

Note: Mounting hole dimension is 0.69" diameter.

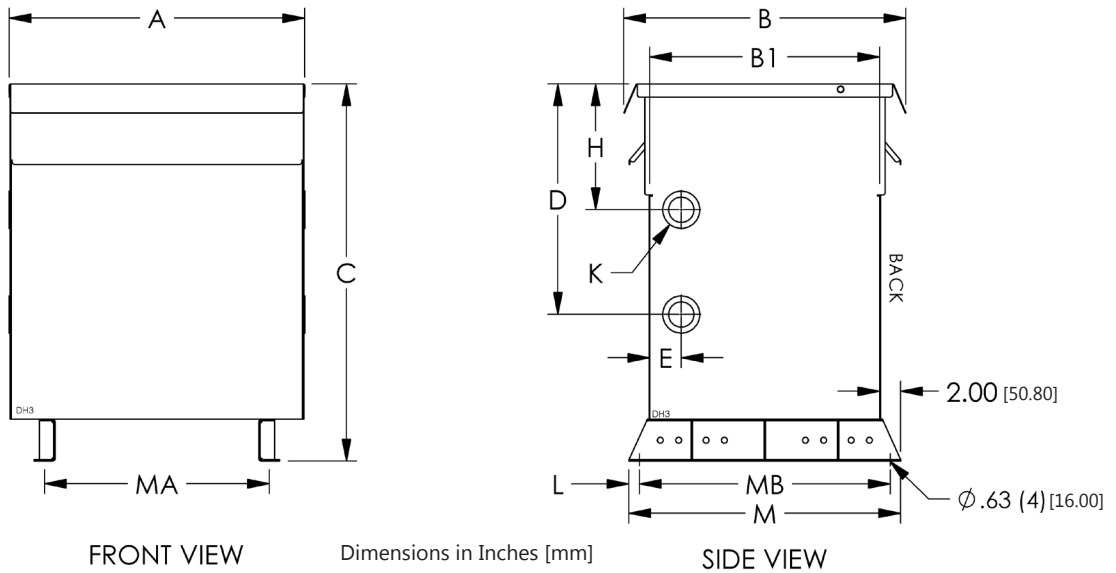
Enclosure Drawings

DH Series



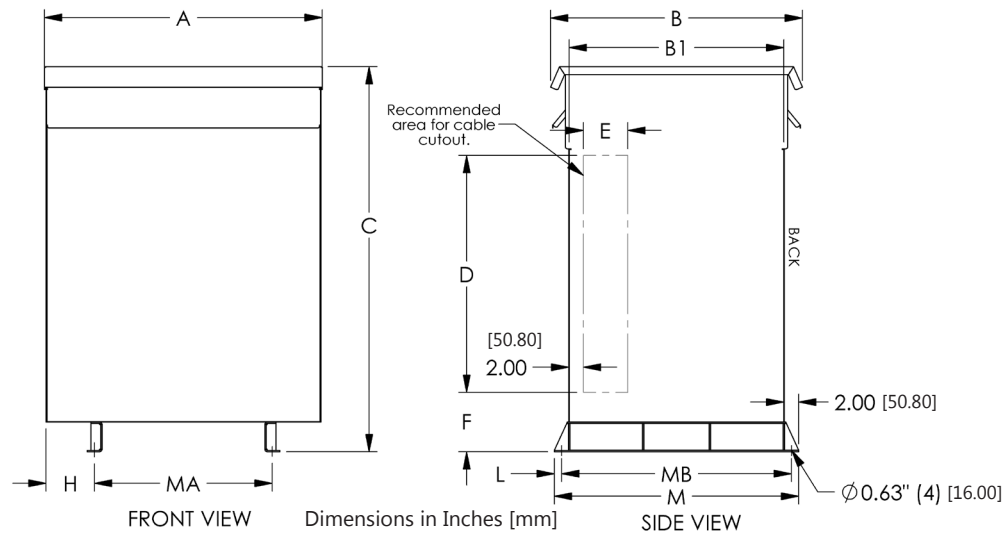
Case Style	Dimensions in Inches [mm]														
	A	A1	B	B1	C	D	E	F	G	H	K	L	MA	MB	
DH2	25.8 [656]	23.3 [592]	23.8 [605]	18 [458]	28.8 [732]	17 [432]	2 [51]	8 [204]	10.3 [262]	8.6 [219]	1.75 X 2.50 K.O. [45 X 64]	3.8 [97]	24.6 [625]	9 [229]	

¹ Knockout (K) sizes are actual diameters of knockout, not conduit sizes.



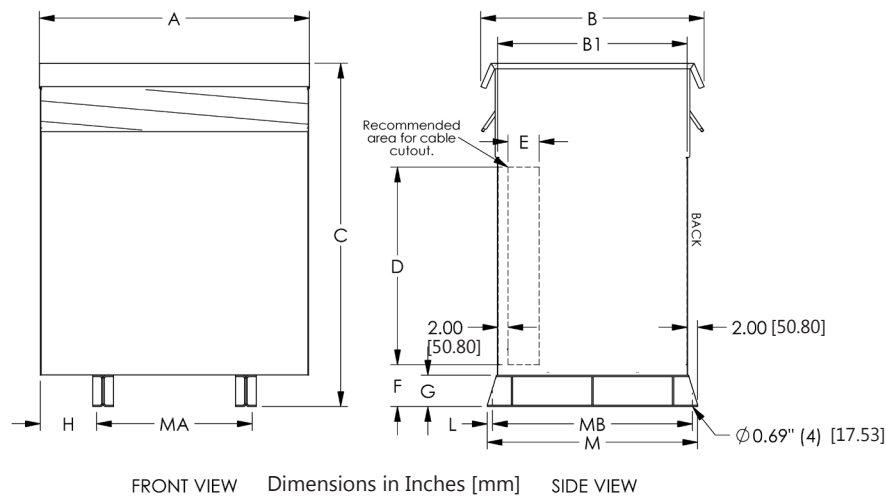
Case Style	Dimensions in Inches [mm]											
	A	B	B1	C	D	E	H	K	L	M	MA	MB
DH3	28.3 [719]	27 [686]	22 [559]	36 [915]	22 [559]	3 [77]	12 [305]	2.00 X 3.00 K.O. [51 X 77]	1 [26]	26 [661]	21.5 [547]	24 [610]
DH4	31.5 [801]	29.5 [750]	24.5 [623]	44.5 [1131]	27.5 [699]	3 [77]	14.5 [369]	2.00 X 3.00 K.O. [51 X 77]	1 [26]	28.5 [724]	23.5 [597]	26.5 [674]

¹ Knockout (K) sizes are actual diameters of knockout, not conduit sizes.



Case Style	Dimensions in Inches [mm]											
	A	B	B1	C	D	E	F	H	L	M	MA	MB
DH5	38 [966]	34 [864]	29 [737]	52 [1321]	32 [813]	6 [153]	8 [204]	6.6 [168]	1 [26]	33 [839]	24 [610]	31 [788]

¹ Knockout (K) sizes are actual diameters of knockout, not conduit sizes.



Case Style	Dimensions in Inches [mm]												
	A	B	B1	C	D	E	F	G	H	L	M	MA	MB
DH6	49 [1245]	42 [1067]	35 [889]	64 [1626]	32 [813]	6 [153]	10 [254]	6 [153]	9.3 [237]	1 [26]	39 [991]	30 [762]	37 [940]
DH7	54 [1372]	47 [1194]	40 [1016]	72 [1829]	40 [1016]	8 [204]	10 [254]	6 [153]	8.8 [224]	1 [26]	44 [1118]	36 [915]	42 [1067]
DH8	60 [1524]	50 [1270]	43 [1093]	82 [2083]	50 [1270]	10 [254]	10 [254]	6 [153]	9.8 [249]	1 [26]	47 [1194]	40 [1016]	45 [1143]
DH9	68 [1728]	50 [1270]	43 [1093]	82 [2083]	40 [1016]	10 [254]	10 [254]	6 [153]	11.8 [300]	1 [26]	47 [1194]	44 [1118]	45 [1143]
DH10	78 [1982]	55 [1397]	48 [1220]	86 [2185]	46 [1169]	10 [254]	10 [254]	6 [153]	14.8 [376]	1 [26]	52 [1321]	48 [1220]	50 [1270]

¹ Knockout (K) sizes are actual diameters of knockout, not conduit sizes.

Data subject to change without notice.

Enclosure Mounting Kits

ENCLOSURE MOUNTING KITS

If wall and/or ceiling mounting is desired for a transformer, optional mounting kits can be ordered separately. These mounting kits are NOT available for all enclosure case styles. Therefore, it is important that you confirm your enclosure case style, then use the selection table to the right to determine if A) a mounting kit is available and B) determine the correct HPS "Mounting Kit" part number that you must order. One kit is required for each transformer.

Note: Some of the mounting kits can be used for both wall and ceiling mount, while others are for wall mounting only. The table indicates which mounting methods are available for each kit. The NW2 and DW3 wall/ceiling mounting kit also includes a drip plate.

The NW2 and DW3 wall/ceiling mounting kit is only designed for units up to 800 pounds (341 kg) maximum.

If it is intended to wall and/or ceiling mount an enclosure that does not have a wall/ceiling mount kit available, considerations must be made to mechanically support the transformer safely and to install per the local building code. A drip plate must be provided beneath the enclosure per UL 1562 and CSA C22.2 No. 47.

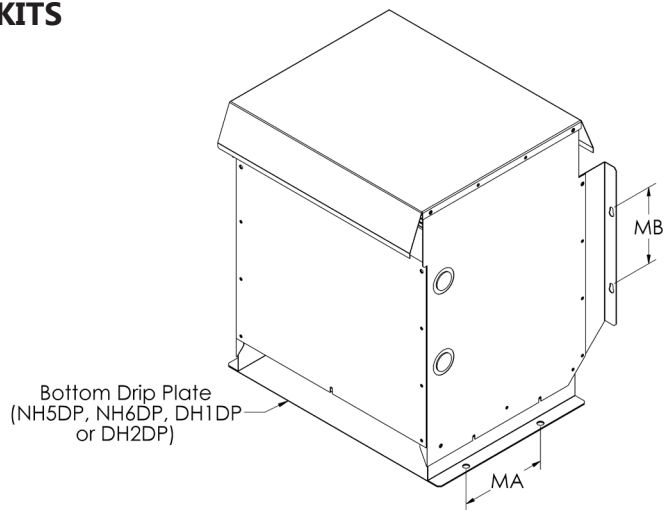
Enclosure Case Style	Wall Mount Available	Ceiling Mount Available	HPS Mounting Kit P/N
DH2	Yes	Yes	DH2DP
DH3	Yes	Yes	DW3
DH4	No	No	N/A
DH5	No	No	N/A
DH6	No	No	N/A
DH7	No	No	N/A
DH8	No	No	N/A
DH9	No	No	N/A
DH10	No	No	N/A
NJ2	No	No	N/A
NJ4	No	No	N/A
NH3	Yes	Yes	NW2
NH4	No	No	N/A
NH6	Yes	Yes	NH6DP

DH2DP, NH6DP WALL/CEILING MOUNTING KITS

The DH2 and NH6 enclosures are designed with integral wall mounting capabilities. However, when you wall mount them, you must also install the bottom drip plate as shown below. The "MB" dimensions listed in the table below indicate the location for the wall mounting hardware.

For ceiling mounting of the DH2 and NH6, refer to the "MA" dimensions listed in the table below and hang the enclosure using appropriate sized ceiling hanger rods. However, you must be sure to install the bottom drip plate to the bottom of the enclosure, then bring the hanger rod down through both the enclosure bottom mounting holes, through the drip plate mounting holes, and install mounting hardware.

Note: Do not ceiling mount either the DH2 or NH6 enclosures without installing the bottom drip plate. All mounting hardware should be rated Grade 8 or higher.



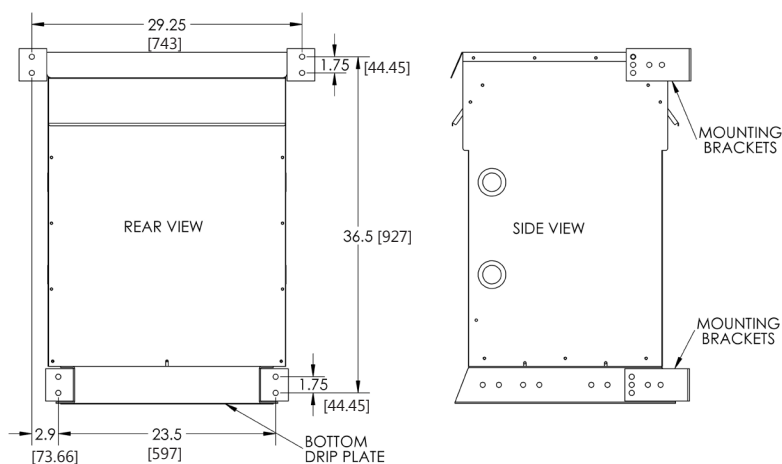
Mounting Kit P/N	Enclosure Style	MA Dimension	MB Dimension
NH6DP	NH6	9.00 [229]	8.00 [204]
DH2DP	DH2	9.00 [229]	8.00 [204]

Dimensions in Inches [mm]

NW2, DW3 WALL MOUNTING KIT DIMENSIONS

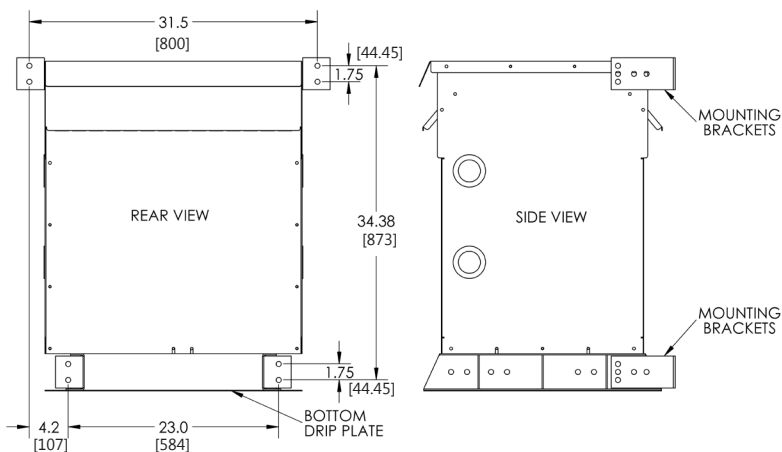
The following drawings detail the wall mounting dimensions required and method by which the NW2 and DW3 kits are installed on the NH3 and DH3 enclosures. The NW2 and DW3 wall mounting kit also includes a drip plate.

NW2 Wall Mount Dimensions



Dimensions in Inches [mm]

DW3 Wall Mount Dimensions



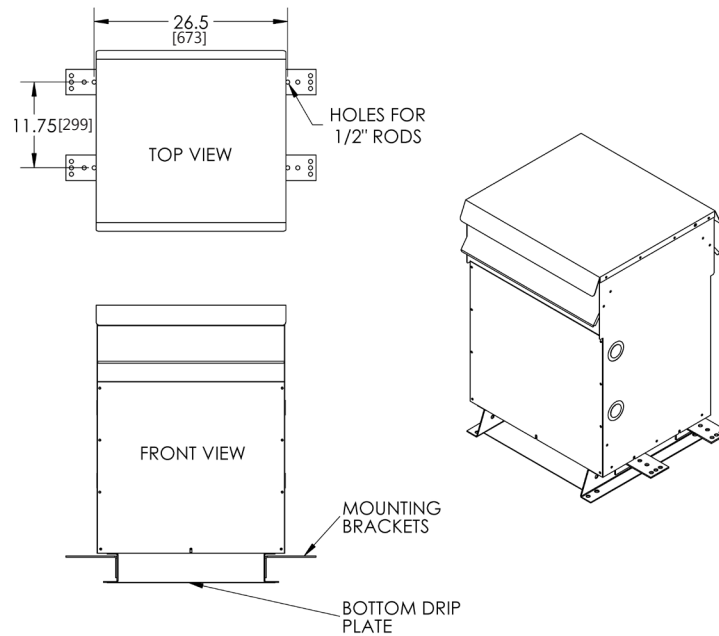
Dimensions in Inches [mm]

Enclosure Ceiling Mounting Dimensions

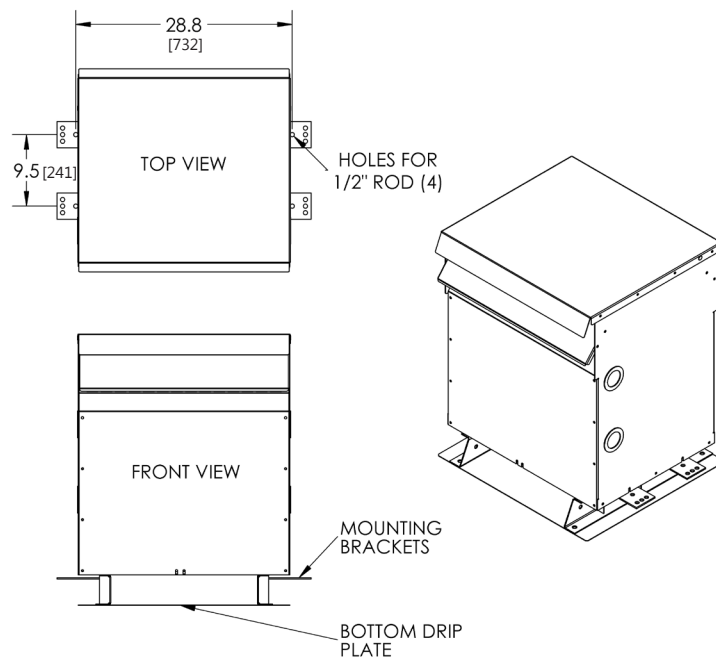
NW2, DW3 CEILING MOUNTING KIT DIMENSIONS

The following drawings detail the ceiling mounting dimensions required and method by which the NW2 and DW3 kits are installed on the NH3 and DH3 enclosures

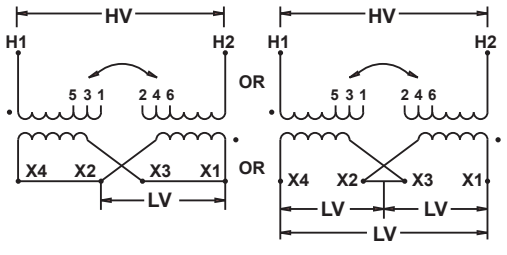
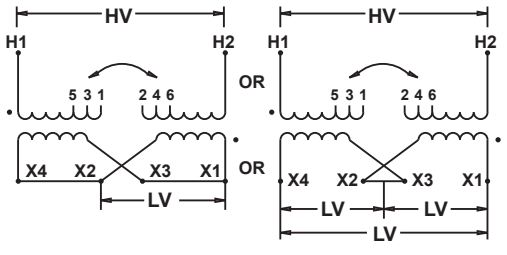
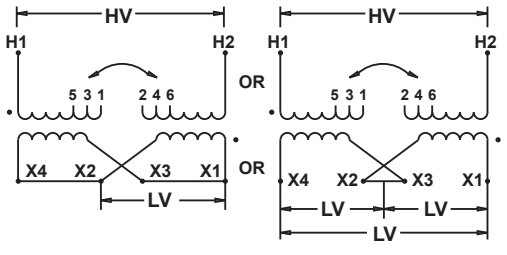
NW2 Ceiling Mount - Mounting Dimensions for NH3 Enclosure



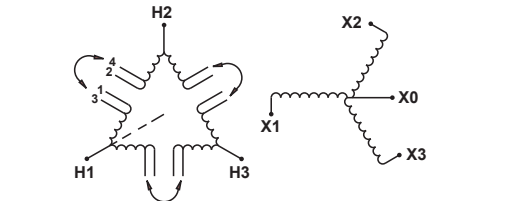
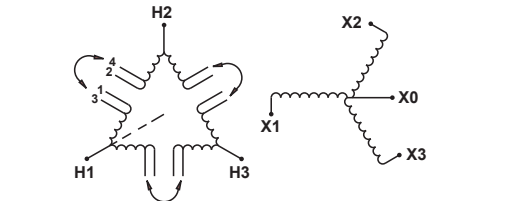
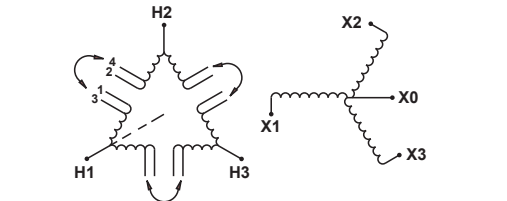
DW3 Ceiling Mount - Mounting Dimensions for DH3 Enclosures



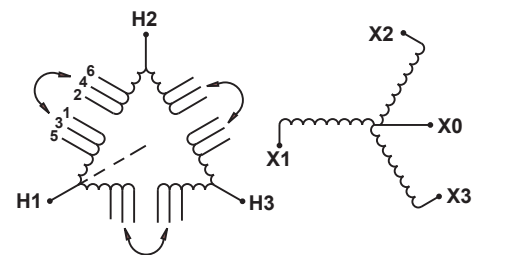
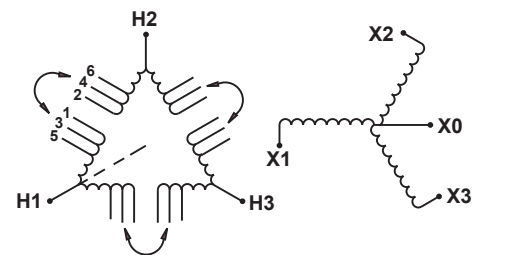
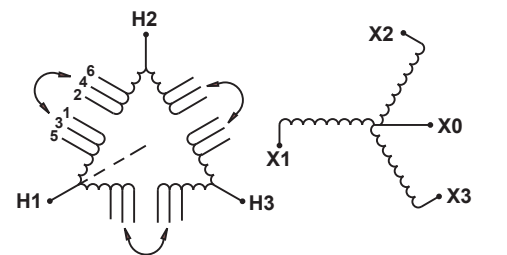
SCD 6

SCHEMATIC		CONNECTIONS			
		Primary Volts		Connect lines to	Inter-connect
		218 277 291 437 504 630 2520 4368	H1, H2	1-2	
		Secondary Volts		Connect lines to	Inter-connect
		240	X1, X4	X2-X3	
		120/240		X1, X2, X4	X2-X3
		120	X1, X2	X2-X4, X1-X3	

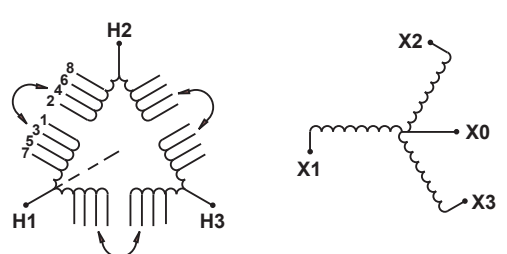
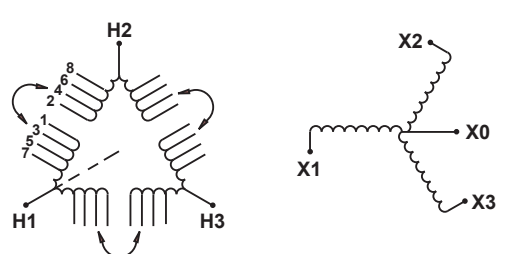
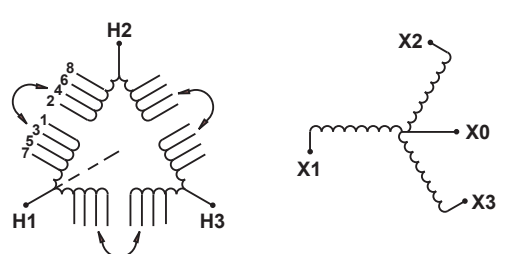
SCD 8

SCHEMATIC		CONNECTIONS			
		% Voltage		Connect lines to	Inter-connect
		105.0%		H1, H2, H3	1-2
		100.0%		H1, H2, H3	2-3
		95.0%		H1, H2, H3	3-4
		Secondary Volts		Connect lines to	
		208 230 240 380 416 460 480 600		X1, X2, X3	
		120 133 139 220 240 265 277 347		X1, X0	X2, X0 X3, X0

SCD 10

SCHEMATIC		CONNECTIONS			
		% Voltage		Connect lines to	Inter-connect
		105.0%		H1, H2, H3	1-2
		102.5%		H1, H2, H3	2-3
		100.0%		H1, H2, H3	3-4
		97.5%		H1, H2, H3	4-5
		95.0%		H1, H2, H3	5-6
		Secondary Volts		Connect lines to	
		208 380 416 480 600		X1, X2, X3	
		120 220 240 277 347		X1, X0 X2,X0 X3,X0	

SCD 20

SCHEMATIC		CONNECTIONS			
		% Voltage		Connect lines to	Inter-connect
		105.0%		H1, H2, H3	1-2
		102.5%		H1, H2, H3	2-3
		100.0%		H1, H2, H3	3-4
		97.5%		H1, H2, H3	4-5
		95.0%		H1, H2, H3	5-6
		92.5%		H1, H2, H3	6-7
		90.0%		H1, H2, H3	7-8
		Secondary Volts		Connect lines to	
208 480		X1, X2, X3			
120 277		X1, X0 X2, X0 X3, X0			

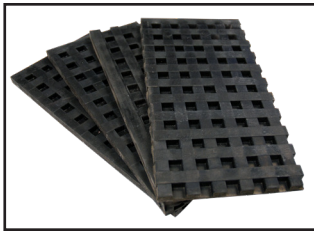
Anti-Vibration Pad & Vibration Isolator Kits

ANTI-VIBRATION PAD AND VIBRATION ISOLATOR KITS

All standard transformers come with installed internal vibration absorbing pads to minimize noise during operation. Optional external "anti-vibration" pad and "vibration isolator" (for higher noise dampening) kits can be used to reduce operating noise even further. All are resistant to industrial contaminants like oil, acids and alkalines.

Anti-Vibration Pad Kits

Part No.	Case Style	Description
P1	NH Series	Set of four (4) rubber anti-vibration pads which replace the standard steel enclosure washers.
P2	NJ Series	
PD1	DH1-DH5	
PD2	DH6-DH8	



All anti-vibration pad kits and vibration isolator kits contain a set of four (4) pads or isolators. Therefore only one kit is required per transformer.

Vibration Isolator Kits

Part No.	Transformer Weight (Lbs.) [kg]	Description
NMP1	Up to 340 lbs [Up to 160 kgs]	Set of four (4) molded neoprene and steel plate assemblies that virtually eliminate vibration noise between the transformer and the mounting surface.
NMP2	341 to 680 lbs [161 to 310 kgs]	
NMP3	681 to 1040 lbs [311 to 480 kgs]	
NMP4	1041 to 1740 lbs [481 to 790 kgs]	
NMP5	1741 to 2330 lbs [791 to 1060kgs]	
NMP6	2331 to 3450 lbs [1061 to 1570 kgs]	
NMP7	3451 to 4690 lbs [1571 to 2130 kgs]	



All vibration isolator kits and anti-vibration pad kits contain a set of four (4) pads or isolators. Therefore only one kit is required per transformer.



ALTITUDE DERATING FACTOR

Altitude (FT)	kVA Correction	BIL Correction
3300	1.00	1.00
4000	0.994	0.98
5000	0.985	0.95
6000	0.975	0.92
7000	0.966	0.89
8000	0.957	0.86
9000	0.948	0.83
10,000	0.939	0.80
11,000	0.930	0.77
12,000	0.921	0.75
13,000	0.912	0.72
14,000	0.903	0.70
15,000	0.894	0.67

Per IEEE 100m = 330 ft

Other HPS Energy Efficient Products



ENERGY EFFICIENT GENERAL PURPOSE DISTRIBUTION TRANSFORMERS

Generally used for supplying appliance, lighting, heating, motorized machine and power loads from electrical distribution systems.

Standard features include:

HPS Sentinel® G

- Meets new DOE 2016 and NRCAN 2019 efficiency standards
- 10kV BIL on all three phase transformers



ENERGY EFFICIENT K-FACTOR TRANSFORMERS

The use of K-factor distribution transformers has become a popular means of supplying power for non-linear loads such as electronic ballasts, drives, personal computers, telecommunications equipment, broadcasting equipment and other similar power electronics. These non-linear loads generate harmonic currents which can substantially increase transformer losses. Our K-rated transformers have been specifically designed to prevent failure due to overheating.

Standard features include:

HPS Sentinel® K

- K-Factor ratings of K4, K9, K13 and K20
- Meets new DOE 2016 and NRCAN 2019 efficiency standards
- 10kV BIL on all transformers



ENERGY EFFICIENT HARMONIC MITIGATING TRANSFORMERS

HPS Harmonic Mitigating transformers reduce voltage distortion (flat-topping) and power losses due to current harmonics created by single-phase, non-linear loads such as computer equipment. They treat sequence harmonics (3rd, 9th and 15th) within the secondary windings and 5th and 7th harmonics upstream with appropriate phase shifting. Typical applications of severe non-linear loading conditions include data centers, internet-service providers, telecom sites, call centers, broadcast centers, etc.

Standard features include:

HPS Sentinel® H

- K-Factor rating of K13 (others available on request)
- Meets new DOE 2016 and NRCAN 2019 efficiency standards
- 10kV BIL on all transformers





ENERGY EFFICIENT DRIVE ISOLATION TRANSFORMERS

HPS Tribune™ drive isolation transformers are suitable for both AC and DC variable speed drives. They are sized to match standard motor horsepower and voltage ratings.

Standard features include:

- Meets NRCAN 2019
- Three phase ratings from 7 kVA to 660 kVA
- Available in aluminum, copper and optional shield
- UL Listed and CSA Certified
- Type 3R enclosure (optional Type 4, 12 or stainless)

HPS ENDURACOIL™ CAST RESIN TRANSFORMERS

HPS EnduraCoil™ is a high-performance cast resin product designed for many demanding and diverse applications. Coils are precision wound with copper or aluminum conductors that are electrically balanced to minimize axial forces during short-circuit conditions.

Standard features include:

- kVA ratings from 300 to 3000 ANN, 4000 AFN, up to 34.5 kV Class
- Enclosure options (Type 1, 2, 3R, 3RE, 4, 12; other paint colors or stainless steel)
- Standard options
- UL Listed and CSA Certified
- Meets new DOE 2016 and NRCAN 2019 efficiency standards



DRY-TYPE MEDIUM VOLTAGE (POWER) DISTRIBUTION TRANSFORMERS

Our medium voltage (power) distribution transformers are regarded for their high level of quality and service reliability that has become synonymous with HPS transformer products. These transformers are suitable for any commercial, industrial, or renewable energy application within the most demanding of environments.

Standard features include:

- Ratings up to 34 MVA and 46 kV class
- Enclosure options (Type 1, 2, 3R, 3RE, 4, 12; other paint colors or stainless steel)
- Multiple standard options

HPS Millennium E™

- Meets DOE 2016 and NRCAN 2019 efficiency standards





CANADA

Hammond Power Solutions
595 Southgate Drive
Guelph, Ontario N1G 3W6
Tel: (519) 822-2441
Fax: (519) 822-9701
Toll Free: 1-888-798-8882
sales@hammondpowersolutions.com

MEXICO

Hammond Power Solutions
Av. No. 800, Parque Industrial Guadalupe
Guadalupe, NL, Mexico, C.P. 67190.
Tel: (819) 690-8000
Toll Free: 1-888-798-8882
sales@hammondpowersolutions.com

UNITED STATES

Hammond Power Solutions
1100 Lake Street
Baraboo, Wisconsin 53913-2866
Tel: (608) 356-3921
Fax: (608) 355-7623
Toll Free: 1-866-705-4684
sales@hammondpowersolutions.com

ASIA

Hammond Power Solutions Pvt. Ltd.
D. No. 5-2/222/IP/B, II-Floor, Icon Plaza
Allwyn X-Roads, Miyapur, Hyderabad 500 049
Tel: +91-994-995-0009
marketing-india@hammondpowersolutions.com

EMEA (Sales Office)

Hammond Power Solutions SpA
Tel: +49 (152) 08800468
sales-emea@hammondpowersolutions.com