

CATALOG

# eOT (Non-Fused) and eOS (Fused) Enclosed Rotary Switches



ABB is distributed by Gross Automation!  
+1(262)252-1600 or [sales@grossautomation.com](mailto:sales@grossautomation.com)

—  
**Energizing your equipment safely and efficiently doesn't have to be complex. We know that switches are a small part of a much bigger picture — it's time they started supporting your design goals with simple selection and easy installation. With ABB's expanded Enclosed Rotary Switches range, it's now simpler than ever to find the switch that fits your project .**

---

# Table of contents

<b>004–008</b>	<b>Overview</b>
<b>009–011</b>	<b>EOT520 ... EOT580 3-pole UL 508, non-fused</b>
<b>012–014</b>	<b>EOT520 ... EOT580 6-pole UL 508, non-fused</b>
<b>015–016</b>	<b>EOT520 ... EOT580 3-pole UL 508, changeover</b>
<b>017–020</b>	<b>EOT930 ... EOT9600 3-pole UL 98, non-fused</b>
<b>021–024</b>	<b>EOT930 ... EOT9600 4-pole UL 98, non-fused</b>
<b>025–028</b>	<b>EOT930 ... EOT9600 6-pole UL 98, non-fused</b>
<b>029–031</b>	<b>EOT930 ... EOT9600 3-pole UL 98, changeover</b>
<b>032–035</b>	<b>EOS930 ... EOS9600 3-pole UL 98, fused</b>
<b>036–074</b>	<b>Accessories</b>
<b>075–077</b>	<b>Dimensions: UL 508, non-fused</b>
<b>077</b>	<b>Dimensions: UL 508, changeover</b>
<b>078–087</b>	<b>Dimensions: UL 98, non-fused</b>
<b>088–097</b>	<b>Dimensions: UL 98, changeover</b>
<b>098–107</b>	<b>Dimensions: UL 98, fused</b>

# There's a switch that fits

## Enclosed Rotary Switches

What if you could find the right fit to enhance the safety of any asset? With the eOS and eOT range, it really is that easy.

eOT and eOS Enclosed Rotary Switches by ABB have been designed to deliver world-class performance in even the most extreme conditions. Our extensive range of reliable enclosed switches — both fused and non-fused — ensures we have your application needs covered.

**Improving safety and reliability has never been this simple.**



### Relentless uptime?

There's a switch for that.

Years of nearly maintenance-free safety — that's the standard we've set for every switch in our range.



### Diverse applications?

There's a switch that fits.

No need to scour the market for each requirement. You'll find the right fit, in one of the most diverse ranges around.



### Effortless design?

Just add ABB.

Select Switches and integrate them into your designs easily. It's simple with compact enclosures and configuration tools.

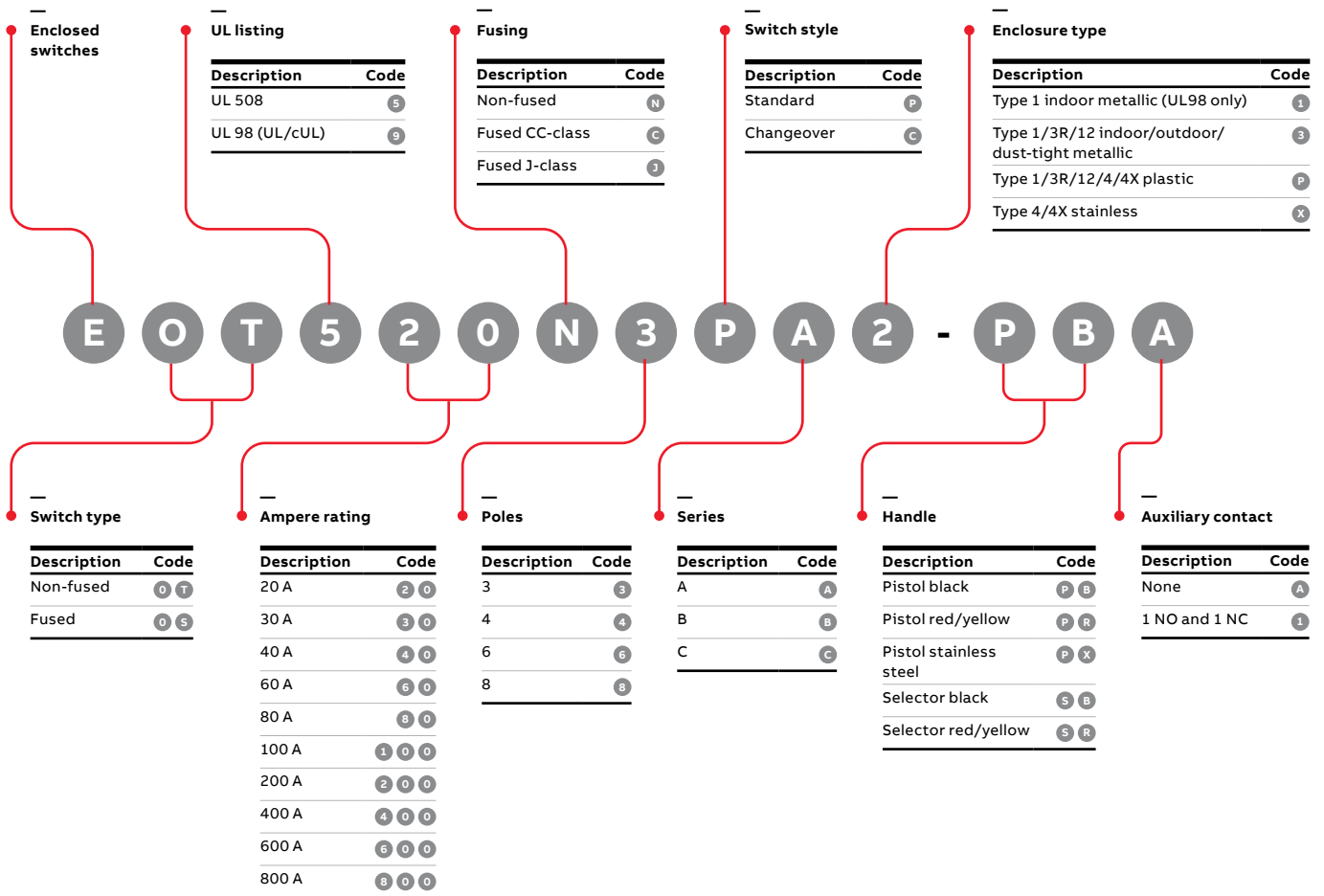
**ABB is distributed by Gross Automation!**  
 +1(262)252-1600 or [sales@grossautomation.com](mailto:sales@grossautomation.com)

# Enclosed Rotary Switches

## General information

The eOS and eOT series of Enclosed Rotary Switches are available in a wide range of options to suit your application.

- Enclosure NEMA types 1, 3R, 4X stainless steel and 4 plastic
- UL 98 listed 30–600 A; UL 508 listed 20–80 A
- Fused (eOS) and non-fused (eOT) options
- Rated up to 600 V
- 3-pole, 6-pole and 3-pole changeover
- Pistol and selector switch operators
- Auxiliary contacts



## EOT520 ... EOT580 Enclosed Rotary Switches (Non-Fused)

Technical data

UL 508

Technical data according to UL/CSA, AC ratings

Switch type		EOT520		EOT530		EOT540		EOT560		EOT580			
		Approval	cUL <sub>us</sub> Listed		cUL <sub>us</sub> Listed		cUL <sub>us</sub> Listed		cUL <sub>us</sub> Listed		cUL <sub>us</sub> Listed		
		File #	E537490		E537490		E537490		E537490		E537490		
		Compliance	UL 508		UL 508		UL 508		UL 508		UL 508		
General purpose amp rating	pf= 0.7...0.8	-40 °C to 40 °C	20 A		30 A		40 A		60 A		80 A		
Max. operating voltage			600 V		600 V		600 V		600 V		600 V		
Max. horsepower rating/motor FLA current	pf= 0.4...0.5	240 V	5 hp/15.2 A		7.5 hp/22.0 A		10 hp/28.0 A		15 hp/42.0 A		20 hp/54.0 A		
		480 V	10 hp/14.0 A		15 hp/21.0 A		20 hp/27.0 A		30 hp/40.0 A		40 hp/52.0 A		
	Three phase	600 V	10 hp/11.0 A		20 hp/22.0 A		25 hp/27.0 A		30 hp/32.0 A		40 hp/41.0 A		
		Single phase	120 V	1 hp/16.0 A		1.5 hp/20.0 A		2 hp/24.0 A		2 hp/24.0 A		2 hp/24.0 A	
			240 V	2 hp/12.0 A		3 hp/17.0 A		5 hp/28.0 A		7.5 hp/40.0 A		10 hp/50.0 A	
			480 V	5 hp/14.0 A		7.5 hp/21.0 A		10 hp/26.0 A		15 hp/34.0 A		20 hp/44.0 A	
600 V	7.5 hp/16.0 A		10 hp/20.0 A		15 hp/27.0 A		15 hp/27.0 A		20 hp/38.5 A				
Short circuit rating with fuse	Maximum fuse size		30 A	60 A	30 A	60 A	30 A	60 A	100 A	150 A	100 A	150 A	
		Fuse type	J	10 kA	10 kA	10 kA	10 kA	10 kA	10 kA	100 kA	–	100 kA	–
	Fuse type	T	10 kA	10 kA	10 kA	10 kA	10 kA	10 kA	100 kA	–	100 kA	–	
	Fuse type	RK1	10 kA	–	10 kA	–	10 kA	–	–	–	–	–	
	Fuse type	RK5*	5 kA	5 kA	5 kA	5 kA	5 kA	5 kA	10 kA	5 kA	10 kA	5 kA	
	Fuse type	L	–	–	–	–	–	–	–	–	–	–	
	Fuse type	H	–	–	–	–	–	–	–	5 kA	–	5 kA	

\* Fuse size 70 A for RK5.

### Endurances

Min. electrical endurance, pf. 0.75...0.8		6000 oper.	6000 oper.	6000 oper.	6000 oper.	6000 oper.	6000 oper.	6000 oper.	6000 oper.	6000 oper.
Mechanical endurance		20,000 oper.	20,000 oper.	20,000 oper.	20,000 oper.	20,000 oper.	20,000 oper.	20,000 oper.	20,000 oper.	20,000 oper.
Terminal lugs		Integrated	Integrated	Integrated	Integrated	Integrated	Integrated	Integrated	Integrated	Integrated
Copper wire range	60–75 °C	18–8 AWG	18–8 AWG	18–8 AWG	14–4 AWG	14–4 AWG	14–4 AWG	14–4 AWG	14–4 AWG	8–1/0 AWG
Torque	Wire tightening	0.8 Nm/ 7 lb. in.	0.8 Nm/ 7 lb. in.	0.8 Nm/ 7 lb. in.	2 Nm/ 18 lb. in.	2 Nm/ 18 lb. in.	6.2 Nm/ 55 lb. in.	6.2 Nm/ 55 lb. in.	6.2 Nm/ 55 lb. in.	6.2 Nm/ 55 lb. in.

ABB is distributed by Gross Automation!  
+1(262)252-1600 or sales@grossautomation.com

## EOT930... EOT9600 Enclosed Rotary Switches (Non-Fused)

Technical data

UL 98

Switch type		EOT930	EOT960	EOT9100	EOT9200	EOT9400	EOT9600				
	Approval	cUL <sub>US</sub> Listed	cUL <sub>US</sub> Listed	cUL <sub>US</sub> Listed	cUL <sub>US</sub> Listed	cUL <sub>US</sub> Listed	cUL <sub>US</sub> Listed				
	File #	E226345	E226345	E226345	E226345	E226345	E226345				
	Compliance	UL 98	UL 98	UL 98	UL 98	UL 98	UL 98				
<b>Technical data according to UL/CSA AC ratings</b>											
General purpose amp rating	pf= 0.7...0.8	-40 °C to 40 °C	30 A	60 A	100 A	200 A	400 A	600 A			
Max. operating voltage			600 V	600 V	600 V	600 V	600 V	600 V			
Max. horsepower rating / max. motor FLA current	pf= 0.4...0.5	240 V	10 hp/ 28.0 A	20 hp/ 54.0 A	30 hp/ 80.0 A	75 hp/ 192.0 A	125 hp/ 312.0 A	200 hp/ 480 A			
		Three phase	480 V	20 hp/ 27.0 A	40 hp/ 52.0 A	50 hp/ 65.0 A	150 hp/ 180.0 A	250 hp/ 302.0 A	450 hp/ 515.0 A		
		600 V	30 hp/ 32.0 A	40 hp/ 41.0 A	50 hp/ 52.0 A	200 hp/ 192.0 A	350 hp/ 336.0 A	500 hp/ 472.0 A			
	Single phase	120 V	2 hp/ 24.0 A	3 hp/ 34.0 A	5 hp/ 56.0 A						
		240 V	5 hp/ 28.0 A	7.5 hp/ 40.0 A	15 hp/ 68.0 A						
		480 V	-	-	25 hp/ 55.0 A						
		600 V	-	-	20 hp/ 35.0 A						
Short circuit rating with fuse	Maximum fuse size		60 A	60 A	150 A	100 A					
	Fuse type	J	200 kA	200 kA	50 kA	200 kA	200 kA	100 kA	100 kA	-	100 kA
		T	200 kA	200 kA	50 kA	200 kA	-	100 kA	-	-	100 kA
	Fuse type	RK1	-	-	-	-	-	-	-	-	-
		RK5	-	-	-	-	-	-	-	100 kA	-
		L	-	-	-	-	-	-	-	-	100 kA
H		-	-	-	-	-	-	-	-	-	
Maximum fuse size						200 A	350 A	600 A	600 A	800 A	
Current rating	at 250 V DC						200 A	400 A	600 A	600 A	
	at 600 V DC						100 A	200 A	200 A	200 A	
DC horsepower rating for 4-pole switch							50 HP	50 HP		-	
DC short circuit rating for 4-pole switch							10 kA	10 kA		10 kA	
Min. electrical endurance, pf. 0.75...0.8	Oper. cycles		6000	6000	6000	6000	6000	1000		1000	
		Divide by two for operation cycles	20,000 oper.	20,000 oper.	20,000 oper.	20,000 oper.	20,000 oper.	16,000 oper.		10,000 oper.	
Mechanical endurance											
Terminal lugs		Integrated	Integrated	Integrated	Optional	Optional	Optional	Optional	Optional	Optional	
Copper wire range	60–75° C	14–4 AWG	14–4 AWG	8–1/0 AWG							
Terminal lug kits (optional)	75° C wire				OZXA-200	OZXA-400		OZXA-800			
Wire range					4–300 MCM AWG	2–600 MCM AWG		2 x 2–600 MCM AWG			
Torque	Wire tightening	55 lb. in./ 6.2 Nm	55 lb. in./ 6.2 Nm	55 lb. in./ 6.2 Nm	200 lb. in./ 22.6 Nm	375 lb. in./ 42.4 Nm		500 lb. in./ 56.2 Nm			
	Lug mounting				72 lb. in./ 8.1 Nm	240 lb. in./ 27.1 Nm		480 lb. in./ 54.2 Nm			

## EOS930 ... EOS9600 Enclosed Rotary Switches (Fused)

Technical data

UL 98

			EOS930	EOS960	EOS9100	EOS9200	EOS9400	EOS9600
Approvals <sup>1)</sup>	Approval		cUL <sub>US</sub> Listed	cUL <sub>US</sub> Listed	cUL <sub>US</sub> Listed	cUL <sub>US</sub> Listed	cUL <sub>US</sub> Listed	cUL <sub>US</sub> Listed
	File #		E226345	E226345	E226345	E226345	E226345	E226345
	Compliance		UL 98	UL 98	UL 98	UL 98	UL 98	UL 98
<b>Technical data according to UL/CSA</b>								
General purpose amp rating	pf= 0.7...0.8	up to 40 ° C	30 A	60 A	100 A	200 A	400 A	600 A
Max. operating voltage			600 V AC	600 V AC	600 V AC	600 V AC	600 V AC	600 V AC
			250 V DC	250 V DC	250 V DC	250 V DC	250 V DC	250 V DC
Max. horsepower rating/ motor FLA current	pf= 0.4...0.5 Three phase	240 V	7.5 hp/ 22.0 A	15 hp/ 42.0 A	30 hp/ 80.0 A	60 hp/ 154.0 A	125.0 hp/ 312.0 A	200 hp/ 480.0 A
		480 V	15 hp/ 21.0 A	30 hp/ 40.0 A	60 hp/ 77.0 A	125 hp/ 156.0 A	250.0 hp/ 302.0 A	400 hp/ 477.0 A
		600 V	20 hp/ 22.0 A	50 hp/ 52.0 A	75 hp/ 77.0 A	150 hp/ 144.0 A	350.0 hp/ 336.0 A	500 hp/ 472.0 A
Short circuit rating with fuse, 3- and 4-pole types	Short circuit rating at 600 V AC		200 kA	200 kA	200 kA	200 kA	200 kA	200 kA
Fuse	Max. fuse rating		30 A	60 A	100 A	200 A	400 A	600 A
	Type of fuse		J/CC	J	J	J	J	J
Min. electrical endurance	pf= 0.75...0.8	operation cycles	6000	6000	6000	6000	1000	1000
Terminal lug kits			Integral	Integral	OZXA-24	OZXA-200	OZXA-400	OZXA-800
Wire range			#18–8 AWG	#14–4 AWG	#14–2/0 AWG	#4–300 MCM	#2–600 MCM	<sup>(2)</sup> #2–600 MCM
Torque	Wire tightening		17 lb. in	30/35 lb. in <sup>3)</sup>	120 lb. in	200 lb. in	375 lb. in	500 lb. in
	Lug mounting		N/A	N/A	50 lb. in	72 lb. in	240 lb. in	480 lb. in

<sup>1)</sup> UL listed disconnects are also listed under CSA requirements.

<sup>2)</sup> Some fuse links limit these figures further. Starting current characteristics must be considered separately.

<sup>3)</sup> 30 lb. in with cable size #14-10, 35 lb. in with cable size #8-4.

## EOT520 ... EOT580 Enclosed Rotary Switches

3-pole UL 508, non-fused  
NEMA 3R/12 metal enclosure



EOT540N3PA3-SBA

3-pole UL 508, non-fused — NEMA 3R/12 metal enclosure

Amp rating (A)	Horsepower rating 3-phase			Handle type	Handle color	Auxiliary contacts	Catalog number	Weight / unit (lb / kg)
	240 V AC	480 V AC	600 V AC					
	HP	HP	HP					
20	5	10	10	Pistol	Black	-	EOT520N3PA3-PBA	2.30 / 1.04
					Red/yellow	-	EOT520N3PA3-PRA	2.30 / 1.04
					Black	1 NO + 1 NC	EOT520N3PA3-PR1	2.37 / 1.07
					Red/yellow	1 NO + 1 NC	EOT520N3PA3-PB1	2.37 / 1.07
				Selector	Black	-	EOT520N3PA3-SBA	2.30 / 1.04
					Red/yellow	-	EOT520N3PA3-SRA	2.30 / 1.04
					Black	1 NO + 1 NC	EOT520N3PA3-SB1	2.37 / 1.07
					Red/yellow	1 NO + 1 NC	EOT520N3PA3-SR1	2.37 / 1.07
30	7	15	20	Pistol	Black	-	EOT530N3PA3-PBA	2.30 / 1.04
					Red/yellow	-	EOT530N3PA3-PRA	2.30 / 1.04
					Black	1 NO + 1 NC	EOT530N3PA3-PB1	2.37 / 1.07
					Red/yellow	1 NO + 1 NC	EOT530N3PA3-PR1	2.37 / 1.07
				Selector	Black	-	EOT530N3PA3-SBA	2.30 / 1.04
					Red/yellow	-	EOT530N3PA3-SRA	2.30 / 1.04
					Black	1 NO + 1 NC	EOT530N3PA3-SB1	2.37 / 1.07
					Red/yellow	1 NO + 1 NC	EOT530N3PA3-SR1	2.37 / 1.07
40	10	20	25	Pistol	Black	-	EOT540N3PA3-PBA	2.30 / 1.04
					Red/yellow	-	EOT540N3PA3-PRA	2.30 / 1.04
					Black	1 NO + 1 NC	EOT540N3PA3-PB1	2.37 / 1.07
					Red/yellow	1 NO + 1 NC	EOT540N3PA3-PR1	2.37 / 1.07
				Selector	Black	-	EOT540N3PA3-SBA	2.30 / 1.04
					Red/yellow	-	EOT540N3PA3-SRA	2.30 / 1.04
					Black	1 NO + 1 NC	EOT540N3PA3-SB1	2.37 / 1.07
					Red/yellow	1 NO + 1 NC	EOT540N3PA3-SR1	2.37 / 1.07
60	15	30	30	Pistol	Black	-	EOT560N3PA3-PBA	3.35 / 1.52
					Red/yellow	-	EOT560N3PA3-PRA	3.35 / 1.52
					Black	1 NO + 1 NC	EOT560N3PA3-PB1	3.42 / 1.55
					Red/yellow	1 NO + 1 NC	EOT560N3PA3-PR1	3.42 / 1.55
				Selector	Black	-	EOT560N3PA3-SBA	3.35 / 1.52
					Red/yellow	-	EOT560N3PA3-SRA	3.35 / 1.52
					Black	1 NO + 1 NC	EOT560N3PA3-SB1	3.42 / 1.55
					Red/yellow	1 NO + 1 NC	EOT560N3PA3-SR1	3.42 / 1.55
80	20	40	40	Pistol	Black	-	EOT580N3PA3-PBA	3.79 / 1.72
					Red/yellow	-	EOT580N3PA3-PRA	3.79 / 1.72
					Black	1 NO + 1 NC	EOT580N3PA3-PB1	3.86 / 1.75
					Red/yellow	1 NO + 1 NC	EOT580N3PA3-PR1	3.86 / 1.75
				Selector	Black	-	EOT580N3PA3-SBA	3.79 / 1.72
					Red/yellow	-	EOT580N3PA3-SRA	3.79 / 1.72
					Black	1 NO + 1 NC	EOT580N3PA3-SB1	3.86 / 1.75
					Red/yellow	1 NO + 1 NC	EOT580N3PA3-SR1	3.86 / 1.75

## EOT520 ... EOT580 Enclosed Rotary Switches

3-pole UL 508, non-fused

NEMA 4/4X stainless steel enclosure



EOT520N3PAX-PBA

### 3-pole UL 508, non-fused — NEMA 4/4X stainless steel enclosure

Amp rating (A)	Horsepower rating 3-phase			Handle type	Handle color	Auxiliary contacts	Catalog number	Weight / unit (lb / kg)
	240 V AC HP	480 V AC HP	600 V AC HP					
20	5	10	10	Pistol	Black	–	EOT520N3PAX-PBA	2.30 / 1.04
					Red/yellow	–	EOT520N3PAX-PRA	2.30 / 1.04
					Stainless steel	–	EOT520N3PAX-PXA	2.30 / 1.04
					Black	1 NO + 1 NC	EOT520N3PAX-PR1	2.37 / 1.07
					Red/yellow	1 NO + 1 NC	EOT520N3PAX-PB1	2.30 / 1.04
					Stainless steel	1 NO + 1 NC	EOT520N3PAX-PX1	2.30 / 1.04
30	7	15	20	Pistol	Black	–	EOT530N3PAX-PBA	2.30 / 1.04
					Red/yellow	–	EOT530N3PAX-PRA	2.30 / 1.04
					Stainless steel	–	EOT530N3PAX-PXA	2.30 / 1.04
					Black	1 NO + 1 NC	EOT530N3PAX-PB1	2.37 / 1.07
					Red/yellow	1 NO + 1 NC	EOT530N3PAX-PR1	2.30 / 1.04
					Stainless steel	1 NO + 1 NC	EOT530N3PAX-PX1	2.30 / 1.04
40	10	20	25	Pistol	Black	–	EOT540N3PAX-PBA	2.30 / 1.04
					Red/yellow	–	EOT540N3PAX-PRA	2.30 / 1.04
					Stainless steel	–	EOT540N3PAX-PXA	2.30 / 1.04
					Black	1 NO + 1 NC	EOT540N3PAX-PB1	2.37 / 1.07
					Red/yellow	1 NO + 1 NC	EOT540N3PAX-PR1	2.30 / 1.04
					Stainless steel	1 NO + 1 NC	EOT540N3PAX-PX1	2.30 / 1.04
60	15	30	30	Pistol	Black	–	EOT560N3PAX-PBA	3.35 / 1.52
					Red/yellow	–	EOT560N3PAX-PRA	3.35 / 1.52
					Stainless steel	–	EOT560N3PAX-PXA	3.35 / 1.52
					Black	1 NO + 1 NC	EOT560N3PAX-PB1	3.42 / 1.55
					Red/yellow	1 NO + 1 NC	EOT560N3PAX-PR1	3.42 / 1.55
					Stainless steel	1 NO + 1 NC	EOT560N3PAX-PX1	3.42 / 1.55
80	20	40	40	Pistol	Black	–	EOT580N3PAX-PBA	3.79 / 1.72
					Red/yellow	–	EOT580N3PAX-PRA	3.79 / 1.72
					Stainless steel	–	EOT580N3PAX-PXA	3.79 / 1.72
					Black	1 NO + 1 NC	EOT580N3PAX-PB1	3.86 / 1.75
					Red/yellow	1 NO + 1 NC	EOT580N3PAX-PR1	3.86 / 1.75
					Stainless steel	1 NO + 1 NC	EOT580N3PAX-PX1	3.86 / 1.75

## EOT520 ... EOT580 Enclosed Rotary Switches

3-pole UL 508, non-fused

NEMA 4/4X plastic enclosure



EOT520N3PAP-PBA

### 3-pole UL 508, non-fused — NEMA 4/4X plastic enclosure

Amp rating (A)	Horsepower rating 3-phase			Handle type	Handle color	Auxiliary contacts	Catalog number	Weight / unit (lb / kg)
	240 V AC	480 V AC	600 V AC					
	HP	HP	HP					
20	5	10	10	Pistol	Black	–	EOT520N3PAP-PBA	1.80 / 0.82
					Red/yellow	–	EOT520N3PAP-PRA	1.80 / 0.82
					Black	1 NO + 1 NC	EOT520N3PAP-PB1	1.87 / 0.85
					Red/yellow	1 NO + 1 NC	EOT520N3PAP-PR1	1.87 / 0.85
				Selector	Black	–	EOT520N3PAP-SBA	1.80 / 0.82
					Red/yellow	–	EOT520N3PAP-SRA	1.80 / 0.82
					Black	1 NO + 1 NC	EOT520N3PAP-SB1	1.87 / 0.85
					Red/yellow	1 NO + 1 NC	EOT520N3PAP-SR1	1.87 / 0.85
30	7	15	20	Pistol	Black	–	EOT530N3PAP-PBA	1.80 / 0.82
					Red/yellow	–	EOT530N3PAP-PRA	1.80 / 0.82
					Black	1 NO + 1 NC	EOT530N3PAP-PB1	1.87 / 0.85
					Red/yellow	1 NO + 1 NC	EOT530N3PAP-PR1	1.87 / 0.85
				Selector	Black	–	EOT530N3PAP-SBA	1.80 / 0.82
					Red/yellow	–	EOT530N3PAP-SRA	1.80 / 0.82
					Black	1 NO + 1 NC	EOT530N3PAP-SB1	1.87 / 0.85
					Red/yellow	1 NO + 1 NC	EOT530N3PAP-SR1	1.87 / 0.85
40	10	20	25	Pistol	Black	–	EOT540N3PAP-PBA	1.80 / 0.82
					Red/yellow	–	EOT540N3PAP-PRA	1.80 / 0.82
					Black	1 NO + 1 NC	EOT540N3PAP-PB1	1.87 / 0.85
					Red/yellow	1 NO + 1 NC	EOT540N3PAP-PR1	1.87 / 0.85
				Selector	Black	–	EOT540N3PAP-SBA	1.80 / 0.82
					Red/yellow	–	EOT540N3PAP-SRA	1.80 / 0.82
					Black	1 NO + 1 NC	EOT540N3PAP-SB1	1.87 / 0.85
					Red/yellow	1 NO + 1 NC	EOT540N3PAP-SR1	1.87 / 0.85
60	15	30	30	Pistol	Black	–	EOT560N3PAP-PBA	1.35 / 0.61
					Red/yellow	–	EOT560N3PAP-PRA	1.35 / 0.61
					Black	1 NO + 1 NC	EOT560N3PAP-PB1	1.42 / 0.64
					Red/yellow	1 NO + 1 NC	EOT560N3PAP-PR1	1.42 / 0.64
				Selector	Black	–	EOT560N3PAP-SBA	1.35 / 0.61
					Red/yellow	–	EOT560N3PAP-SRA	1.35 / 0.61
					Black	1 NO + 1 NC	EOT560N3PAP-SB1	1.42 / 0.64
					Red/yellow	1 NO + 1 NC	EOT560N3PAP-SR1	1.42 / 0.64
80	20	40	40	Pistol	Black	–	EOT580N3PAP-PBA	1.79 / 0.81
					Red/yellow	–	EOT580N3PAP-PRA	1.79 / 0.81
					Black	1 NO + 1 NC	EOT580N3PAP-PB1	1.86 / 0.85
					Red/yellow	1 NO + 1 NC	EOT580N3PAP-PR1	1.86 / 0.85
				Selector	Black	–	EOT580N3PAP-SBA	1.79 / 0.81
					Red/yellow	–	EOT580N3PAP-SRA	1.79 / 0.81
					Black	1 NO + 1 NC	EOT580N3PAP-SB1	1.86 / 0.85
					Red/yellow	1 NO + 1 NC	EOT580N3PAP-SR1	1.86 / 0.85

## EOT520 ... EOT580 Enclosed Rotary Switches

6-pole UL 508, non-fused

NEMA 3R/12 metal enclosure



EOT560N6PA3-PRA

6-pole UL 508, non-fused — NEMA 3R/12 metal enclosure

Amp rating (A)	Horsepower rating 3-phase			Handle type	Handle color	Auxiliary contacts	Catalog number	Weight / unit (lb / kg)	
	240 V AC	480 V AC	600 V AC						
	HP	HP	HP						
20	5	10	10	Pistol	Black	–	EOT520N6PA3-PBA	3.70 / 1.68	
					Red/yellow	–	EOT520N6PA3-PRA	3.70 / 1.68	
					Black	1 NO + 1 NC	EOT520N6PA3-PB1	3.77 / 1.71	
				Red/yellow	1 NO + 1 NC	EOT520N6PA3-PR1	3.77 / 1.71		
				Selector	Black	–	EOT520N6PA3-SBA	3.70 / 1.68	
					Red/yellow	–	EOT520N6PA3-SRA	3.70 / 1.68	
	Black	1 NO + 1 NC	EOT520N6PA3-SB1		3.77 / 1.71				
	30	7	15	20	Pistol	Black	–	EOT530N6PA3-PBA	3.70 / 1.68
						Red/yellow	–	EOT530N6PA3-PRA	3.70 / 1.68
						Black	1 NO + 1 NC	EOT530N6PA3-PB1	3.77 / 1.71
					Red/yellow	1 NO + 1 NC	EOT530N6PA3-PR1	3.77 / 1.71	
					Selector	Black	–	EOT530N6PA3-SBA	3.70 / 1.68
Red/yellow						–	EOT530N6PA3-SRA	3.70 / 1.68	
Black	1 NO + 1 NC	EOT530N6PA3-SB1	3.77 / 1.71						
40	10	20	25	Pistol	Black	–	EOT540N6PA3-PBA	3.70 / 1.68	
					Red/yellow	–	EOT540N6PA3-PRA	3.70 / 1.68	
					Black	1 NO + 1 NC	EOT540N6PA3-PB1	3.77 / 1.71	
				Red/yellow	1 NO + 1 NC	EOT540N6PA3-PR1	3.77 / 1.71		
				Selector	Black	–	EOT540N6PA3-SBA	3.70 / 1.68	
					Red/yellow	–	EOT540N6PA3-SRA	3.70 / 1.68	
Black	1 NO + 1 NC	EOT540N6PA3-SB1	3.77 / 1.71						
60	15	30	30	Pistol	Black	–	EOT560N6PA3-PBA	4.70 / 2.13	
					Red/yellow	–	EOT560N6PA3-PRA	4.70 / 2.13	
					Black	1 NO + 1 NC	EOT560N6PA3-PB1	4.77 / 2.16	
				Red/yellow	1 NO + 1 NC	EOT560N6PA3-PR1	4.77 / 2.16		
				Selector	Black	–	EOT560N6PA3-SBA	4.70 / 2.13	
					Red/yellow	–	EOT560N6PA3-SRA	4.70 / 2.13	
Black	1 NO + 1 NC	EOT560N6PA3-SB1	4.77 / 2.16						
80	20	40	40	Pistol	Black	–	EOT580N6PA3-PBA	5.70 / 2.59	
					Red/yellow	–	EOT580N6PA3-PRA	5.70 / 2.59	
					Black	1 NO + 1 NC	EOT580N6PA3-PB1	5.77 / 2.62	
				Red/yellow	1 NO + 1 NC	EOT580N6PA3-PR1	5.77 / 2.62		
				Selector	Black	–	EOT580N6PA3-SBA	5.70 / 2.59	
					Red/yellow	–	EOT580N6PA3-SRA	5.70 / 2.59	
Black	1 NO + 1 NC	EOT580N6PA3-SB1	5.77 / 2.62						
					Red/yellow	1 NO + 1 NC	EOT580N6PA3-SR1	5.77 / 2.62	

## EOT520 ... EOT580 Enclosed Rotary Switches

6-pole UL 508, non-fused

NEMA 4/4X stainless steel enclosure



EOT530N6PAX-PRA

6-pole UL 508, non-fused — NEMA 4/4X stainless steel enclosure

Amp rating (A)	Horsepower rating 3-phase			Handle type	Handle color	Auxiliary contacts	Catalog number	Weight / unit (lb / kg)
	240 V AC	480 V AC	600 V AC					
	HP	HP	HP					
20	5	10	10	Pistol	Black	–	EOT520N6PAX-PBA	3.70 / 1.68
					Red/yellow	–	EOT520N6PAX-PRA	3.70 / 1.68
	5	10	10		Black	1 NO + 1 NC	EOT520N6PAX-PB1	3.77 / 1.71
					Red/yellow	1 NO + 1 NC	EOT520N6PAX-PR1	3.77 / 1.71
30	7	15	20	Pistol	Black	–	EOT530N6PAX-PBA	3.70 / 1.68
					Red/yellow	–	EOT530N6PAX-PRA	3.70 / 1.68
	7	15	20		Black	1 NO + 1 NC	EOT530N6PAX-PB1	3.77 / 1.71
					Red/yellow	1 NO + 1 NC	EOT530N6PAX-PR1	3.77 / 1.71
40	10	20	25	Pistol	Black	–	EOT540N6PAX-PBA	3.70 / 1.68
					Red/yellow	–	EOT540N6PAX-PRA	3.70 / 1.68
	10	20	25		Black	1 NO + 1 NC	EOT540N6PAX-PB1	3.77 / 1.71
					Red/yellow	1 NO + 1 NC	EOT540N6PAX-PR1	3.77 / 1.71
60	15	30	30	Pistol	Black	–	EOT560N6PAX-PBA	4.70 / 2.13
					Red/yellow	–	EOT560N6PAX-PRA	4.70 / 2.13
	15	30	30		Black	1 NO + 1 NC	EOT560N6PAX-PB1	4.77 / 2.16
					Red/yellow	1 NO + 1 NC	EOT560N6PAX-PR1	4.77 / 2.16
80	20	40	40	Pistol	Black	–	EOT580N6PAX-PBA	5.70 / 2.59
					Red/yellow	–	EOT580N6PAX-PRA	5.70 / 2.59
	20	40	40		Black	1 NO + 1 NC	EOT580N6PAX-PB1	5.77 / 2.62
					Red/yellow	1 NO + 1 NC	EOT580N6PAX-PR1	5.77 / 2.62

## EOT520 ... EOT580 Enclosed Rotary Switches

6-pole UL 508, non-fused

NEMA 4/4X plastic enclosure



EOT520N6PAP-PBA

6-pole UL 508, non-fused — NEMA 4/4X plastic enclosure

Amp rating (A)	Horsepower rating 3-phase			Handle type	Handle color	Auxiliary contacts	Catalog number	Weight / unit (lb / kg)
	240 V AC	480 V AC	600 V AC					
	HP	HP	HP					
20	5	10	10	Pistol	Black	–	EOT520N6PAP-PBA	1.70 / 0.77
					Red/yellow	–	EOT520N6PAP-PRA	1.70 / 0.77
					Black	1 NO + 1 NC	EOT520N6PAP-PB1	1.77 / 0.80
					Red/yellow	1 NO + 1 NC	EOT520N6PAP-PR1	1.77 / 0.80
				Selector	Black	–	EOT520N6PAP-SBA	1.70 / 0.77
					Red/yellow	–	EOT520N6PAP-SRA	1.70 / 0.77
					Black	–	EOT520N6PAP-SB1	1.77 / 0.80
					Red/yellow	–	EOT520N6PAP-SR1	1.77 / 0.80
30	7	15	20	Pistol	Black	–	EOT530N6PAP-PBA	1.70 / 0.77
					Red/yellow	–	EOT530N6PAP-PRA	1.70 / 0.77
					Black	1 NO + 1 NC	EOT530N6PAP-PB1	1.77 / 0.80
					Red/yellow	1 NO + 1 NC	EOT530N6PAP-PR1	1.77 / 0.80
				Selector	Black	–	EOT530N6PAP-SBA	1.70 / 0.77
					Red/yellow	–	EOT530N6PAP-SRA	1.70 / 0.77
					Black	–	EOT530N6PAP-SB1	1.77 / 0.80
					Red/yellow	–	EOT530N6PAP-SR1	1.77 / 0.80
40	10	20	25	Pistol	Black	–	EOT540N6PAP-PBA	1.70 / 0.77
					Red/yellow	–	EOT540N6PAP-PRA	1.70 / 0.77
					Black	1 NO + 1 NC	EOT540N6PAP-PB1	1.77 / 0.80
					Red/yellow	1 NO + 1 NC	EOT540N6PAP-PR1	1.77 / 0.80
				Selector	Black	–	EOT540N6PAP-SBA	1.70 / 0.77
					Red/yellow	–	EOT540N6PAP-SRA	1.70 / 0.77
					Black	–	EOT540N6PAP-SB1	1.77 / 0.80
					Red/yellow	–	EOT540N6PAP-SR1	1.77 / 0.80
60	15	30	30	Pistol	Black	–	EOT560N6PAP-PBA	2.70 / 1.22
					Red/yellow	–	EOT560N6PAP-PRA	2.70 / 1.22
					Black	1 NO + 1 NC	EOT560N6PAP-PB1	2.77 / 1.25
					Red/yellow	1 NO + 1 NC	EOT560N6PAP-PR1	2.77 / 1.25
				Selector	Black	–	EOT560N6PAP-SBA	2.70 / 1.22
					Red/yellow	–	EOT560N6PAP-SRA	2.70 / 1.22
					Black	–	EOT560N6PAP-SB1	2.77 / 1.25
					Red/yellow	–	EOT560N6PAP-SR1	2.77 / 1.25
80	20	40	40	Pistol	Black	–	EOT580N6PAP-PBA	3.70 / 1.68
					Red/yellow	–	EOT580N6PAP-PRA	3.70 / 1.68
					Black	1 NO + 1 NC	EOT580N6PAP-PB1	3.77 / 1.71
					Red/yellow	1 NO + 1 NC	EOT580N6PAP-PR1	3.77 / 1.71
				Selector	Black	–	EOT580N6PAP-SBA	3.70 / 1.68
					Red/yellow	–	EOT580N6PAP-SRA	3.70 / 1.68
					Black	1 NO + 1 NC	EOT580N6PAP-SB1	3.77 / 1.71
					Red/yellow	1 NO + 1 NC	EOT580N6PAP-SR1	3.77 / 1.71

## EOT520 ... EOT580 Enclosed Rotary Switches

3-pole UL 508, changeover non-fused

NEMA 3R/12 metal enclosure



EOT560N3CA3-PRA

### 3-pole UL 508, changeover — NEMA 3R/12 metal enclosure

Amp rating (A)	Horsepower rating 3-phase			Handle type	Handle color	Auxiliary contacts	Catalog number	Weight / unit (lb / kg)		
	240 V AC	480 V AC	600 V AC							
	HP	HP	HP							
20	5	10	10	Pistol	Black	–	EOT520N3CA3-PBA	3.70 / 1.68		
					Red/yellow	–	EOT520N3CA3-PRA	3.70 / 1.68		
					Black	1 NO + 1 NC	EOT520N3CA3-PB1	3.77 / 1.71		
				Red/yellow	1 NO + 1 NC	EOT520N3CA3-PR1	3.77 / 1.71			
				Selector	Black	–	EOT520N3CA3-SBA	3.70 / 1.68		
					Red/yellow	–	EOT520N3CA3-SRA	3.70 / 1.68		
	Black	1 NO + 1 NC	EOT520N3CA3-SB1		3.77 / 1.71					
	30	7	15	20	Pistol	Black	–	EOT530N3CA3-PBA	3.70 / 1.68	
						Red/yellow	–	EOT530N3CA3-PRA	3.70 / 1.68	
						Black	1 NO + 1 NC	EOT530N3CA3-PB1	3.77 / 1.71	
					Red/yellow	1 NO + 1 NC	EOT530N3CA3-PR1	3.77 / 1.71		
					Selector	Black	–	EOT530N3CA3-SBA	3.70 / 1.68	
Red/yellow						–	EOT530N3CA3-SRA	3.70 / 1.68		
Black		1 NO + 1 NC	EOT530N3CA3-SB1	3.77 / 1.71						
40		10	20	25	Pistol	Black	–	EOT540N3CA3-PBA	3.70 / 1.68	
						Red/yellow	–	EOT540N3CA3-PRA	3.70 / 1.68	
						Black	1 NO + 1 NC	EOT540N3CA3-PB1	3.77 / 1.71	
					Red/yellow	1 NO + 1 NC	EOT540N3CA3-PR1	3.77 / 1.71		
					Selector	Black	–	EOT540N3CA3-SBA	3.70 / 1.68	
	Red/yellow					–	EOT540N3CA3-SRA	3.70 / 1.68		
	Black	1 NO + 1 NC	EOT540N3CA3-SB1	3.77 / 1.71						
	60	15	30	30	Pistol	Black	–	EOT560N3CA3-PBA	4.70 / 2.13	
						Red/yellow	–	EOT560N3CA3-PRA	4.70 / 2.13	
						Black	1 NO + 1 NC	EOT560N3CA3-PB1	4.77 / 2.16	
					Red/yellow	1 NO + 1 NC	EOT560N3CA3-PR1	4.77 / 2.16		
					Selector	Black	–	EOT560N3CA3-SBA	4.70 / 2.13	
Red/yellow						–	EOT560N3CA3-SRA	4.70 / 2.13		
Black		1 NO + 1 NC	EOT560N3CA3-SB1	4.77 / 2.16						
80		20	40	40	Pistol	Black	–	EOT580N3CA3-PBA	5.70 / 2.59	
						Red/yellow	–	EOT580N3CA3-PRA	5.70 / 2.59	
						Black	1 NO + 1 NC	EOT580N3CA3-PB1	5.77 / 2.62	
					Red/yellow	1 NO + 1 NC	EOT580N3CA3-PR1	5.77 / 2.62		
					Selector	Black	–	EOT580N3CA3-SBA	5.70 / 2.59	
	Red/yellow					–	EOT580N3CA3-SRA	5.70 / 2.59		
	Black	1 NO + 1 NC	EOT580N3CA3-SB1	5.77 / 2.62						
							Red/yellow	1 NO + 1 NC	EOT580N3CA3-SR1	5.77 / 2.62

## EOT520 ... EOT580 Enclosed Rotary Switches

3-pole UL 508, changeover non-fused

NEMA 4/4X stainless steel and NEMA 4/4X plastic enclosures



EOT540N3CAX-PBA

### 3-pole UL 508, changeover — NEMA 4/4X stainless steel enclosure

Amp rating (A)	Horsepower rating 3-phase			Handle type	Handle color	Auxiliary contacts	Catalog number	Weight / unit (lb / kg)
	240 V AC	480 V AC	600 V AC					
	HP	HP	HP					
20	5	10	10	Pistol	Black	–	EOT520N3CAX-PBA	3.70 / 1.68
					Black	1 NO + 1 NC	EOT520N3CAX-PB1	3.77 / 1.71
30	7	15	20	Pistol	Black	–	EOT530N3CAX-PBA	3.70 / 1.68
					Black	1 NO + 1 NC	EOT530N3CAX-PB1	3.77 / 1.71
40	10	20	25	Pistol	Black	–	EOT540N3CAX-PBA	3.70 / 1.68
					Black	1 NO + 1 NC	EOT540N3CAX-PB1	3.77 / 1.71
60	15	30	30	Pistol	Black	–	EOT560N3CAX-PBA	4.70 / 2.13
					Black	1 NO + 1 NC	EOT560N3CAX-PB1	4.77 / 2.16
80	20	40	40	Pistol	Black	–	EOT580N3CAX-PBA	5.70 / 2.59
					Black	1 NO + 1 NC	EOT580N3CAX-PB1	5.77 / 2.62



EOT540N3CAP-PBA

### 3-pole UL 508, changeover — NEMA 4/4X plastic enclosure

Amp rating (A)	Horsepower rating 3-phase			Handle type	Handle color	Auxiliary contacts	Catalog number	Weight / unit (lb / kg)
	240 V AC	480 V AC	600 V AC					
	HP	HP	HP					
20	5	10	10	Pistol	Black	–	EOT520N3CAP-PBA	1.70 / 0.77
					Black	1 NO + 1 NC	EOT520N3CAP-PB1	1.77 / 0.80
				Selector	Black	–	EOT520N3CAP-SBA	1.70 / 0.77
					Black	1 NO + 1 NC	EOT520N3CAP-SB1	1.77 / 0.80
30	7	15	20	Pistol	Black	–	EOT530N3CAP-PBA	1.70 / 0.77
					Black	1 NO + 1 NC	EOT530N3CAP-PB1	1.77 / 0.80
				Selector	Black	–	EOT530N3CAP-SBA	1.70 / 0.77
					Black	1 NO + 1 NC	EOT530N3CAP-SB1	1.77 / 0.80
40	10	20	25	Pistol	Black	–	EOT540N3CAP-PBA	1.70 / 0.77
					Black	1 NO + 1 NC	EOT540N3CAP-PB1	1.77 / 0.80
				Selector	Black	–	EOT540N3CAP-SBA	1.70 / 0.77
					Black	1 NO + 1 NC	EOT540N3CAP-SB1	1.77 / 0.80
60	15	30	30	Pistol	Black	–	EOT560N3CAP-PBA	2.70 / 1.22
					Black	1 NO + 1 NC	EOT560N3CAP-PB1	2.77 / 1.25
				Selector	Black	–	EOT560N3CAP-SBA	2.70 / 1.22
					Black	1 NO + 1 NC	EOT560N3CAP-SB1	2.77 / 1.25
80	20	40	40	Pistol	Black	–	EOT580N3CAP-PBA	3.70 / 1.68
					Black	1 NO + 1 NC	EOT580N3CAP-PB1	3.77 / 1.71
				Selector	Black	–	EOT580N3CAP-SBA	3.70 / 1.68
					Black	1 NO + 1 NC	EOT580N3CAP-SB1	3.77 / 1.71

## EOT930 ... EOT9600 Enclosed Rotary Switches

3-pole UL 98, non-fused

NEMA 1 metal enclosure



EOT930N3PA1-PBA

### 3-pole UL 98, non-fused — NEMA 1 metal enclosure

Amp rating (A)	Horsepower rating 3-phase			Handle type	Handle color	Auxiliary contacts	Catalog number	Weight / unit (lb / kg)
	HP	HP	HP					
30	10	20	30	Pistol	Black	–	EOT930N3PA1-PBA	2.80 / 1.27
					Red/yellow	–	EOT930N3PA1-PRA	2.80 / 1.27
					Black	1 NO + 1 NC	EOT930N3PA1-PB1	2.87 / 1.30
					Red/yellow	1 NO + 1 NC	EOT930N3PA1-PR1	2.87 / 1.30
				Selector	Black	–	EOT930N3PA1-SBA	2.80 / 1.27
					Red/yellow	–	EOT930N3PA1-SRA	2.80 / 1.27
					Black	1 NO + 1 NC	EOT930N3PA1-SB1	2.87 / 1.30
					Red/yellow	1 NO + 1 NC	EOT930N3PA1-SR1	2.87 / 1.30
60	20	40	40	Pistol	Black	–	EOT960N3PA1-PBA	2.80 / 1.27
					Red/yellow	–	EOT960N3PA1-PRA	2.80 / 1.27
					Black	1 NO + 1 NC	EOT960N3PA1-PB1	2.87 / 1.30
					Red/yellow	1 NO + 1 NC	EOT960N3PA1-PR1	2.87 / 1.30
				Selector	Black	–	EOT960N3PA1-SBA	2.80 / 1.27
					Red/yellow	–	EOT960N3PA1-SRA	2.80 / 1.27
					Black	1 NO + 1 NC	EOT960N3PA1-SB1	2.87 / 1.30
					Red/yellow	1 NO + 1 NC	EOT960N3PA1-SR1	2.87 / 1.30
100	30	50	50	Pistol	Black	–	EOT9100N3PA1-PBA	2.80 / 1.27
					Red/yellow	–	EOT9100N3PA1-PRA	2.80 / 1.27
					Black	1 NO + 1 NC	EOT9100N3PA1-PB1	2.87 / 1.30
					Red/yellow	1 NO + 1 NC	EOT9100N3PA1-PR1	2.87 / 1.30
				Selector	Black	–	EOT9100N3PA1-SBA	2.80 / 1.27
					Red/yellow	–	EOT9100N3PA1-SRA	2.80 / 1.27
					Black	1 NO + 1 NC	EOT9100N3PA1-SB1	2.87 / 1.30
					Red/yellow	1 NO + 1 NC	EOT9100N3PA1-SR1	2.87 / 1.30
200	75	150	200	Pistol	Black	–	EOT9200N3PA1-PBA	30.30 / 13.74
					Red/yellow	–	EOT9200N3PA1-PRA	30.30 / 13.74
					Black	1 NO + 1 NC	EOT9200N3PA1-PB1	30.37 / 13.77
					Red/yellow	1 NO + 1 NC	EOT9200N3PA1-PR1	30.37 / 13.77
400	125	250	350	Pistol	Black	–	EOT9400N3PA1-PBA	93.70 / 42.50
					Red/yellow	–	EOT9400N3PA1-PRA	93.70 / 42.50
					Black	1 NO + 1 NC	EOT9400N3PA1-PB1	93.77 / 42.53
					Red/yellow	1 NO + 1 NC	EOT9400N3PA1-PR1	93.77 / 42.53
600	200	450	500	Pistol	Black	–	EOT9600N3PA1-PBA	128.50 / 58.29
					Red/yellow	–	EOT9600N3PA1-PRA	128.50 / 58.29
					Black	1 NO + 1 NC	EOT9600N3PA1-PB1	128.57 / 58.32
					Red/yellow	1 NO + 1 NC	EOT9600N3PA1-PR1	93.77 / 42.53

## EOT930 ... EOT9600 Enclosed Rotary Switches

3-pole UL 98, non-fused

NEMA 3R/12 metal enclosure



EOT930N3PA1-PRA

3-pole UL 98, non-fused — NEMA 3R/12 metal enclosure

Amp rating (A)	Horsepower rating 3-phase			Handle type	Handle color	Auxiliary contacts	Catalog number	Weight / unit (lb / kg)
	HP	HP	HP					
30	10	20	30	Pistol	Black	–	EOT930N3PA3-PBA	2.80 / 1.27
					Red/yellow	–	EOT930N3PA3-PRA	2.80 / 1.27
					Black	1 NO + 1 NC	EOT930N3PA3-PB1	2.87 / 1.30
					Red/yellow	1 NO + 1 NC	EOT930N3PA3-PR1	2.87 / 1.30
				Selector	Black	–	EOT930N3PA3-SBA	2.80 / 1.27
					Red/yellow	–	EOT930N3PA3-SRA	2.80 / 1.27
					Black	1 NO + 1 NC	EOT930N3PA3-SB1	2.87 / 1.30
					Red/yellow	1 NO + 1 NC	EOT930N3PA3-SR1	2.87 / 1.30
60	20	40	40	Pistol	Black	–	EOT960N3PA3-PBA	2.80 / 1.27
					Red/yellow	–	EOT960N3PA3-PRA	2.80 / 1.27
					Black	1 NO + 1 NC	EOT960N3PA3-PB1	2.87 / 1.30
					Red/yellow	1 NO + 1 NC	EOT960N3PA3-PR1	2.87 / 1.30
				Selector	Black	–	EOT960N3PA3-SBA	2.80 / 1.27
					Red/yellow	–	EOT960N3PA3-SRA	2.80 / 1.27
					Black	1 NO + 1 NC	EOT960N3PA3-SB1	2.87 / 1.30
					Red/yellow	1 NO + 1 NC	EOT960N3PA3-SR1	2.87 / 1.30
100	30	50	50	Pistol	Black	–	EOT9100N3PA3-PBA	2.80 / 1.27
					Red/yellow	–	EOT9100N3PA3-PRA	2.80 / 1.27
					Black	1 NO + 1 NC	EOT9100N3PA3-PB1	2.87 / 1.30
					Red/yellow	1 NO + 1 NC	EOT9100N3PA3-PR1	2.87 / 1.30
				Selector	Black	–	EOT9100N3PA3-SBA	2.80 / 1.27
					Red/yellow	–	EOT9100N3PA3-SRA	2.80 / 1.27
					Black	1 NO + 1 NC	EOT9100N3PA3-SB1	2.87 / 1.30
					Red/yellow	1 NO + 1 NC	EOT9100N3PA3-SR1	2.87 / 1.30
200	75	150	200	Pistol	Black	–	EOT9200N3PA3-PBA	30.30 / 13.74
					Red/yellow	–	EOT9200N3PA3-PRA	30.30 / 13.74
					Black	1 NO + 1 NC	EOT9200N3PA3-PB1	30.37 / 13.77
					Red/yellow	1 NO + 1 NC	EOT9200N3PA3-PR1	30.37 / 13.77
400	125	250	350	Pistol	Black	–	EOT9400N3PA3-PBA	93.70 / 42.50
					Red/yellow	–	EOT9400N3PA3-PRA	93.70 / 42.50
					Black	1 NO + 1 NC	EOT9400N3PA3-PB1	93.77 / 42.53
					Red/yellow	1 NO + 1 NC	EOT9400N3PA3-PR1	93.77 / 42.53
600	200	450	500	Pistol	Black	–	EOT9600N3PA3-PBA	128.50 / 58.29
					Red/yellow	–	EOT9600N3PA3-PRA	128.50 / 58.29
					Black	1 NO + 1 NC	EOT9600N3PA3-PB1	93.77 / 42.53
					Red/yellow	1 NO + 1 NC	EOT9600N3PA3-PR1	93.77 / 42.53

## EOT930 ... EOT9600 Enclosed Rotary Switches

3-pole UL 98, non-fused

NEMA 4/4X stainless steel enclosure



EOT930N3PAX-PXA

### 3-pole UL 98, non-fused — NEMA 4/4X stainless steel enclosure

Amp rating (A)	Horsepower rating 3-phase			Handle type	Handle color	Auxiliary contacts	Catalog number	Weight / unit (lb / kg)
	HP	HP	HP					
30	10	20	30	Pistol	Black	–	EOT930N3PAX-PBA	2.80 / 1.27
					Red/yellow	–	EOT930N3PAX-PRA	2.80 / 1.27
					Stainless steel	–	EOT930N3PAX-PXA	2.80 / 1.27
					Black	1 NO + 1 NC	EOT930N3PAX-PB1	2.87 / 1.30
					Red/yellow	1 NO + 1 NC	EOT930N3PAX-PR1	2.87 / 1.30
					Stainless steel	1 NO + 1 NC	EOT930N3PAX-PX1	2.87 / 1.30
60	20	40	40	Pistol	Black	–	EOT960N3PAX-PBA	2.80 / 1.27
					Red/yellow	–	EOT960N3PAX-PRA	2.80 / 1.27
					Stainless steel	–	EOT960N3PAX-PXA	2.80 / 1.27
					Black	1 NO + 1 NC	EOT960N3PAX-PB1	2.87 / 1.30
					Red/yellow	1 NO + 1 NC	EOT960N3PAX-PR1	2.87 / 1.30
					Stainless steel	1 NO + 1 NC	EOT960N3PAX-PX1	2.87 / 1.30
100	30	50	50	Pistol	Black	–	EOT9100N3PAX-PBA	2.80 / 1.27
					Red/yellow	–	EOT9100N3PAX-PRA	2.80 / 1.27
					Stainless steel	–	EOT9100N3PAX-PXA	2.80 / 1.27
					Black	1 NO + 1 NC	EOT9100N3PAX-PB1	2.87 / 1.30
					Red/yellow	1 NO + 1 NC	EOT9100N3PAX-PR1	2.87 / 1.30
					Stainless steel	1 NO + 1 NC	EOT9100N3PAX-PX1	2.87 / 1.30
200	75	150	200	Pistol	Black	–	EOT9200N3PAX-PBA	31.70 / 14.38
					Red/yellow	–	EOT9200N3PAX-PRA	31.70 / 14.38
					Stainless steel	–	EOT9200N3PAX-PXA	31.70 / 14.38
					Black	1 NO + 1 NC	EOT9200N3PAX-PB1	31.77 / 14.41
					Red/yellow	1 NO + 1 NC	EOT9200N3PAX-PR1	31.77 / 14.41
					Stainless steel	1 NO + 1 NC	EOT9200N3PAX-PX1	31.77 / 14.41
400	125	250	350	Pistol	Black	–	EOT9400N3PAX-PBA	123.30 / 55.93
					Red/yellow	–	EOT9400N3PAX-PRA	123.30 / 55.93
					Stainless steel	–	EOT9400N3PAX-PXA	123.30 / 55.93
					Black	1 NO + 1 NC	EOT9400N3PAX-PB1	123.37 / 55.96
					Red/yellow	1 NO + 1 NC	EOT9400N3PAX-PR1	123.37 / 55.96
					Stainless steel	1 NO + 1 NC	EOT9400N3PAX-PX1	123.37 / 55.96
600	200	450	500	Pistol	Black	–	EOT9600N3PAX-PBA	130.50 / 59.19
					Red/yellow	–	EOT9600N3PAX-PRA	130.50 / 59.19
					Stainless steel	–	EOT9600N3PAX-PXA	130.50 / 59.19
					Black	1 NO + 1 NC	EOT9600N3PAX-PB1	130.57 / 59.22
					Red/yellow	1 NO + 1 NC	EOT9600N3PAX-PR1	130.57 / 59.22
					Stainless steel	1 NO + 1 NC	EOT9600N3PAX-PX1	130.57 / 59.22

## EOT930 ... EOT9600 Enclosed Rotary Switches

3-pole UL 98, non-fused

NEMA 4/4X plastic enclosure



EOT930N3PAP-SBA

3-pole UL 98, non-fused — NEMA 4/4X plastic enclosure

Amp rating (A)	Horsepower rating 3-phase			Handle type	Handle color	Auxiliary contacts	Catalog number	Weight / unit (lb / kg)
	HP	HP	HP					
30	10	20	30	Pistol	Black	–	EOT930N3PAP-PBA	2.01 / 0.91
					Red/yellow	–	EOT930N3PAP-PRA	2.01 / 0.91
					Black	1 NO + 1 NC	EOT930N3PAP-PB1	2.08 / 0.94
					Red/yellow	1 NO + 1 NC	EOT930N3PAP-PR1	2.08 / 0.94
60	20	40	40	Pistol	Black	–	EOT960N3PAP-PBA	2.01 / 0.91
					Red/yellow	–	EOT960N3PAP-PRA	2.01 / 0.91
					Black	1 NO + 1 NC	EOT960N3PAP-PB1	2.08 / 0.94
					Red/yellow	1 NO + 1 NC	EOT960N3PAP-PR1	2.08 / 0.94
100	30	50	50	Pistol	Black	–	EOT9100N3PAP-PBA	2.70 / 1.22
					Red/yellow	–	EOT9100N3PAP-PRA	2.70 / 1.22
					Black	1 NO + 1 NC	EOT9100N3PAP-PB1	2.77 / 1.25
					Red/yellow	1 NO + 1 NC	EOT9100N3PAP-PR1	2.77 / 1.25
200	75	150	200	Pistol	Black	–	EOT9200N3PAP-PBA	20.00 / 9.07
					Red/yellow	–	EOT9200N3PAP-PRA	20.00 / 9.07
					Black	1 NO + 1 NC	EOT9200N3PAP-PB1	20.07 / 9.10
					Red/yellow	1 NO + 1 NC	EOT9200N3PAP-PR1	20.07 / 9.10
400	125	250	350	Pistol	Black	–	EOT9400N3PAP-PBA	92.00 / 41.73
					Red/yellow	–	EOT9400N3PAP-PRA	92.00 / 41.73
					Black	1 NO + 1 NC	EOT9400N3PAP-PB1	92.07 / 41.76
					Red/yellow	1 NO + 1 NC	EOT9400N3PAP-PR1	92.07 / 41.76
600	200	450	500	Pistol	Black	–	EOT9600N3PAP-PBA	99.20 / 45.00
					Red/yellow	–	EOT9600N3PAP-PRA	99.20 / 45.00
					Black	1 NO + 1 NC	EOT9600N3PAP-PB1	99.27 / 45.03
					Red/yellow	1 NO + 1 NC	EOT9600N3PAP-PR1	99.27 / 45.03

## EOT930 ... EOT9600 Enclosed Rotary Switches

4-pole UL 98, non-fused

NEMA 1 metal enclosure



EOT930N4PA1-SRA

### 4-pole UL 98, non-fused — NEMA 1 metal enclosure

Amp rating (A)	Horsepower rating 3-phase			Handle type	Handle color	Auxiliary contacts	Catalog number	Weight / unit (lb / kg)
	240 V AC	480 V AC	600 V AC					
	HP	HP	HP					
30	10	20	30	Pistol	Black	–	EOT930N4PA1-PBA	2.80 / 1.27
					Red/yellow	–	EOT930N4PA1-PRA	2.80 / 1.27
					Black	1 NO + 1 NC	EOT930N4PA1-PB1	2.87 / 1.30
					Red/yellow	1 NO + 1 NC	EOT930N4PA1-PR1	2.87 / 1.30
				Selector	Black	–	EOT930N4PA1-SBA	2.80 / 1.27
					Red/yellow	–	EOT930N4PA1-SRA	2.80 / 1.27
					Black	1 NO + 1 NC	EOT930N4PA1-SB1	2.87 / 1.30
					Red/yellow	1 NO + 1 NC	EOT930N4PA1-SR1	2.87 / 1.30
60	20	40	40	Pistol	Black	–	EOT960N4PA1-PBA	2.80 / 1.27
					Red/yellow	–	EOT960N4PA1-PRA	2.80 / 1.27
					Black	1 NO + 1 NC	EOT960N4PA1-PB1	2.87 / 1.30
					Red/yellow	1 NO + 1 NC	EOT960N4PA1-PR1	2.87 / 1.30
				Selector	Black	–	EOT960N4PA1-SBA	2.80 / 1.27
					Red/yellow	–	EOT960N4PA1-SRA	2.80 / 1.27
					Black	1 NO + 1 NC	EOT960N4PA1-SB1	2.87 / 1.30
					Red/yellow	1 NO + 1 NC	EOT960N4PA1-SR1	2.87 / 1.30
100	30	50	50	Pistol	Black	–	EOT9100N4PA1-PBA	2.80 / 1.27
					Red/yellow	–	EOT9100N4PA1-PRA	2.80 / 1.27
					Black	1 NO + 1 NC	EOT9100N4PA1-PB1	2.87 / 1.30
					Red/yellow	1 NO + 1 NC	EOT9100N4PA1-PR1	2.87 / 1.30
				Selector	Black	–	EOT9100N4PA1-SBA	2.80 / 1.27
					Red/yellow	–	EOT9100N4PA1-SRA	2.80 / 1.27
					Black	1 NO + 1 NC	EOT9100N4PA1-SB1	2.87 / 1.30
					Red/yellow	1 NO + 1 NC	EOT9100N4PA1-SR1	2.87 / 1.30
200	75	150	200	Pistol	Black	–	EOT9200N4PA1-PBA	30.30 / 13.74
					Red/yellow	–	EOT9200N4PA1-PRA	30.30 / 13.74
					Black	1 NO + 1 NC	EOT9200N4PA1-PB1	30.37 / 13.77
					Red/yellow	1 NO + 1 NC	EOT9200N4PA1-PR1	30.37 / 13.77
400	125	250	350	Pistol	Black	–	EOT9400N4PA1-PBA	93.70 / 42.50
					Red/yellow	–	EOT9400N4PA1-PRA	93.70 / 42.50
					Black	1 NO + 1 NC	EOT9400N4PA1-PB1	93.77 / 42.53
					Red/yellow	1 NO + 1 NC	EOT9400N4PA1-PR1	93.77 / 42.53
600	200	450	500	Pistol	Black	–	EOT9600N4PA1-PBA	128.50 / 58.29
					Red/yellow	–	EOT9600N4PA1-PRA	128.50 / 58.29
					Black	1 NO + 1 NC	EOT9600N4PA1-PB1	128.57 / 58.32
					Red/yellow	1 NO + 1 NC	EOT9600N4PA1-PR1	128.57 / 58.32

## EOT930 ... EOT9600 Enclosed Rotary Switches

4-pole UL 98, non-fused

NEMA 3R/12 metal enclosure



EOT9100N4PA3-PRA

4-pole UL 98, non-fused — NEMA 3R/12 metal enclosure

Amp rating (A)	Horsepower rating 3-phase			Handle type	Handle color	Auxiliary contacts	Catalog number	Weight / unit (lb / kg)
	240 V AC	480 V AC	600 V AC					
	HP	HP	HP					
30	10	20	30	Pistol	Black	–	EOT930N4PA3-PBA	2.80 / 1.27
					Red/yellow	–	EOT930N4PA3-PRA	2.80 / 1.27
					Black	1 NO + 1 NC	EOT930N4PA3-PB1	2.87 / 1.30
					Red/yellow	1 NO + 1 NC	EOT930N4PA3-PR1	2.87 / 1.30
				Selector	Black	–	EOT930N4PA3-SBA	2.80 / 1.27
					Red/yellow	–	EOT930N4PA3-SRA	2.80 / 1.27
					Black	1 NO + 1 NC	EOT930N4PA3-SB1	2.87 / 1.30
					Red/yellow	1 NO + 1 NC	EOT930N4PA3-SR1	2.87 / 1.30
60	20	40	40	Pistol	Black	–	EOT960N4PA3-PBA	2.80 / 1.27
					Red/yellow	–	EOT960N4PA3-PRA	2.80 / 1.27
					Black	1 NO + 1 NC	EOT960N4PA3-PB1	2.87 / 1.30
					Red/yellow	1 NO + 1 NC	EOT960N4PA3-PR1	2.87 / 1.30
				Selector	Black	–	EOT960N4PA3-SBA	2.80 / 1.27
					Red/yellow	–	EOT960N4PA3-SRA	2.80 / 1.27
					Black	1 NO + 1 NC	EOT960N4PA3-SB1	2.87 / 1.30
					Red/yellow	1 NO + 1 NC	EOT960N4PA3-SR1	2.87 / 1.30
100	30	50	50	Pistol	Black	–	EOT9100N4PA3-PBA	2.80 / 1.27
					Red/yellow	–	EOT9100N4PA3-PRA	2.80 / 1.27
					Black	1 NO + 1 NC	EOT9100N4PA3-PB1	2.87 / 1.30
					Red/yellow	1 NO + 1 NC	EOT9100N4PA3-PR1	2.87 / 1.30
				Selector	Black	–	EOT9100N4PA3-SBA	2.80 / 1.27
					Red/yellow	–	EOT9100N4PA3-SRA	2.80 / 1.27
					Black	1 NO + 1 NC	EOT9100N4PA3-SB1	2.87 / 1.30
					Red/yellow	1 NO + 1 NC	EOT9100N4PA3-SR1	2.87 / 1.30
200	75	150	200	Pistol	Black	–	EOT9200N4PA3-PBA	30.30 / 13.74
					Red/yellow	–	EOT9200N4PA3-PRA	30.30 / 13.74
					Black	1 NO + 1 NC	EOT9200N4PA3-PB1	30.37 / 13.77
					Red/yellow	1 NO + 1 NC	EOT9200N4PA3-PR1	30.37 / 13.77
400	125	250	350	Pistol	Black	–	EOT9400N4PA3-PBA	93.70 / 42.50
					Red/yellow	–	EOT9400N4PA3-PRA	93.70 / 42.50
					Black	1 NO + 1 NC	EOT9400N4PA3-PB1	93.77 / 42.54
					Red/yellow	1 NO + 1 NC	EOT9400N4PA3-PR1	93.77 / 42.54
600	200	450	500	Pistol	Black	–	EOT9600N4PA3-PBA	128.50 / 58.29
					Red/yellow	–	EOT9600N4PA3-PRA	128.50 / 58.29
					Black	1 NO + 1 NC	EOT9600N4PA3-PB1	128.57 / 58.32
					Red/yellow	1 NO + 1 NC	EOT9600N4PA3-PR1	128.57 / 58.32

## EOT930 ... EOT9600 Enclosed Rotary Switches

4-pole UL 98, non-fused

NEMA 4/4X stainless steel enclosure



EOT960N4PAX-PR

### 4-pole UL 98, non-fused — NEMA 4/4X stainless steel enclosure

Amp rating (A)	Horsepower rating 3-phase			Handle type	Handle color	Auxiliary contacts	Catalog number	Weight / unit (lb / kg)
	240 V AC HP	480 V AC HP	600 V AC HP					
30	10	20	30	Pistol	Black	–	EOT930N4PAX-PBA	2.80 / 1.27
					Red/yellow	–	EOT930N4PAX-PRA	2.80 / 1.27
					Stainless steel	–	EOT930N4PAX-PXA	2.80 / 1.27
					Black	1 NO + 1 NC	EOT930N4PAX-PB1	2.87 / 1.30
					Red/yellow	1 NO + 1 NC	EOT930N4PAX-PR1	2.87 / 1.30
					Stainless steel	1 NO + 1 NC	EOT930N4PAX-PX1	2.87 / 1.30
60	20	40	40	Pistol	Black	–	EOT960N4PAX-PBA	2.80 / 1.27
					Red/yellow	–	EOT960N4PAX-PRA	2.80 / 1.27
					Stainless steel	–	EOT960N4PAX-PXA	2.80 / 1.27
					Black	1 NO + 1 NC	EOT960N4PAX-PB1	2.87 / 1.30
					Red/yellow	1 NO + 1 NC	EOT960N4PAX-PR1	2.87 / 1.30
					Stainless steel	1 NO + 1 NC	EOT960N4PAX-PX1	2.87 / 1.30
100	30	50	50	Pistol	Black	–	EOT9100N4PAX-PBA	2.80 / 1.27
					Red/yellow	–	EOT9100N4PAX-PRA	2.80 / 1.27
					Stainless steel	–	EOT9100N4PAX-PXA	2.80 / 1.27
					Black	1 NO + 1 NC	EOT9100N4PAX-PB1	2.87 / 1.30
					Red/yellow	1 NO + 1 NC	EOT9100N4PAX-PR1	2.87 / 1.30
					Stainless steel	1 NO + 1 NC	EOT9100N4PAX-PX1	2.87 / 1.30
200	75	150	200	Pistol	Black	–	EOT9200N4PAX-PBA	31.70 / 14.38
					Red/yellow	–	EOT9200N4PAX-PRA	31.70 / 14.38
					Stainless steel	–	EOT9200N4PAX-PXA	31.70 / 14.38
					Black	1 NO + 1 NC	EOT9200N4PAX-PB1	31.77 / 14.41
					Red/yellow	1 NO + 1 NC	EOT9200N4PAX-PR1	31.77 / 14.41
					Stainless steel	1 NO + 1 NC	EOT9200N4PAX-PX1	31.77 / 14.41
400	125	250	350	Pistol	Black	–	EOT9400N4PAX-PBA	123.30 / 55.93
					Red/yellow	–	EOT9400N4PAX-PRA	123.30 / 55.93
					Stainless steel	–	EOT9400N4PAX-PXA	123.30 / 55.93
					Black	1 NO + 1 NC	EOT9400N4PAX-PB1	123.37 / 55.96
					Red/yellow	1 NO + 1 NC	EOT9400N4PAX-PR1	123.37 / 55.96
					Stainless steel	1 NO + 1 NC	EOT9400N4PAX-PX1	123.30 / 55.93
600	200	450	500	Pistol	Black	–	EOT9600N4PAX-PBA	130.50 / 59.19
					Red/yellow	–	EOT9600N4PAX-PRA	130.50 / 59.19
					Stainless steel	–	EOT9600N4PAX-PXA	130.50 / 59.19
					Black	1 NO + 1 NC	EOT9600N4PAX-PB1	130.57 / 59.22
					Red/yellow	1 NO + 1 NC	EOT9600N4PAX-PR1	130.57 / 59.22
					Stainless steel	1 NO + 1 NC	EOT9600N4PAX-PX1	130.57 / 59.22

## EOT930 ... EOT9600 Enclosed Rotary Switches

4-pole UL 98, non-fused

NEMA 4/4X plastic enclosure



EOT9200N4PAP-PBA

4-pole UL 98, non-fused — NEMA 4/4X plastic enclosure

Amp rating (A)	Horsepower rating 3-phase			Handle type	Handle color	Auxiliary contacts	Catalog number	Weight / unit (lb / kg)
	240 V AC	480 V AC	600 V AC					
	HP	HP	HP					
30	10	20	30	Pistol	Black	–	EOT930N4PAP-PBA	2.01 / 0.91
					Red/yellow	–	EOT930N4PAP-PRA	2.01 / 0.91
	Black	1 NO + 1 NC	EOT930N4PAP-PB1		2.08 / 0.94			
	Red/yellow	1 NO + 1 NC	EOT930N4PAP-PR1		2.08 / 0.94			
60	20	40	40	Pistol	Black	–	EOT960N4PAP-PBA	2.01 / 0.91
					Red/yellow	–	EOT960N4PAP-PRA	2.01 / 0.91
	Black	1 NO + 1 NC	EOT960N4PAP-PB1		2.08 / 0.94			
	Red/yellow	1 NO + 1 NC	EOT960N4PAP-PR1		2.08 / 0.94			
100	30	50	50	Pistol	Black	–	EOT9100N4PAP-PBA	2.70 / 1.22
					Red/yellow	–	EOT9100N4PAP-PRA	2.70 / 1.22
	Black	1 NO + 1 NC	EOT9100N4PAP-PB1		2.77 / 1.25			
	Red/yellow	1 NO + 1 NC	EOT9100N4PAP-PR1		2.77 / 1.25			
200	75	150	200	Pistol	Black	–	EOT9200N4PAP-PBA	20.00 / 9.07
					Red/yellow	–	EOT9200N4PAP-PRA	20.00 / 9.07
	Black	1 NO + 1 NC	EOT9200N4PAP-PB1		20.07 / 9.10			
	Red/yellow	1 NO + 1 NC	EOT9200N4PAP-PR1		20.07 / 9.10			
400	125	250	350	Pistol	Black	–	EOT9400N4PAP-PBA	92.00 / 41.73
					Red/yellow	–	EOT9400N4PAP-PRA	92.00 / 41.73
	Black	1 NO + 1 NC	EOT9400N4PAP-PB1		92.07 / 41.76			
	Red/yellow	1 NO + 1 NC	EOT9400N4PAP-PR1		92.07 / 41.76			
600	200	450	500	Pistol	Black	–	EOT9600N4PAP-PBA	99.20 / 45.00
					Red/yellow	–	EOT9600N4PAP-PRA	99.20 / 45.00
	Black	1 NO + 1 NC	EOT9600N4PAP-PB1		99.27 / 45.03			
	Red/yellow	1 NO + 1 NC	EOT9600N4PAP-PR1		99.27 / 45.03			

## EOT930 ... EOT9600 Enclosed Rotary Switches

6-pole UL 98, non-fused

NEMA 1 metal enclosure



EOT930N6PA1-PBA

### 6-pole UL 98, non-fused — NEMA 1 metal enclosure

Amp rating (A)	Horsepower rating 3-phase			Handle type	Handle color	Auxiliary contacts	Catalog number	Weight / unit (lb / kg)
	240 V AC	480 V AC	600 V AC					
	HP	HP	HP					
30	10	20	30	Pistol	Black	–	EOT930N6PA1-PBA	4.40 / 2.00
					Red/yellow	–	EOT930N6PA1-PRA	4.40 / 2.00
					Black	1 NO + 1 NC	EOT930N6PA1-PB1	4.47 / 2.03
					Red/yellow	1 NO + 1 NC	EOT930N6PA1-PR1	4.47 / 2.03
				Selector	Black	–	EOT930N6PA1-SBA	4.40 / 2.00
					Red/yellow	–	EOT930N6PA1-SRA	4.40 / 2.00
					Black	1 NO + 1 NC	EOT930N6PA1-SB1	4.47 / 2.03
					Red/yellow	1 NO + 1 NC	EOT930N6PA1-SR1	4.47 / 2.03
60	20	40	40	Pistol	Black	–	EOT960N6PA1-PBA	4.40 / 2.00
					Red/yellow	–	EOT960N6PA1-PRA	4.40 / 2.00
					Black	1 NO + 1 NC	EOT960N6PA1-PB1	4.47 / 2.03
					Red/yellow	1 NO + 1 NC	EOT960N6PA1-PR1	4.47 / 2.03
				Selector	Black	–	EOT960N6PA1-SBA	4.40 / 2.00
					Red/yellow	–	EOT960N6PA1-SRA	4.40 / 2.00
					Black	1 NO + 1 NC	EOT960N6PA1-SB1	4.47 / 2.03
					Red/yellow	1 NO + 1 NC	EOT960N6PA1-SR1	4.47 / 2.03
100	30	50	50	Pistol	Black	–	EOT9100N6PA1-PBA	4.40 / 2.00
					Red/yellow	–	EOT9100N6PA1-PRA	4.40 / 2.00
					Black	1 NO + 1 NC	EOT9100N6PA1-PB1	4.47 / 2.03
					Red/yellow	1 NO + 1 NC	EOT9100N6PA1-PR1	4.47 / 2.03
				Selector	Black	–	EOT9100N6PA1-SBA	4.40 / 2.00
					Red/yellow	–	EOT9100N6PA1-SRA	4.40 / 2.00
					Black	1 NO + 1 NC	EOT9100N6PA1-SB1	4.47 / 2.03
					Red/yellow	1 NO + 1 NC	EOT9100N6PA1-SR1	4.47 / 2.03
200	75	150	200	Pistol	Black	–	EOT9200N6PA1-PBA	32.50 / 14.74
					Red/yellow	–	EOT9200N6PA1-PRA	32.50 / 14.74
					Black	1 NO + 1 NC	EOT9200N6PA1-PB1	32.57 / 14.77
					Red/yellow	1 NO + 1 NC	EOT9200N6PA1-PR1	32.57 / 14.77
400	125	250	350	Pistol	Black	–	EOT9400N6PA1-PBA	99.00 / 44.91
					Red/yellow	–	EOT9400N6PA1-PRA	99.00 / 44.91
					Black	1 NO + 1 NC	EOT9400N6PA1-PB1	99.07 / 44.94
					Red/yellow	1 NO + 1 NC	EOT9400N6PA1-PR1	99.07 / 44.94
600	200	450	500	Pistol	Black	–	EOT9600N6PA1-PBA	164.00 / 74.39
					Red/yellow	–	EOT9600N6PA1-PRA	164.00 / 74.39
					Black	1 NO + 1 NC	EOT9600N6PA1-PB1	164.07 / 74.42
					Red/yellow	1 NO + 1 NC	EOT9600N6PA1-PR1	164.07 / 74.42

## EOT930 ... EOT9600 Enclosed Rotary Switches

6-pole UL 98, non-fused

NEMA 3R/12 metal enclosure



EOT9600N6PA3-PBA

6-pole UL 98, non-fused — NEMA 3R/12 metal enclosure

Amp rating (A)	Horsepower rating 3-phase			Handle type	Handle color	Auxiliary contacts	Catalog number	Weight / unit (lb / kg)
	240 V AC	480 V AC	600 V AC					
	HP	HP	HP					
30	10	20	30	Pistol	Black	–	EOT930N6PA3-PBA	4.40 / 2.00
					Red/yellow	–	EOT930N6PA3-PRA	4.40 / 2.00
					Black	1 NO + 1 NC	EOT930N6PA3-PB1	4.47 / 2.03
					Red/yellow	1 NO + 1 NC	EOT930N6PA3-PR1	4.47 / 2.03
				Selector	Black	–	EOT930N6PA3-SBA	4.40 / 2.00
					Red/yellow	–	EOT930N6PA3-SRA	4.40 / 2.00
					Black	1 NO + 1 NC	EOT930N6PA3-SB1	4.47 / 2.03
					Red/yellow	1 NO + 1 NC	EOT930N6PA3-SR1	4.47 / 2.03
60	20	40	40	Pistol	Black	–	EOT960N6PA3-PBA	4.40 / 2.00
					Red/yellow	–	EOT960N6PA3-PRA	4.40 / 2.00
					Black	1 NO + 1 NC	EOT960N6PA3-PB1	4.47 / 2.03
					Red/yellow	1 NO + 1 NC	EOT960N6PA3-PR1	4.47 / 2.03
				Selector	Black	–	EOT960N6PA3-SBA	4.40 / 2.00
					Red/yellow	–	EOT960N6PA3-SRA	4.40 / 2.00
					Black	1 NO + 1 NC	EOT960N6PA3-SB1	4.47 / 2.03
					Red/yellow	1 NO + 1 NC	EOT960N6PA3-SR1	4.47 / 2.03
100	30	50	50	Pistol	Black	–	EOT9100N6PA3-PBA	4.40 / 2.00
					Red/yellow	–	EOT9100N6PA3-PRA	4.40 / 2.00
					Black	1 NO + 1 NC	EOT9100N6PA3-PB1	4.47 / 2.03
					Red/yellow	1 NO + 1 NC	EOT9100N6PA3-PR1	4.47 / 2.03
				Selector	Black	–	EOT9100N6PA3-SBA	4.40 / 2.00
					Red/yellow	–	EOT9100N6PA3-SRA	4.40 / 2.00
					Black	1 NO + 1 NC	EOT9100N6PA3-SB1	4.47 / 2.03
					Red/yellow	1 NO + 1 NC	EOT9100N6PA3-SR1	4.47 / 2.03
200	75	150	200	Pistol	Black	–	EOT9200N6PA3-PBA	32.50 / 14.74
					Red/yellow	–	EOT9200N6PA3-PRA	32.50 / 14.74
					Black	1 NO + 1 NC	EOT9200N6PA3-PB1	32.57 / 14.77
					Red/yellow	1 NO + 1 NC	EOT9200N6PA3-PR1	32.57 / 14.77
400	125	250	350	Pistol	Black	–	EOT9400N6PA3-PBA	99.00 / 44.91
					Red/yellow	–	EOT9400N6PA3-PRA	99.00 / 44.91
					Black	1 NO + 1 NC	EOT9400N6PA3-PB1	99.07 / 44.94
					Red/yellow	1 NO + 1 NC	EOT9400N6PA3-PR1	99.07 / 44.94
600	200	450	500	Pistol	Black	–	EOT9600N6PA3-PBA	164.00 / 74.39
					Red/yellow	–	EOT9600N6PA3-PRA	164.00 / 74.39
					Black	1 NO + 1 NC	EOT9600N6PA3-PB1	164.07 / 74.42
					Red/yellow	1 NO + 1 NC	EOT9600N6PA3-PR1	164.07 / 74.42

## EOT930 ... EOT9600 Enclosed Rotary Switches

6-pole UL 98, non-fused

NEMA 4/4X stainless steel enclosure



EOT9200N6PAX-PRA

### 6-pole UL 98, non-fused — NEMA 4/4X stainless steel enclosure

Amp rating (A)	Horsepower rating 3-phase			Handle type	Handle color	Auxiliary contacts	Catalog number	Weight / unit (lb / kg)
	240 V AC	480 V AC	600 V AC					
	HP	HP	HP					
30	10	20	30	Pistol	Black	–	EOT930N6PAX-PBA	4.40 / 2.00
					Red/yellow	–	EOT930N6PAX-PRA	4.40 / 2.00
	10	20	30		Black	1 NO + 1 NC	EOT930N6PAX-PB1	4.47 / 2.03
					Red/yellow	1 NO + 1 NC	EOT930N6PAX-PR1	4.47 / 2.03
60	20	40	40	Pistol	Black	–	EOT960N6PAX-PBA	4.40 / 2.00
					Red/yellow	–	EOT960N6PAX-PRA	4.40 / 2.00
	20	40	40		Black	1 NO + 1 NC	EOT960N6PAX-PB1	4.47 / 2.03
					Red/yellow	1 NO + 1 NC	EOT960N6PAX-PR1	4.47 / 2.03
100	30	50	50	Pistol	Black	–	EOT9100N6PAX-PBA	4.40 / 2.00
					Red/yellow	–	EOT9100N6PAX-PRA	4.40 / 2.00
	30	50	50		Black	1 NO + 1 NC	EOT9100N6PAX-PB1	4.47 / 2.03
					Red/yellow	1 NO + 1 NC	EOT9100N6PAX-PR1	4.47 / 2.03
200	75	150	200	Pistol	Black	–	EOT9200N6PAX-PBA	33.90 / 15.38
					Red/yellow	–	EOT9200N6PAX-PRA	33.90 / 15.38
	75	150	200		Black	1 NO + 1 NC	EOT9200N6PAX-PB1	33.97 / 15.41
					Red/yellow	1 NO + 1 NC	EOT9200N6PAX-PR1	33.97 / 15.41
400	125	250	350	Pistol	Black	–	EOT9400N6PAX-PBA	128.60 / 58.33
					Red/yellow	–	EOT9400N6PAX-PRA	128.60 / 58.33
	125	250	350		Black	1 NO + 1 NC	EOT9400N6PAX-PB1	128.67 / 58.36
					Red/yellow	1 NO + 1 NC	EOT9400N6PAX-PR1	128.67 / 58.36
600	200	450	500	Pistol	Black	–	EOT9600N6PAX-PBA	149.60 / 67.86
					Red/yellow	–	EOT9600N6PAX-PRA	149.60 / 67.86
	200	450	500		Black	1 NO + 1 NC	EOT9600N6PAX-PB1	149.67 / 67.89
					Red/yellow	1 NO + 1 NC	EOT9600N6PAX-PR1	149.67 / 67.89

## EOT930 ... EOT9600 Enclosed Rotary Switches

6-pole UL 98, non-fused

NEMA 4/4X plastic enclosure



EOT930N6PAP-PRA

6-pole UL 98, non-fused — NEMA 4/4X plastic enclosure

Amp rating (A)	Horsepower rating 3-phase			Handle type	Handle color	Auxiliary contacts	Catalog number	Weight / unit (lb / kg)
	240 V AC	480 V AC	600 V AC					
	HP	HP	HP					
30	10	20	30	Pistol	Black	–	EOT930N6PAP-PBA	3.61 / 1.64
					Red/yellow	–	EOT930N6PAP-PRA	3.61 / 1.64
	Black	1 NO + 1 NC	EOT930N6PAP-PB1		3.68 / 1.67			
	Red/yellow	1 NO + 1 NC	EOT930N6PAP-PR1		3.68 / 1.67			
60	20	40	40	Pistol	Black	–	EOT960N6PAP-PBA	3.61 / 1.64
					Red/yellow	–	EOT960N6PAP-PRA	3.61 / 1.64
	Black	1 NO + 1 NC	EOT960N6PAP-PB1		3.68 / 1.67			
	Red/yellow	1 NO + 1 NC	EOT960N6PAP-PR1		3.68 / 1.67			
100	30	50	50	Pistol	Black	–	EOT9100N6PAP-PBA	6.02 / 2.73
					Red/yellow	–	EOT9100N6PAP-PRA	6.02 / 2.73
	Black	1 NO + 1 NC	EOT9100N6PAP-PB1		6.09 / 2.76			
	Red/yellow	1 NO + 1 NC	EOT9100N6PAP-PR1		6.09 / 2.76			
200	75	150	200	Pistol	Black	–	EOT9200N6PAP-PBA	22.20 / 10.07
					Red/yellow	–	EOT9200N6PAP-PRA	22.20 / 10.07
	Black	1 NO + 1 NC	EOT9200N6PAP-PB1		22.27 / 10.10			
	Red/yellow	1 NO + 1 NC	EOT9200N6PAP-PR1		22.27 / 10.10			
400	125	250	350	Pistol	Black	–	EOT9400N6PAP-PBA	97.30 / 44.13
					Red/yellow	–	EOT9400N6PAP-PRA	97.30 / 44.13
	Black	1 NO + 1 NC	EOT9400N6PAP-PB1		97.37 / 44.16			
	Red/yellow	1 NO + 1 NC	EOT9400N6PAP-PR1		97.37 / 44.16			
600	200	450	500	Pistol	Black	–	EOT9600N6PAP-PBA	118.30 / 53.66
					Red/yellow	–	EOT9600N6PAP-PRA	118.30 / 53.66
	Black	1 NO + 1 NC	EOT9600N6PAP-PB1		118.37 / 53.69			
	Red/yellow	1 NO + 1 NC	EOT9600N6PAP-PR1		118.37 / 53.69			

## EOT930 ... EOT9600 Enclosed Rotary Switches

3-pole UL 98, changeover non-fused

NEMA 1 metal enclosure



EOT960N3CA1-SRA

### 3-pole UL 98, changeover — NEMA 1 metal enclosure

Amp rating (A)	Horsepower rating 3-phase			Handle type	Handle color	Auxiliary contacts	Catalog number	Weight / unit (lb / kg)
	240 V AC	480 V AC	600 V AC					
	HP	HP	HP					
30	10	20	30	Pistol	Black	–	EOT930N3CA1-PBA	4.40 / 2.00
					Red/yellow	–	EOT930N3CA1-PRA	4.40 / 2.00
					Black	1 NO + 1 NC	EOT930N3CA1-PB1	4.47 / 2.03
					Red/yellow	1 NO + 1 NC	EOT930N3CA1-PR1	4.47 / 2.03
				Selector	Black	–	EOT930N3CA1-SBA	4.40 / 2.00
					Red/yellow	–	EOT930N3CA1-SRA	4.40 / 2.00
					Black	1 NO + 1 NC	EOT930N3CA1-SB1	4.47 / 2.03
					Red/yellow	1 NO + 1 NC	EOT930N3CA1-SR1	4.47 / 2.03
60	20	40	40	Pistol	Black	–	EOT960N3CA1-PBA	4.40 / 2.00
					Red/yellow	–	EOT960N3CA1-PRA	4.40 / 2.00
					Black	1 NO + 1 NC	EOT960N3CA1-PB1	4.47 / 2.03
					Red/yellow	1 NO + 1 NC	EOT960N3CA1-PR1	4.47 / 2.03
				Selector	Black	–	EOT960N3CA1-SBA	4.40 / 2.00
					Red/yellow	–	EOT960N3CA1-SRA	4.40 / 2.00
					Black	1 NO + 1 NC	EOT960N3CA1-SB1	4.47 / 2.03
					Red/yellow	1 NO + 1 NC	EOT960N3CA1-SR1	4.47 / 2.03
100	30	50	50	Pistol	Black	–	EOT9100N3CA1-PBA	4.40 / 2.00
					Red/yellow	–	EOT9100N3CA1-PRA	4.40 / 2.00
					Black	1 NO + 1 NC	EOT9100N3CA1-PB1	4.47 / 2.03
					Red/yellow	1 NO + 1 NC	EOT9100N3CA1-PR1	4.47 / 2.03
				Selector	Black	–	EOT9100N3CA1-SBA	4.40 / 2.00
					Red/yellow	–	EOT9100N3CA1-SRA	4.40 / 2.00
					Black	1 NO + 1 NC	EOT9100N3CA1-SB1	4.47 / 2.03
					Red/yellow	1 NO + 1 NC	EOT9100N3CA1-SR1	4.47 / 2.03
200	75	150	200	Pistol	Black	–	EOT9200N3CA1-PBA	32.50 / 14.74
					Red/yellow	–	EOT9200N3CA1-PRA	32.50 / 14.74
					Black	1 NO + 1 NC	EOT9200N3CA1-PB1	32.57 / 14.77
					Red/yellow	1 NO + 1 NC	EOT9200N3CA1-PR1	32.57 / 14.77
400	125	250	350	Pistol	Black	–	EOT9400N3CA1-PBA	99.00 / 44.91
					Red/yellow	–	EOT9400N3CA1-PRA	99.00 / 44.91
					Black	1 NO + 1 NC	EOT9400N3CA1-PB1	99.07 / 44.94
					Red/yellow	1 NO + 1 NC	EOT9400N3CA1-PR1	99.07 / 44.94
600	200	450	500	Pistol	Black	–	EOT9600N3CA1-PBA	164.00 / 74.39
					Red/yellow	–	EOT9600N3CA1-PRA	164.00 / 74.39
					Black	1 NO + 1 NC	EOT9600N3CA1-PB1	164.07 / 74.42
					Red/yellow	1 NO + 1 NC	EOT9600N3CA1-PR1	164.07 / 74.42

## EOT930 ... EOT9600 Enclosed Rotary Switches

3-pole UL 98, changeover non-fused  
NEMA 3R/12 metal enclosure



EOT960N3CA3-PBA

3-pole UL 98, changeover — NEMA 3R/12 metal enclosure

Amp rating (A)	Horsepower rating 3-phase			Handle type	Handle color	Auxiliary contacts	Catalog number	Weight / unit (lb / kg)	
	240 V AC	480 V AC	600 V AC						
	HP	HP	HP						
30	10	20	30	Pistol	Black	-	EOT930N3CA3-PBA	4.40 / 2.00	
					Red/yellow	-	EOT930N3CA3-PRA	4.40 / 2.00	
					Black	1 NO + 1 NC	EOT930N3CA3-PB1	4.47 / 2.03	
				Red/yellow	1 NO + 1 NC	EOT930N3CA3-PR1	4.47 / 2.03		
				Selector	Black	-	EOT930N3CA3-SBA	4.40 / 2.00	
					Red/yellow	-	EOT930N3CA3-SRA	4.40 / 2.00	
	Black	1 NO + 1 NC	EOT930N3CA3-SB1		4.47 / 2.03				
	60	20	40	40	Pistol	Black	-	EOT960N3CA3-PBA	4.40 / 2.00
						Red/yellow	-	EOT960N3CA3-PRA	4.40 / 2.00
						Black	1 NO + 1 NC	EOT960N3CA3-PB1	4.47 / 2.03
					Red/yellow	1 NO + 1 NC	EOT960N3CA3-PR1	4.47 / 2.03	
					Selector	Black	-	EOT960N3CA3-SBA	4.40 / 2.00
Red/yellow						-	EOT960N3CA3-SRA	4.40 / 2.00	
Black	1 NO + 1 NC	EOT960N3CA3-SB1	4.47 / 2.03						
100	30	50	50	Pistol	Black	-	EOT9100N3CA3-PBA	4.40 / 2.00	
					Red/yellow	-	EOT9100N3CA3-PRA	4.40 / 2.00	
					Black	1 NO + 1 NC	EOT9100N3CA3-PB1	4.47 / 2.03	
				Red/yellow	1 NO + 1 NC	EOT9100N3CA3-PR1	4.47 / 2.03		
				Selector	Black	-	EOT9100N3CA3-SBA	4.40 / 2.00	
					Red/yellow	-	EOT9100N3CA3-SRA	4.40 / 2.00	
Black	1 NO + 1 NC	EOT9100N3CA3-SB1	4.47 / 2.03						
200	75	150	200	Pistol	Black	-	EOT9200N3CA3-PBA	32.50 / 14.74	
					Red/yellow	-	EOT9200N3CA3-PRA	32.50 / 14.74	
					Black	1 NO + 1 NC	EOT9200N3CA3-PB1	32.57 / 14.77	
					Red/yellow	1 NO + 1 NC	EOT9200N3CA3-PR1	32.57 / 14.77	
400	125	250	350	Pistol	Black	-	EOT9400N3CA3-PBA	99.00 / 44.91	
					Red/yellow	-	EOT9400N3CA3-PRA	99.00 / 44.91	
					Black	1 NO + 1 NC	EOT9400N3CA3-PB1	99.07 / 44.94	
					Red/yellow	1 NO + 1 NC	EOT9400N3CA3-PR1	99.07 / 44.94	
600	200	450	500	Pistol	Black	-	EOT9600N3CA3-PBA	164.00 / 74.39	
					Red/yellow	-	EOT9600N3CA3-PRA	164.00 / 74.39	
					Black	1 NO + 1 NC	EOT9600N3CA3-PB1	164.07 / 74.42	
					Red/yellow	1 NO + 1 NC	EOT9600N3CA3-PR1	164.07 / 74.42	

## EOT930 ... EOT9600 Enclosed Rotary Switches

3-pole UL 98, changeover non-fused

NEMA 4/4X stainless steel and NEMA 4/4X plastic enclosures



EOT9600N3CAX-PBA

### 3-pole UL 98, changeover — NEMA 4/4X stainless steel enclosure

Amp rating (A)	Horsepower rating 3-phase			Handle type	Handle color	Auxiliary contacts	Catalog number	Weight / unit (lb / kg)
	240 V AC	480 V AC	600 V AC					
	HP	HP	HP					
30	10	20	30	Pistol	Black	–	EOT930N3CAX-PBA	4.40 / 2.00
					Black	1 NO + 1 NC	EOT930N3CAX-PB1	4.47 / 2.03
60	20	40	40	Pistol	Black	–	EOT960N3CAX-PBA	4.40 / 2.00
					Black	1 NO + 1 NC	EOT960N3CAX-PB1	4.47 / 2.03
100	30	50	50	Pistol	Black	–	EOT9100N3CAX-PBA	4.40 / 2.00
					Black	1 NO + 1 NC	EOT9100N3CAX-PB1	4.47 / 2.03
200	75	150	200	Pistol	Black	–	EOT9200N3CAX-PBA	33.90 / 15.38
					Black	1 NO + 1 NC	EOT9200N3CAX-PB1	33.97 / 15.41
400	125	250	350	Pistol	Black	–	EOT9400N3CAX-PBA	128.60 / 58.33
					Black	1 NO + 1 NC	EOT9400N3CAX-PB1	128.67 / 58.36
600	200	450	500	Pistol	Black	–	EOT9600N3CAX-PBA	149.60 / 67.86
					Black	1 NO + 1 NC	EOT9600N3CAX-PB1	149.67 / 67.89



EOT9100N3CAP-PRA

### 3-pole UL 98, changeover — NEMA 4/4X plastic enclosure

Amp rating (A)	Horsepower rating 3-phase			Handle type	Handle color	Auxiliary contacts	Catalog number	Weight / unit (lb / kg)
	240 V AC	480 V AC	600 V AC					
	HP	HP	HP					
30	10	20	30	Pistol	Black	–	EOT930N3CAP-PBA	3.61 / 1.64
					Black	1 NO + 1 NC	EOT930N3CAP-PB1	3.68 / 1.67
60	20	40	40	Pistol	Black	–	EOT960N3CAP-PBA	3.61 / 1.64
					Black	1 NO + 1 NC	EOT960N3CAP-PB1	3.68 / 1.67
100	30	50	50	Pistol	Black	–	EOT9100N3CAP-PBA	6.02 / 2.73
					Black	1 NO + 1 NC	EOT9100N3CAP-PB1	6.09 / 2.76
200	75	150	200	Pistol	Black	–	EOT9200N3CAP-PBA	22.20 / 10.07
					Black	1 NO + 1 NC	EOT9200N3CAP-PB1	22.27 / 10.10
400	125	250	350	Pistol	Black	–	EOT9400N3CAP-PBA	97.30 / 44.13
					Black	1 NO + 1 NC	EOT9400N3CAP-PB1	97.37 / 44.16
600	200	450	500	Pistol	Black	–	EOT9600N3CAP-PBA	118.30 / 53.66
					Black	1 NO + 1 NC	EOT9600N3CAP-PB1	118.37 / 53.69

## EOS930 ... EOS9600 Enclosed Rotary Switches

3-pole UL 98, fused

NEMA 1 metal enclosure



EOS9100J3PA1-SRA

3-pole UL 98, fused — NEMA 1 metal enclosure

Amp rating (A)	Horsepower rating 3-phase			Fuse class	Handle type	Handle color	Auxiliary contacts	Catalog number	Weight / unit (lb / kg)
	240 V AC	480 V AC	600 V AC						
	HP	HP	HP						
30	7.5	15	20	CC-class	Pistol	Black	-	EOS930C3PA1-PBA	3.50 / 1.59
						Red/yellow	-	EOS930C3PA1-PRA	3.50 / 1.59
						Black	1 NO + 1 NC	EOS930C3PA1-PB1	3.57 / 1.62
						Red/yellow	1 NO + 1 NC	EOS930C3PA1-PR1	3.57 / 1.62
	7.5	15	20	J-class	Pistol	Black	-	EOS930J3PA1-PBA	3.50 / 1.59
						Red/yellow	-	EOS930J3PA1-PRA	3.50 / 1.59
						Black	1 NO + 1 NC	EOS930J3PA1-PB1	3.57 / 1.62
						Red/yellow	1 NO + 1 NC	EOS930J3PA1-PR1	3.57 / 1.62
60	15	30	50	J-class	Pistol	Black	-	EOS960J3PA1-PBA	5.50 / 2.49
						Red/yellow	-	EOS960J3PA1-PRA	5.50 / 2.49
						Black	1 NO + 1 NC	EOS960J3PA1-PB1	5.57 / 2.52
						Red/yellow	1 NO + 1 NC	EOS960J3PA1-PR1	5.57 / 2.52
100	30	60	75	J-class	Pistol	Black	-	EOS9100J3PA1-PBA	8.50 / 3.86
						Red/yellow	-	EOS9100J3PA1-PRA	8.50 / 3.86
						Black	1 NO + 1 NC	EOS9100J3PA1-PB1	8.57 / 3.89
						Red/yellow	1 NO + 1 NC	EOS9100J3PA1-PR1	8.57 / 3.89
200	60	125	150	J-class	Pistol	Black	-	EOS9200J3PA1-PBA	38.20 / 17.33
						Red/yellow	-	EOS9200J3PA1-PRA	38.20 / 17.33
						Black	1 NO + 1 NC	EOS9200J3PA1-PB1	38.27 / 17.36
						Red/yellow	1 NO + 1 NC	EOS9200J3PA1-PR1	38.27 / 17.36
400	125	250	350	J-class	Pistol	Black	-	EOS9400J3PA1-PBA	101.00 / 45.81
						Red/yellow	-	EOS9400J3PA1-PRA	101.00 / 45.81
						Black	1 NO + 1 NC	EOS9400J3PA1-PB1	101.07 / 45.84
						Red/yellow	1 NO + 1 NC	EOS9400J3PA1-PR1	101.07 / 45.84
600	200	400	500	J-class	Pistol	Black	-	EOS9600J3PA1-PBA	126.20 / 57.24
						Red/yellow	-	EOS9600J3PA1-PRA	126.20 / 57.24
						Black	1 NO + 1 NC	EOS9600J3PA1-PB1	126.27 / 57.27
						Red/yellow	1 NO + 1 NC	EOS9600J3PA1-PR1	126.27 / 57.27

## EOS930 ... EOS9600 Enclosed Rotary Switches

3-pole UL 98, fused

NEMA 3R/12 metal enclosure



EOS9100J3PA3-PBA

3-pole UL 98, fused — NEMA 3R/12 metal enclosure

Amp rating (A)	Horsepower rating 3-phase			Fuse class	Handle type	Handle color	Auxiliary contacts	Catalog number	Weight / unit (lb / kg)
	240 V AC	480 V AC	600 V AC						
	HP	HP	HP						
30	7.5	15	20	CC-class	Pistol	Black	–	EOS930C3PA3-PBA	3.50 / 1.59
						Red/yellow	–	EOS930C3PA3-PRA	3.50 / 1.59
						Black	1 NO + 1 NC	EOS930C3PA3-PB1	3.57 / 1.62
						Red/yellow	1 NO + 1 NC	EOS930C3PA3-PR1	3.57 / 1.62
	7.5	15	20	J-class	Pistol	Black	–	EOS930J3PA3-PBA	3.50 / 1.59
						Red/yellow	–	EOS930J3PA3-PRA	3.50 / 1.59
						Black	1 NO + 1 NC	EOS930J3PA3-PB1	3.57 / 1.62
						Red/yellow	1 NO + 1 NC	EOS930J3PA3-PR1	3.57 / 1.62
60	15	30	50	J-class	Pistol	Black	–	EOS960J3PA3-PBA	5.25 / 2.38
						Red/yellow	–	EOS960J3PA3-PRA	5.25 / 2.38
						Black	1 NO + 1 NC	EOS960J3PA3-PB1	5.32 / 2.41
						Red/yellow	1 NO + 1 NC	EOS960J3PA3-PR1	5.32 / 2.41
100	30	60	75	J-class	Pistol	Black	–	EOS9100J3PA3-PBA	8.25 / 3.74
						Red/yellow	–	EOS9100J3PA3-PRA	8.25 / 3.74
						Black	1 NO + 1 NC	EOS9100J3PA3-PB1	8.32 / 3.77
						Red/yellow	1 NO + 1 NC	EOS9100J3PA3-PR1	8.32 / 3.77
200	60	125	150	J-class	Pistol	Black	–	EOS9200J3PA3-PBA	38.20 / 17.33
						Red/yellow	–	EOS9200J3PA3-PRA	38.20 / 17.33
						Black	1 NO + 1 NC	EOS9200J3PA3-PB1	38.27 / 17.36
						Red/yellow	1 NO + 1 NC	EOS9200J3PA3-PR1	38.27 / 17.36
400	125	250	350	J-class	Pistol	Black	–	EOS9400J3PA3-PBA	101.00 / 45.81
						Red/yellow	–	EOS9400J3PA3-PRA	101.00 / 45.81
						Black	1 NO + 1 NC	EOS9400J3PA3-PB1	101.07 / 45.84
						Red/yellow	1 NO + 1 NC	EOS9400J3PA3-PR1	101.07 / 45.84
600	200	400	500	J-class	Pistol	Black	–	EOS9600J3PA3-PBA	126.20 / 57.24
						Red/yellow	–	EOS9600J3PA3-PRA	126.20 / 57.24
						Black	1 NO + 1 NC	EOS9600J3PA3-PB1	126.27 / 57.27
						Red/yellow	1 NO + 1 NC	EOS9600J3PA3-PR1	126.27 / 57.27

## EOS930 ... EOS9600 Enclosed Rotary Switches

3-pole UL 98, fused

NEMA 4/4X stainless steel enclosure



EOS9100J3PAX-PXA

3-pole UL 98, fused —NEMA 4/4X stainless steel enclosure

Amp rating (A)	Horsepower rating 3-phase			Fuse class	Handle type	Handle color	Auxiliary contacts	Catalog number	Weight / unit (lb / kg)
	240 V AC	480 V AC	600 V AC						
	HP	HP	HP						
30	7.5	15	20	CC-class	Pistol	Black	–	EOS930C3PAX-PBA	3.50 / 1.59
						Red/yellow	–	EOS930C3PAX-PRA	3.50 / 1.59
						Stainless steel	–	EOS930C3PAX-PXA	3.50 / 1.59
						Black	1 NO + 1 NC	EOS930C3PAX-PB1	3.57 / 1.62
						Red/yellow	1 NO + 1 NC	EOS930C3PAX-PR1	3.57 / 1.62
						Stainless steel	1 NO + 1 NC	EOS930C3PAX-PX1	3.57 / 1.62
	7.5	15	20	J-class	Pistol	Black	–	EOS930J3PAX-PBA	3.50 / 1.59
						Red/yellow	–	EOS930J3PAX-PRA	3.50 / 1.59
						Stainless steel	–	EOS930J3PAX-PXA	3.50 / 1.59
						Black	1 NO + 1 NC	EOS930J3PAX-PB1	3.57 / 1.62
						Red/yellow	1 NO + 1 NC	EOS930J3PAX-PR1	3.57 / 1.62
						Stainless steel	1 NO + 1 NC	EOS930J3PAX-PX1	3.57 / 1.62
60	15	30	50	J-class	Pistol	Black	–	EOS960J3PAX-PBA	5.00 / 2.27
						Red/yellow	–	EOS960J3PAX-PRA	5.00 / 2.27
						Stainless steel	–	EOS960J3PAX-PXA	5.00 / 2.27
						Black	1 NO + 1 NC	EOS960J3PAX-PB1	5.07 / 2.30
						Red/yellow	1 NO + 1 NC	EOS960J3PAX-PR1	5.07 / 2.30
						Stainless steel	1 NO + 1 NC	EOS960J3PAX-PX1	5.07 / 2.30
100	30	60	75	J-class	Pistol	Black	–	EOS9100J3PAX-PBA	8.25 / 3.74
						Red/yellow	–	EOS9100J3PAX-PRA	8.25 / 3.74
						Stainless steel	–	EOS9100J3PAX-PXA	8.25 / 3.74
						Black	1 NO + 1 NC	EOS9100J3PAX-PB1	8.32 / 3.77
						Red/yellow	1 NO + 1 NC	EOS9100J3PAX-PR1	8.32 / 3.77
						Stainless steel	1 NO + 1 NC	EOS9100J3PAX-PX1	8.32 / 3.77
200	60	125	150	J-class	Pistol	Black	–	EOS9200J3PAX-PBA	39.60 / 17.96
						Red/yellow	–	EOS9200J3PAX-PRA	39.60 / 17.96
						Stainless steel	–	EOS9200J3PAX-PXA	39.60 / 17.96
						Black	1 NO + 1 NC	EOS9200J3PAX-PB1	39.67 / 17.99
						Red/yellow	1 NO + 1 NC	EOS9200J3PAX-PR1	39.67 / 17.99
						Stainless steel	1 NO + 1 NC	EOS9200J3PAX-PX1	39.67 / 17.99
400	125	250	350	J-class	Pistol	Black	–	EOS9400J3PAX-PBA	130.60 / 59.24
						Red/yellow	–	EOS9400J3PAX-PRA	130.60 / 59.24
						Stainless steel	–	EOS9400J3PAX-PXA	130.60 / 59.24
						Black	1 NO + 1 NC	EOS9400J3PAX-PB1	130.67 / 59.27
						Red/yellow	1 NO + 1 NC	EOS9400J3PAX-PR1	130.67 / 59.27
						Stainless steel	1 NO + 1 NC	EOS9400J3PAX-PX1	130.67 / 59.27
600	200	400	500	J-class	Pistol	Black	–	EOS9600J3PAX-PBA	143.60 / 65.14
						Red/yellow	–	EOS9600J3PAX-PRA	143.60 / 65.14
						Stainless steel	–	EOS9600J3PAX-PXA	143.60 / 65.14
						Black	1 NO + 1 NC	EOS9600J3PAX-PB1	143.67 / 65.17
						Red/yellow	1 NO + 1 NC	EOS9600J3PAX-PR1	143.67 / 65.17
						Stainless steel	1 NO + 1 NC	EOS9600J3PAX-PX1	143.67 / 65.17

## EOS930 ... EOS9600 Enclosed Rotary Switches

3-pole UL 98, fused

NEMA 4/4X plastic enclosure



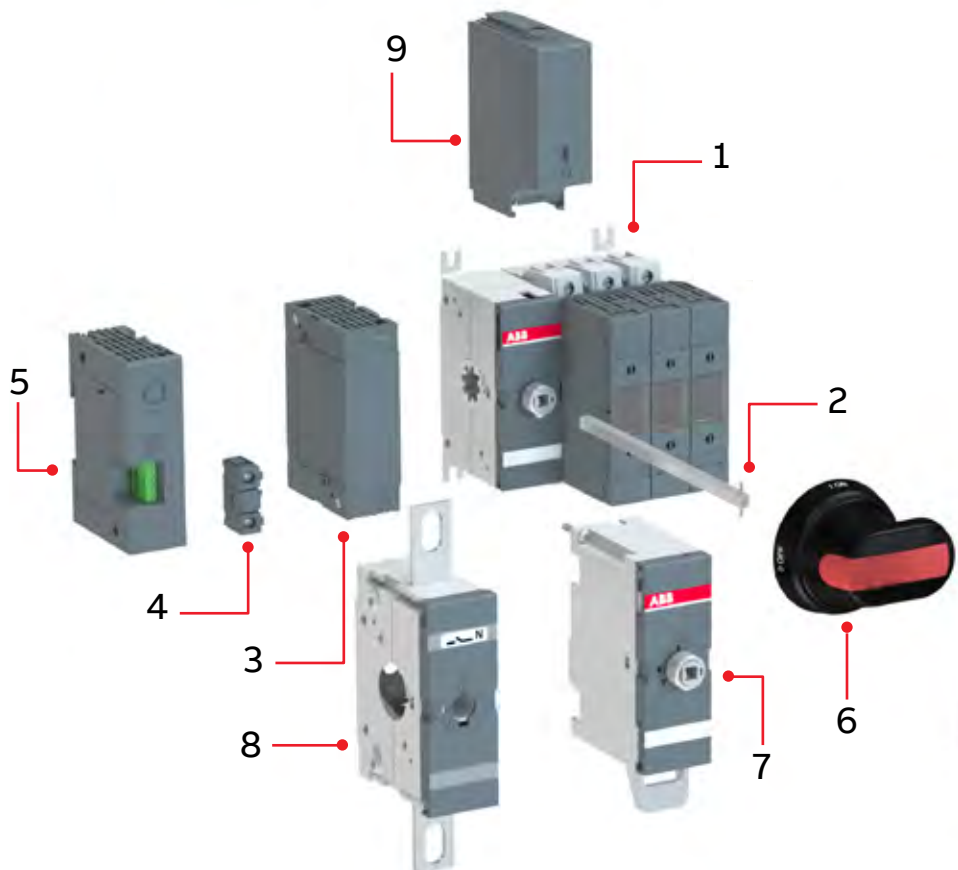
EOS930J3PAP-PBA

3-pole UL 98, fused — NEMA 4/4X plastic enclosure

Amp rating (A)	Horsepower rating 3-phase			Fuse class	Handle type	Handle color	Auxiliary contacts	Catalog number	Weight / unit (lb / kg)
	240 V AC	480 V AC	600 V AC						
	HP	HP	HP						
30	7.5	15	20	CC-class	Pistol	Black	-	EOS930C3PAP-PBA	3.30 / 1.50
						Red/yellow	-	EOS930C3PAP-PRA	3.30 / 1.50
						Black	1 NO + 1 NC	EOS930C3PAP-PB1	3.37 / 1.53
						Red/yellow	1 NO + 1 NC	EOS930C3PAP-PR1	3.37 / 1.53
	7.5	15	20	J-class	Pistol	Black	-	EOS930J3PAP-PBA	3.30 / 1.50
						Red/yellow	-	EOS930J3PAP-PRA	3.30 / 1.50
						Black	1 NO + 1 NC	EOS930J3PAP-PB1	3.37 / 1.53
						Red/yellow	1 NO + 1 NC	EOS930J3PAP-PR1	3.37 / 1.53
60	15	30	50	J-class	Pistol	Black	-	EOS960J3PAP-PBA	6.62 / 3.00
						Red/yellow	-	EOS960J3PAP-PRA	6.62 / 3.00
						Black	1 NO + 1 NC	EOS960J3PAP-PB1	6.69 / 3.03
						Red/yellow	1 NO + 1 NC	EOS960J3PAP-PR1	6.69 / 3.03
100	30	60	75	J-class	Pistol	Black	-	EOS9100J3PAP-PBA	10.70 / 4.85
						Red/yellow	-	EOS9100J3PAP-PRA	10.70 / 4.85
						Black	1 NO + 1 NC	EOS9100J3PAP-PB1	10.77 / 4.88
						Red/yellow	1 NO + 1 NC	EOS9100J3PAP-PR1	10.77 / 4.88
200	60	125	150	J-class	Pistol	Black	-	EOS9200J3PAP-PBA	20.33 / 9.22
						Red/yellow	-	EOS9200J3PAP-PRA	20.33 / 9.22
						Black	1 NO + 1 NC	EOS9200J3PAP-PB1	20.40 9.25
						Red/yellow	1 NO + 1 NC	EOS9200J3PAP-PR1	20.40 9.25
400	125	250	350	J-class	Pistol	Black	-	EOS9400J3PAP-PBA	99.30 / 45.04
						Red/yellow	-	EOS9400J3PAP-PRA	99.30 / 45.04
						Black	1 NO + 1 NC	EOS9400J3PAP-PB1	99.37 / 45.07
						Red/yellow	1 NO + 1 NC	EOS9400J3PAP-PR1	99.37 / 45.07
600	200	400	500	J-class	Pistol	Black	-	EOS9600J3PAP-PBA	112.30 / 50.94
						Red/yellow	-	EOS9600J3PAP-PRA	112.30 / 50.94
						Black	1 NO + 1 NC	EOS9600J3PAP-PB1	112.37 / 50.97
						Red/yellow	1 NO + 1 NC	EOS9600J3PAP-PR1	112.37 / 50.97

## Fusible disconnect switch EOS960\_ accessories

Accessories selection overview



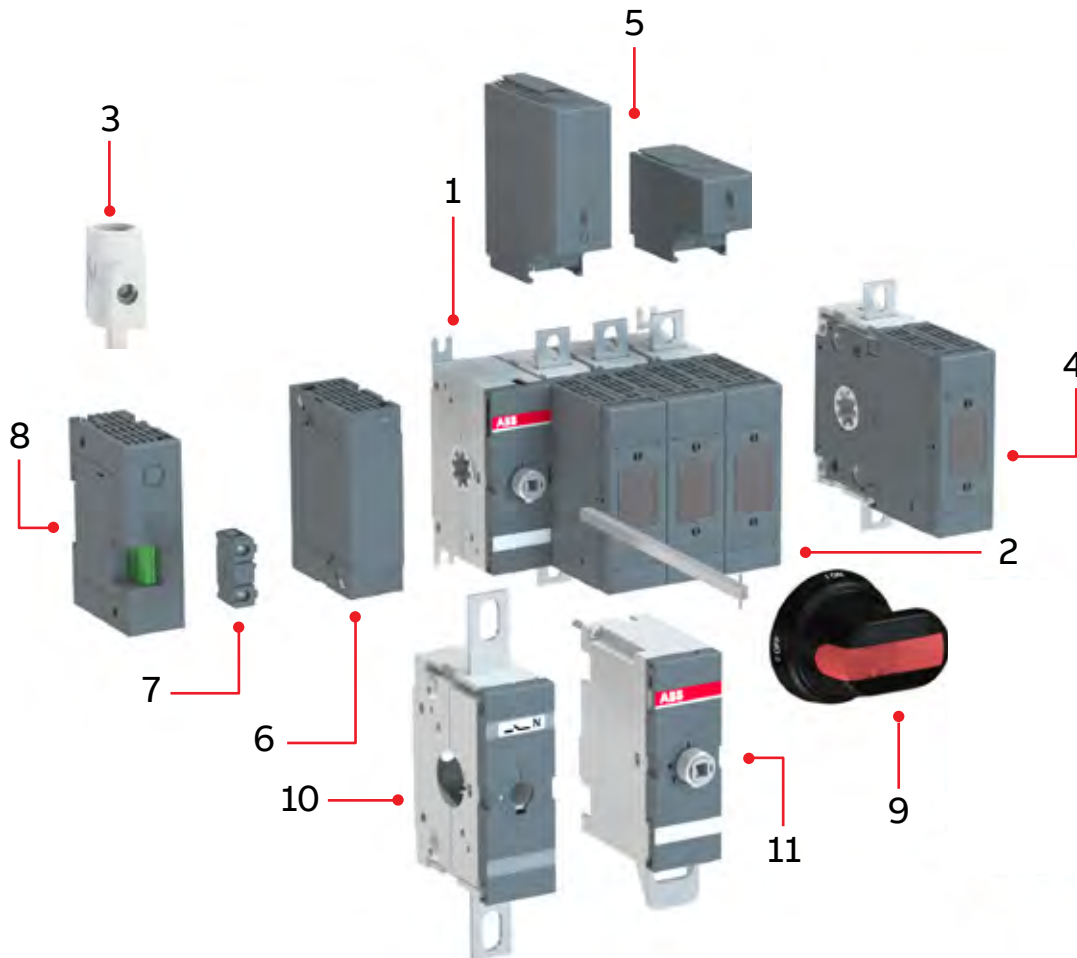
### Accessory guide for EOS960\_

- |                                  |                            |
|----------------------------------|----------------------------|
| 1. Fusible switch                | 6. Pistol handle           |
| 2. Shaft                         | 7. Electrical interlock    |
| 3. Module for auxiliary contacts | 8. Detachable neutral link |
| 4. Auxiliary contact             | 9. Terminal shroud         |
| 5. Fuse monitor                  |                            |

Please note that listed accessories are not automatically included in your order.  
Ordering information for accessories starts on page 40.

ABB is distributed by Gross Automation!  
+1(262)252-1600 or [sales@grossautomation.com](mailto:sales@grossautomation.com)

## Fusible disconnect switches EOS9100\_...EOS9600\_ Accessories selection overview



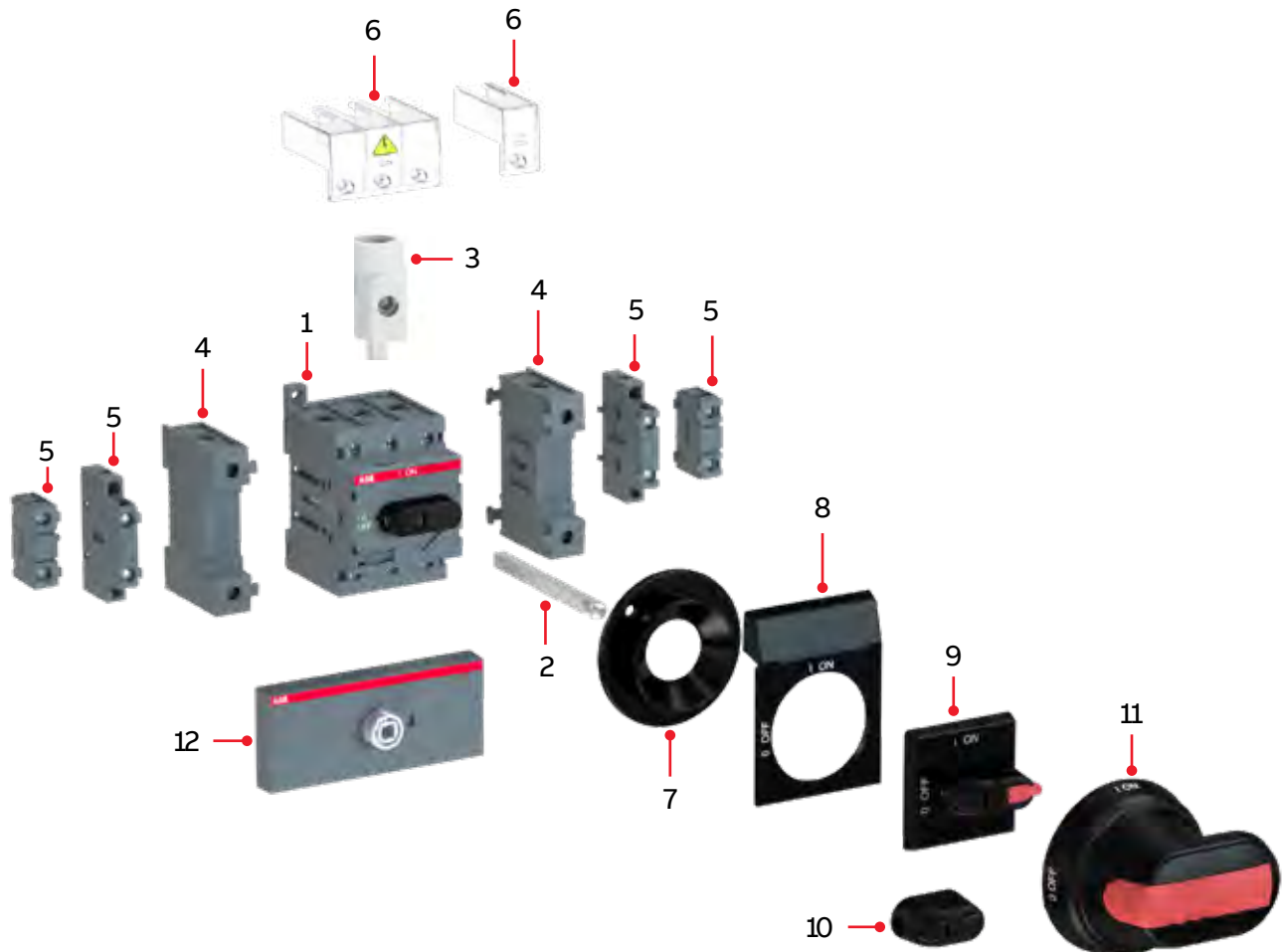
### Accessory guide for EOS9100\_...EOS9600\_

- |                                 |                             |
|---------------------------------|-----------------------------|
| 1. Fusible switch               | 7. Auxiliary contact        |
| 2. Shaft                        | 8. Fuse monitor             |
| 3. Terminal clamp               | 9. Pistol handle            |
| 4. Fourth pole                  | 10. Detachable neutral link |
| 5. Terminal shroud              | 11. Electrical interlock    |
| 6. Module for auxiliary contact |                             |

Please note that listed accessories are not automatically included in your order.  
Ordering information for accessories starts on page 40.

## Non-fusible disconnect switches EOT520\_....EOT580\_ and EOT930\_..EOT9100\_

Accessories selection overview

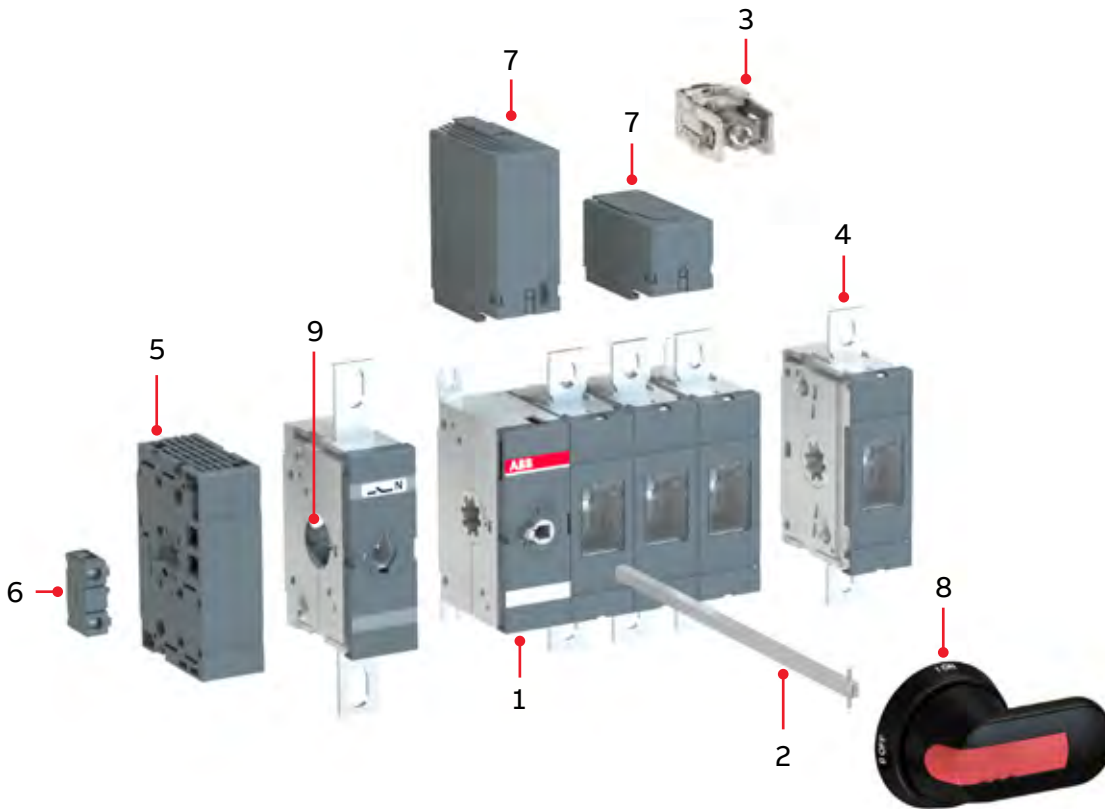


### Accessory guide for EOT520\_....EOT580\_ and EOT930\_..EOT9100\_ (door mounted disconnect switches)

- |  |                         |
|--|-------------------------|
| 1. Non-fusible switch                  | 7. Shaft alignment ring |
| 2. Extended shaft                      | 8. Legend plate         |
| 3. Terminal clamp                      | 9. Selector handle      |
| 4. Fourth pole,<br>N- and PE-terminals | 10. Handle knob         |
| 5. Auxiliary contact                   | 11. Pistol handle       |
| 6. Terminal shroud                     | 12. Conversion kit      |

Please note that listed accessories are not automatically included in your order.  
Ordering information for accessories starts on page 40.

## Non-fusible disconnect switches EOT9200\_.....EOT9600\_ Accessories selection overview



### Accessory guide for EOT9200\_.....EOT9600\_

- |                                 |                            |
|---------------------------------|----------------------------|
| 1. Non-fusible switch           | 7. Terminal shroud         |
| 2. Extended shaft               | 8. Pistol handle           |
| 3. Terminal clamp               | 9. Detachable neutral link |
| 4. Fourth pole                  |                            |
| 5. Module for auxiliary contact |                            |
| 6. Auxiliary contact            |                            |

Please note that listed accessories are not automatically included in your order.  
Ordering information for accessories starts on page 40.

## Accessories for fusible/non-fusible disconnect switches 20–200 A

Ordering information for pistol handles for UL 508 and UL 98 enclosures



OHB45J6

### Pistol handle for front-operated fusible switches

Padlockable with 3 padlocks in the OFF position, door interlock in the ON position. Screw fixing from the back side of the handle ensures double insulation.



OHY65J6

For shaft diameter 6 mm 20–200 A



OHG80J6



OHM65L6



OHB65J6T

Color	Handle length [mm]	Type	Order number	Weight/unit [kg]
<b>NEMA Type 1/3R/12 (IP65), black and red-yellow: I-O/ON-OFF, gray: I-O</b>				
Black	45	OHB45J6	1SCA022380R8770	0.13
Red-yellow	45	OHY45J6	1SCA022380R8930	0.13
Grey	45	OHG45J6	1SCA022380R8850	0.13
Black	65	OHB65J6	1SCA022380R9660	0.13
Red-yellow	65	OHY65J6	1SCA022380R9820	0.13
Gray	65	OHG65J6	1SCA022380R9740	0.13
Black	80	OHB80J6	1SCA022381R0240	0.14
Red-yellow	80	OHY80J6	1SCA022381R0410	0.14
Grey	80	OHG80J6	1SCA022381R0320	0.14
<b>NEMA Type 4/4X (IP66), black, red-yellow and metal: I-O/ON-OFF</b>				
Black	45	OHB45L6	1SCA109848R1001	0.14
Red-yellow	45	OHY45L6	1SCA109849R1001	0.14
Metal	45	OHM45L6	1SCA111295R1001	0.7
Black	65	OHB65L6	1SCA022580R9650	0.14
Red-yellow	65	OHY65L6	1SCA109850R1001	0.14
Metal	65	OHM65L6	1SCA022739R1070	0.8
Black	80	OHB80L6	1SCA022577R7010	0.16
Red-yellow	80	OHY80L6	1SCA022577R7190	0.16
<b>NEMA Type 1/3R/12 (IP66), black and red-yellow: Test/I-O/ON-OFF, gray: Test/I-O</b>				
Black	45	OHB45J6T	1SCA109870R1001	0.13
Black	65	OHB65J6T	1SCA022399R8110	0.13
Red-yellow	65	OHY65J6T	1SCA022456R9540	0.13
Gray	65	OHG65J6T	1SCA022456R9620	0.13
Black	80	OHB80J6T	1SCA022399R8290	0.14

Door interlocking in the ON position means that the door cannot be opened, when the handle is in the ON-position. This can be defeated to allow authorized personnel access for inspection. Handles padlockable in all positions are available on request.

## Accessories for fusible/non-fusible disconnect switches 400–600 A

Ordering information for pistol handles for UL 98 enclosures



OHB95J12



OHY125J12



OHG145J12



OHM125L12



OHM175L12



OHY95J12T



OHB125J12T



OHB175J12T

### Pistol handle for front-operated fusible/non-fusible switches

Padlockable with 3 padlocks in the OFF position, door interlock in the ON position. Screw fixing from the back side of the handle ensures double insulation.

For shaft diameter 12 mm 400–600 A

Color	Handle length [mm]	Type	Order number	Weight/unit [kg]
<b>NEMA Type 1/3R/12 (IP65), black and red-yellow: I-O/On-OFF, gray: I-O</b>				
Black	95	OHB95J12	1SCA022381R0830	0.15
Red-yellow	95	OHY95J12	1SCA022381R1050	0.15
Gray	95	OHG95J12	1SCA022381R0910	0.15
Black	125	OHB125J12	1SCA022381R1560	0.16
Red-yellow	125	OHY125J12	1SCA022381R1720	0.16
Gray	125	OHG125J12	1SCA022381R1640	0.16
Black	145	OHB145J12	1SCA022381R2110	0.17
Red-yellow	145	OHY145J12	1SCA022381R2370	0.17
Gray	145	OHG145J12	1SCA022381R2290	0.17
Black	175	OHB175J12	1SCA022381R2450	0.20
Red-yellow	175	OHY175J12	1SCA022381R2700	0.20
Gray	175	OHG175J12	1SCA022381R2610	0.20
<b>NEMA Type 4/4X (IP66), black, red-yellow and metal: I-O/On-OFF</b>				
Black	125	OHB125L12	1SCA022577R7350	0.17
Metal	125	OHM125L12	1SCA022739R1150	0.80
Black	145	OHB145L12	1SCA022577R7510	0.18
Red-yellow	145	OHY145L12	1SCA022577R7600	0.18
Black	175	OHB175L12	1SCA022577R7780	0.20
Red-yellow	175	OHY175L12	1SCA022577R7860	0.20
Metal	175	OHM175L12	1SCA022739R1230	0.90
Black	274	OHB274L12	1SCA120238R1001	0.24
Black	330	OHB330L12	1SCA120256R1001	0.60
<b>NEMA Type 1/3R/12 (IP65), black and red-yellow: Test/I-O/ON-OFF</b>				
Black	95	OHB95J12T	1SCA022736R1750	0.15
Red-yellow	95	OHY95J12T	1SCA022736R1910	0.15
Black	125	OHB125J12T	1SCA022652R2220	0.16
Red-yellow	125	OHY125J12T	1SCA022652R2310	0.16
Black	145	OHB145J12T	1SCA022652R2570	0.17
Red-yellow	145	OHY145J12T	1SCA022652R2650	0.17
Black	175	OHB175J12T	1SCA022708R0740	0.20
Black	274	OHB274J12T	1SCA120250R1001	0.42
Black	330	OHB330J12T	1SCA120252R1001	0.60

Door interlocking in the ON position means that the door cannot be opened when the handle is in the ON position. This can be defeated to allow authorized personnel access for inspection. Handles padlockable in all positions are available on request.

## Accessories for non-fusible disconnect switches 20–100 A

Ordering information for selector handles for UL 508 and UL 98 enclosures



OHBS3AH



OHYS3AH



OHBS2AJ



OHYS2AJ



OHBS2AJ\_EH

### Selector handles for base and DIN-rail mounted switches

For shaft diameter 6 mm, door drilling 22.5 mm. Indication I-O and ON-OFF.

#### Selector handles for base and DIN-rail mounted switches

Suitable for switches	Color	Type	Order number	Weight/unit kg
<b>IP54 handles, NEMA 1</b>				
20–100 A	Black	OHBS1AH	1SCA102680R1001	0.05
	Red-yellow	OHYS1AH	1SCA105290R1001	0.05
<b>Door interlock in ON-position</b>				
20–100 A	Black	OHBS1AH1	1SCA105210R1001	0.05
	Red-yellow	OHYS1AH1	1SCA105291R1001	0.05
<b>Padlockable with one padlock with bail diameter 5...6.3 mm</b>				
20–100 A	Black	OHBS3AH	1SCA105234R1001	0.05
	Red-yellow	OHYS3AH	1SCA105325R1001	0.05
<b>Padlockable with one padlock with bail diameter 5...6.3 mm, door interlock in ON position</b>				
20–100 A	Black	OHBS3AH1	1SCA105235R1001	0.05
	Red-yellow	OHYS3AH1	1SCA105326R1001	0.05
<b>IP65 handles, NEMA 1, 3R, 12</b>				
Padlockable with max. 3 padlocks with bail diameter 5...8 mm, defeatable door interlock in ON-position, door interlocking in OFF position when padlocked				
20–100 A	Black	OHBS2AJ	1SCA105213R1001	0.07
	Red-yellow	OHYS2AJ	1SCA105296R1001	0.07
<b>Padlockable with max. 3 padlocks with bail diameter 5...8 mm, door interlock in ON position</b>				
20–100 A	Black	OHBS2AJ1	1SCA105215R1001	0.07
	Red-yellow	OHYS2AJ1	1SCA105297R1001	0.07

#### Selector handle with metal hasp

<b>IP65 handles, NEMA 1, 3R, 12</b>				
<b>Padlockable with max. 3 padlocks, door interlock in the ON position, defeatable</b>				
20–100 A	Black	OHBS2AJEH	1SCA108230R1001	0.07
<b>Padlockable with max. 3 padlocks, door interlock in the ON position, non-defeatable</b>				
20–100 A	Black	OHBS2AJ1EH	1SCA105217R1001	0.07

Door interlocking in ON position means that the door can not be opened when the handle is in ON position. This can be defeated in IP65 types to allow authorized personnel access for inspection. The padlocked handle is not defeatable.

## Accessories for non-fusible disconnect switches 20–100 A

Ordering information for legend plates for UL 508 and UL 98 enclosure selector handles



OPBS1



OPB2



OPG2



OPS2



OPBS1EN1



OPSS1EN1



OPB2EN1



OPG2EN1



OPS2EN1

### Legend plates for selector handles

Color	Type	Order number	Weight/ unit kg
<b>Plain plates for OH 1_ and OH 3_ handles</b>			
Black	OPBS1	1SCA111519R1001	0.01
Yellow	OPYS1	1SCA111528R1001	0.01
Silver	OPSS1	1SCA111523R1001	0.01
Gray	OPGS1	1SCA111563R1001	0.01
<b>Plain plates for OH 2_ handles</b>			
Black	OPB2	1SCA022353R4110	0.01
Yellow	OPY2	1SCA022353R4200	0.01
Silver	OPS2	1SCA022353R4460	0.01
Gray	OPG2	1SCA022353R4380	0.01
<b>Printed plates for OH 1_ and OH3_ handles. Text: MAIN SWITCH</b>			
Black	OPBS1EN1	1SCA111520R1001	0.01
Yellow	OPYS1EN1	1SCA111530R1001	0.01
Silver	OPSS1EN1	1SCA111525R1001	0.01
Gray	OPGS1EN1	1SCA111526R1001	0.01
<b>Printed plates for OH 2_ handles. Text: MAIN SWITCH</b>			
Black	OPB2EN1	1SCA022400R2070	0.01
Yellow	OPY2EN1	1SCA022400R2740	0.01
Silver	OPS2EN1	1SCA022400R2230	0.01
Gray	OPG2EN1	1SCA022400R2310	0.01

## Accessories for non-fusible switches, 20–100 A

Ordering information for handle knobs — knob shaft through padlockable enclosure switches



OHBS12



OHBS16

### Direct handles for 20–100 A

Switches 3	Knob shaft through padlockable enclosure switches
EOT520N3P_ EOT530N3P_ EOT540N3P_	OHBS12, OHRS12
EOT560N3P_ EOT580N3P_	OHBS14
EOT930N3P_ EOT960N3P_ EOT9100N3P_	OHBS11 <sup>1</sup> , OHBS14

<sup>1</sup> 4-pole configuration switches can be used.

## Accessories for fusible/non-fusible disconnect switches 20–600 A

Ordering information for shafts for UL 508 and UL 98 switches with pistol handles



OXP6X\_



OXP12X\_



OETL-ZX95

### Shaft diameter 6 mm 20–200 A

Shaft length [mm]	Type	Order number	Weight/unit [kg]
57	OXP6X57	1SCA125050R1001	0.01
63	OXP6X63	1SCA111010R1001	0.02
87	OXP6X87	1SCA109421R1001	0.02
90	OXP6X90	1SCA022064R1180	0.03
108	OXP6X108	1SCA125762R1001	0.03
130	OXP6X130	1SCA022057R0570	0.04
150	OXP6X150	1SCA022295R5600	0.05
158	OXP6X158	1SCA122303R1001	0.05
161	OXP6X161	1SCA022067R1760	0.05
170	OXP6X170	1SCA108224R1001	0.05
210	OXP6X210	1SCA022295R6080	0.06
265	OXP6X265	1SCA108225R1001	0.08
290	OXP6X290	1SCA022042R6370	0.08
310	OXP6X310	1SCA022720R5710	0.09
360	OXP6X360	1SCA022042R6530	0.10
400	OXP6X400	1SCA108226R1001	0.12
430	OXP6X430	1SCA022056R6030	0.12
500	OXP6X500	1SCA109416R1001	0.14
700	OXP6X700	1SCA022131R9580	0.19

### Shaft diameter 12 mm 400–600 A

Shaft length [mm]	Type	Order number	Weight/unit [kg]
166	OXP12X166	1SCA022325R7100	0.18
185	OXP12X185	1SCA022325R6710	0.20
220	OXP12X220	1SCA022063R9610	0.24
250	OXP12X250	1SCA022325R6980	0.30
280	OXP12X280	1SCA022137R5140	0.30
325	OXP12X325	1SCA022042R5810	0.36
395	OXP12X395	1SCA022042R5990	0.43
465	OXP12X465	1SCA022042R6020	0.51
535	OXP12X535	1SCA022042R6110	0.59
625	OXP12X625	1SCA022139R0020	0.70

### Shaft extension socket

For extending the shaft

Suitable for shaft diameter [mm]	Type	Order number	Weight/unit [kg]
12	OETL-ZX95	1SCA022083R5620	0.04

Above shaft lengths are standard and cut to length as required by enclosure configuration.

## Accessories for fusible/non-fusible disconnect switches 20–100 A

Ordering information for shafts for UL 508 and UL 98 switches with selector handles



OXS6X\_

### Selector handle 6 mm shafts 20–100 A

Shaft length [mm]	Type	Order number	Weight/unit [kg]
53	OXS6X53	1SCA101641R1001	0.01
57	OXS6X57	1SCA101643R1001	0.02
73	OXS6X73	1SCA101645R1001	0.02
85	OXS6X85	1SCA101647R1001	0.02
95	OXS6X95	1SCA101650R1001	0.03
100	OXS6X100	1SCA101651R1001	0.03
105	OXS6X105	1SCA108043R1001	0.03
109	OXS6X109	1SCA101652R1001	0.03
115	OXS6X115	1SCA101649R1001	0.03
117	OXS6X117	1SCA101648R1001	0.03
120	OXS6X120	1SCA101654R1001	0.04
130	OXS6X130	1SCA101655R1001	0.04
150	OXS6X150	1SCA108250R1001	0.04
160	OXS6X160	1SCA101656R1001	0.05
180	OXS6X180	1SCA101659R1001	0.05
237	OXS6X237	1SCA101658R1001	0.06
250	OXS6X250	1SCA101660R1001	0.06
330	OXS6X330	1SCA101661R1001	0.10
455	OXS6X455	1SCA101662R1001	0.12

Above shaft lengths are standard and cut to length as required by enclosure configuration.

## Accessories for fusible disconnect switches EOS930\_

### Ordering information for auxiliary contacts



MCB-10



OA3G01



OSZ4



OESAZX169

#### Mounting on the side of the switch

Description	Type	Order number	Weight/unit [kg]
<b>Mounting on the side of the switch with auxiliary contact frame OESA-ZX169</b>			
1NO	MCB-10	1SCA022150R5110	0.03
1NC	MCB-01	1SCA022150R5370	0.03

#### Snap-on mounting on the switch, by using a frame OSZ4, IP20

NO contacts are provided with a positive opening feature.

Types \_AU have gold plated contacts for harsh environments and low operating voltages.

1 NO	OA1G10	1SCA022353R4970	0.03
1 NC	OA3G01	1SCA022456R7410	0.03
1 NO	OA1G10AU	1SCA022436R7910	0.03
1 NC	OA3G01AU	1SCA022819R5260	0.03

#### Mounting frames for auxiliary contacts of EOS930\_

Description	Amount of auxiliary contacts [pcs]	Type	Order number	Weight/unit [kg]
<b>Frame for auxiliary contacts OA1G10 and OA3G01 and for fuse monitor OFM_</b>				
Mounting on the left side of the switch	max. 6	OSZ4	1SCA022530R0200	0.06
<b>Frame for MCB- auxiliary contacts. Not suitable for side operated switches</b>				
Mounting on the right side of the switch	max. 6	OESA-ZX169	1SCA022196R9360	0.06

#### Function chart, changeover contacts OA4B1C/EOS930\_

Handle position	Main contacts	Aux./test contacts NO
Test	open	closed
0	open	open
I	closed	closed

## Accessories for fusible disconnect switches EOS960\_...EOS9600\_

### Ordering information for auxiliary contacts



OA1G10, OA3G01

#### Auxiliary contact blocks for EOS960\_...EOS9600\_

Suitable for switches	Description	Protection degree	Type	Order number	Weight/unit [kg]
EOS960_...EOS9600_	1 NO	IP20	OA1G10	1SCA022353R4970	0.03
	1 NC	IP20	OA3G01	1SCA022456R7410	0.03
	1 NO	IP20	OA1G10AU <sup>1</sup>	1SCA022436R7910	0.03
	1 NC	IP20	OA3G01AU <sup>1</sup>	1SCA022819R5260	0.03

<sup>1</sup>Types \_AU have gold plated contacts for harsh environments and low operating voltages.

#### Mounting under the mechanism cover

The “test” contacts operate in ON and OFF positions as well as when the handle is turned to TEST position (45° over the OFF position). The “test indication” contacts operate only when the handle is turned to TEST position. See the function table below. The OA1G10 (NO) or OA3G01 (NC) auxiliary contact blocks can be used as standard auxiliary contacts, “test” or “test indication” contacts. The desired functions are achieved when an auxiliary contact block is installed in a specific place shown in the mounting instruction. To activate the “test” and “test indication” features, a handle with test function is required. See the optional handles, pages 40–44.

#### Function table of EOS960\_...EOS9600\_ auxiliary contacts

Handle position	Main contacts	Aux./test contacts NO	Test indication contacts NO
Test	open	closed	closed
0	open	open	open
I	closed	closed	open

Maximum number of contact blocks, “Aux./test” contacts and “test indication” contacts, see the table below. Standard versions include all except for N3-types, which are equipped with integrated neutral through the mechanism.

#### Maximum number of auxiliary contacts under the mechanism cover

	EOS960_...EOS9200_		EOS9400_...EOS9600_	
	Standard	N3	Standard	N3
Pole version				
Maximum number of contact blocks	4	0	8	4
Aux./test contacts	4	0	4	2
Test indication contacts	2	0	4	2

#### Mounting on the left side of the OS switch fuse:

Maximum 8 auxiliary contact blocks (NO or NC) with the OEA28 module.



OEA28

#### Module for auxiliary contacts for EOS960\_...EOS9600\_

Description	Type	Order number	Weight/unit [kg]
Screw mounting to the left side of the switch	OEA28	1SCA022714R8810	0.04

## Accessories for non-fusible disconnect switches EOT520\_....EOT580\_, EOT930\_....EOT9100\_

Ordering information for auxiliary contacts



OA1G\_

### Auxiliary contact blocks for EOT520\_....EOT580\_, EOT930\_....EOT9100\_, IP20

Contact numbering according to EN 50013. Snap-on mounting to the side of the switch.  $I_{th} = 16$  A, cable cross section max.  $2 \times 2.5$  mm<sup>2</sup>. Early-break type OA1G10. Early-break type auxiliary contacts means that in the switches, the NO auxiliary contacts break before the main contacts open.



OA2G11

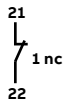
### Auxiliary contact blocks for EOT520\_....EOT580\_, EOT930\_....EOT9100\_, IP20

Suitable for switches	Function	Type	Order number	Weight/ unit kg
<b>Mountable on left side, max. 2 pcs</b>				
20–100 A	1 NC	OA1G01	1SCA022353R4890	0.03
	1 NC	OA1G01AU <sup>1</sup>	1SCA022436R7830	0.03
<b>Mountable on the right side, max. 2 pcs</b>				
20–100 A	1 NO	OA1G10	1SCA022353R4970	0.03
	1 NO	OA1G10AU <sup>1</sup>	1SCA022436R7910	0.03
<b>Mountable on both sides, simultaneous function with the main contacts</b>				
EOT520_....EOT580_: max. 2 NO+2 NC, EOT930_....EOT9100_: max. 4 NO+4 NC <sup>3</sup>				
EOT520_....EOT580_, EOT930_....EOT9100_	1 NO+1 NC	OA2G11 <sup>2</sup>	1SCA022379R8100	0.03

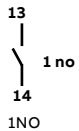
<sup>1</sup>Types \_AU are gold plated for extremely difficult circumstances and low voltages.

<sup>2</sup>Not mountable on the same side as the fourth pole.

<sup>3</sup>Contact numbering: (83) (43) (53) 13      21 (61) (31) (71)  
(84) (44) (54) 14      22 (62) (32) (72)



1NC

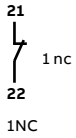
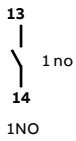


## Accessories for non-fusible disconnect switches EOT9200\_.....EOT9600\_

### Ordering information for auxiliary contacts



OA1G10, OA3G01



OEA28

Video: Auxiliary contacts installation



<https://www.youtube.com/watch?v=wZY428-W5sc&feature=youtu.be>

#### Auxiliary contact blocks for EOT9200\_.....EOT9600\_, IP20

Contact numbering according to EN 50013. Early-break type auxiliary contacts means that in the switches, the NO auxiliary contacts break before the main contacts open.

In types with auxiliary contacts mountable under the mechanism cover, the "test" contacts operate in ON and OFF positions as well as when the handle is turned to TEST position (45° over the OFF position). The "test indication" contacts operate only when the handle is turned to TEST position. The OA1G10 (NO) or OA3G01 (NC) auxiliary contact blocks can be used as standard auxiliary contacts, "test" or "test indication" contacts. The desired functions are achieved when an auxiliary contact block is installed in a specific place (see mounting instructions). To activate the "test" and "test indication" features, a handle with test function is required. The test contacts can be used as standard auxiliary contacts as well.

#### Auxiliary contact blocks for EOT9200\_.....EOT9600\_, IP20

Suitable for switches	Function	Type	Order number	Weight/unit kg
<b>Mounting on the left side of the switch</b>				
Max. 8 auxiliary contact blocks with the OEA28 module				
EOT9200_	1 NO	OA1G10	1SCA022353R4970	0.03
	1 NO	OA1G10AU <sup>1</sup>	1SCA022436R7910	0.03
	1 NC	OA3G01	1SCA022456R7410	0.03
	1 NC	OA3G01AU <sup>1</sup>	1SCA022819R5260	0.03
<b>Mounting under the mechanism cover</b>				
Max. 4 test contacts or 2 test contacts + 2 test indication contacts				
EOT9200_	1 NO, early break	OA1G10	1SCA022353R4970	0.03
	1 NO, early break	OA1G10AU <sup>1</sup>	1SCA022436R7910	0.03
	1 NC, early make	OA3G01	1SCA022456R7410	0.03
	1 NC, early make	OA3G01AU <sup>1</sup>	1SCA022819R5260	0.03
Max. 4 test contacts + 4 test indication contacts				
EOT9400_.....EOT9600_	1 NO, early break	OA1G10	1SCA022353R4970	0.03
	1 NO, early break	OA1G10AU <sup>1</sup>	1SCA022436R7910	0.03
	1 NC, early make	OA3G01	1SCA022456R7410	0.03
	1 NC, early make	OA3G01AU <sup>1</sup>	1SCA022819R5260	0.03

<sup>1</sup>Types \_AU are gold plated for extremely difficult circumstances and low voltages.

## Accessories for fusible disconnect switches EOS960\_....EOS9600\_

Ordering information for fourth poles



OSP200J

### Fourth poles

Snap-on mounting to the side of the switch.

### Fourth poles

Suitable for 3-pole switches	Mounting side	Type	Order number	Weight/unit [kg]
<b>Fusible 4 poles</b>				
EOS9200_	Left/right	OSP200J	1SCA022735R9000	1.20
EOS9400_	Left/right	OSP400J	1SCA151737R1001	2.00
EOS9600_	Left/right	OSP600J	1SCA151731R1001	4.20
<b>Switched 4 poles</b>				
EOS9100_	Left/right	OSP160GN	1SCA114770R1001	0.45
EOS9200_	Left/right	OSP200N	1SCA022735R8700	1.20
EOS9400_	Left/right	OSP400N	1SCA022770R3490	1.20
EOS9600_	Left/right	OSP800N	1SCA100432R1001	4.40



OSP160GN



OSP250N



OSP800N

## Accessories for non-fusible disconnect switches EOT520\_....EOT580\_, EOT930\_....EOT9100\_

Ordering information for fourth poles



OTPS60FP

### Fourth poles, simultaneous function with the main contacts EOT520\_....EOT580\_, EOT930\_....EOT9100\_

Mountable on the side of the 3-pole switch frame.

### Fourth poles, simultaneous function with the main contacts EOT520\_....EOT580\_, EOT930\_....EOT9100\_

Suitable for switches	Type	Order number	Weight/ unit kg
<b>For DIN rail and base mounted switches</b>			
EOT520_...EOT540_(3-pole and 6-pole)	OTPS40FPN1 <sup>1</sup>	1SCA105001R1001	0.03
	OTPS40FPN2 <sup>2</sup>	1SCA105000R1001	0.06
EOT560_...EOT580_(3-pole and 6-pole)	OTPS80FP	1SCA105461R1001	0.14
EOT930_ and EOT960_(3-pole and 6-pole)	OTPS60FP	1SCA111009R1001	0.30
EOT9100_(3-pole and 6-pole)	OTPS125FP	1SCA105099R1001	0.30



OTPL80FP

### Fourth poles, late-break and early-make

Mountable on the side of the switch. There is a time difference between the main poles and the fourth pole.

### Fourth poles, late-break and early-make

Suitable for switches	Type	Order number	Weight/ unit kg
<b>For DIN rail and base mounted switches</b>			
EOT520_...EOT540_(3-pole and 6-pole)	OTPL40FP	1SCA105717R1001	0.03
EOT560_...EOT580_(3-pole and 6-pole)	OTPL80FP	1SCA105452R1001	0.06
EOT930_ and EOT960_(3-pole and 6-pole)	OTPL60FP	1SCA111004R1001	0.06
EOT9100_(3-pole and 6-pole)	OTPL125FP	1SCA105090R1001	0.14

<sup>1</sup>N1=On the left side of the switch  
<sup>2</sup>N2=On the right side of the switch

## Accessories for non-fusible disconnect switches EOT520\_....EOT580\_, EOT930\_....EOT9100\_

Ordering information for earth terminals and phase separators



OTPE40FP



OTPE125FP

### Protective earth

Mountable on the side of the switch

### Protective earth

Suitable for switches	Type	Order number	Weight/ unit kg
<b>For OT switch-disconnectors</b>			
EOT520_..... EOT540_ (3, 4, 6 pole)	OTPE40FP	1SCA104995R1001	0.03
EOT560_..... EOT580_ (3, 4, 6 pole)	OTPE80FP	1SCA105448R1001	0.06
EOT930_, EOT960_ (3, 4, 6 pole)	OTPE60FP	1SCA111016R1001	0.14
EOT9100_ (3, 4, 6 pole)	OTPE125FP	1SCA105128R1001	0.14

### Phase separators

Gray plastic plate for maintaining 1 in./25.44 mm clearance between the phases without terminal shrouds. Snap-on mounting.

### Phase separators

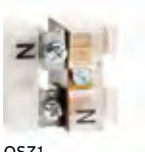
Suitable for switches	Type	Order number	Units/ type pcs	Weight/ type kg
EOT9600_, 3- and 4-pole	OTB800/6	1SCA022821R7760	6	0.35



OTB\_

## Accessories for fusible disconnect switches EOS930\_.....EOS9600\_

Ordering information for neutral links, solid links and phase barriers



OSZ1

### Neutral links

#### For OS Mini OS30F

Detachable, mounting onto base plate or DIN rail

#### For EOS930\_

Max. wire	H/W/D [mm]	Mounting holes	Type	Order number	Weight/unit [kg]
16 mm <sup>2</sup>	39/41/40	ø 4.2, distance 35	OESA-ZX171	1SCA022197R2580	0.06

#### For EOS960\_, EOS9100\_

Detachable, mounting onto the base plate or DIN rail

#### For EOS960\_, EOS9100\_

Max. wire	H/W/D [mm]	Mounting holes	Type	Order number	Weight/unit [kg]
16 mm <sup>2</sup> Cu	39/41/40	ø 4.2, distance 32	OSZ1	1SCA022481R3710	0.06
35 mm <sup>2</sup> Cu	39/44/45	ø 4.2, distance 35	OSZ2	1SCA022481R3800	0.07

#### For EOS960\_.....EOS9600\_

Mounting with screws (included) onto either side of the switch or on the base plate according the table below.

#### For EOS960\_.....EOS9600\_

Suitable for switches	Type	Order number	Weight/unit [kg]
<b>Detachable, mounting on the switch</b>			
EOS9200_	OXN250	1SCA022752R9950	0.40
<b>Detachable, mounting on the base plate</b>			
EOS960_.....EOS9200_	OXN250	1SCA022752R9950	0.40
EOS9400_	OXN400	1SCA022770R3060	0.70
EOS9600_	OXN800S	1SCA022831R4880	1.20

### Solid links

Suitable for switches	Type	Order number	Weight/unit [kg]
EOS9200_	OEZNL1	1SCA022723R7400	0.19
EOS9600_	OEZNL8	1SCA113998R1001	0.58

### Phase barriers

3-pole switch fuses need 4 barriers and 4-pole switch fuses need 6 barriers for full protection. Cutting width of the phase barrier 55 mm.

#### Phase barriers

Suitable for switches	No. of poles	Height h[mm]	Type	Order number	Units/type [pcs]
EOS9100_, EOS9200_	3	-	OSB160/4	1SCA131820R1001	4
EOS9100_, EOS9200_	3	-	OSB160/6	1SCA131821R1001	6
EOS9400_	3	200	KT7PBH-3	1SDA054972R1	4
EOS9400_	4	200	KT7PBH-4	1SDA054973R1	6



OXN250



OXN400



OXN800S



KT7PBH

## Accessories for non-fusible disconnect switches EOT520\_....EOT580\_, EOT930\_.....EOT9600\_

Ordering information for neutrals



OTPD40FP



OTPD80FP



OXN250



OXN400



OXN800S

### Fixed neutral

Mountable on the side of the switch

—

#### Fixed neutral

Suitable for switches	Type	Order number	Weight/ unit kg
<b>For base mounted switches</b>			
EOT520_....EOT540 (3 and 6 pole)	OTPN40FP	1SCA104997R1001	0.03
EOT560_, EOT580 (3 and 6 pole)	OTPN80FP	1SCA105457R1001	0.06
EOT930_, EOT960 (3 and 6 pole)	OTPN60FP	1SCA117606R1001	0.14
EOT9100_ (3 and 6 pole)	OTPN125FP	1SCA105094R1001	0.14

—

#### Neutral pole

Suitable for switches UL, including phase barrier	Type	Order number	Weight/ unit kg
EOT9200_	OTZ200U	1SCA151734R1001	0.35
EOT9400_	OTZ400U	1SCA151735R1001	0.59
EOT9600_	OTZ600U	1SCA151736R1001	1.70

### Detachable neutral

Mountable on the side of the switch

—

#### Detachable neutral

Suitable for switches	Type	Order number	Weight/ unit kg
<b>For DIN rail and base mounted switches</b>			
EOT520_....EOT540 (3 and 6 pole)	OTPD40FP	1SCA104994R1001	0.03
EOT560_, EOT580 (3 and 6 pole)	OTPD80FP	1SCA105445R1001	0.06
EOT930_, EOT960 (3 and 6 pole)	OTPD60FP	1SCA111014R1001	0.14
EOT9100_ (3 and 6 pole)	OTPD125FP	1SCA105083R1001	0.14

### Neutral links

Detachable, mountable separately to the base plate

—

#### Neutral links

Suitable for switches	$I_{th}$ A	Type	Order number	Weight/ unit kg
EOT9200_	250	OXN250	1SCA022752R9950	0.26
EOT9400_	400	OXN400	1SCA022770R3060	0.70
EOT9600_	800	OXN800T	1SCA022829R0840	0.96

## Accessories for fusible disconnect switches EOS9100\_.....EOS9600\_

Ordering information for terminal shrouds



OSS200G1L



OSS200G1S



OSS400G1L



OSS800G1L



OSS800G1S



OSS250G1SH

Terminal shrouds

Suitable for switches	Description	Type	Order number	Units/ type [pcs]	Weight/ unit [kg]
<b>Pack of single pole terminal shrouds</b>					
<b>Snap-on mounting, gray plastic, IP 3X from front. Transparent shrouds available on request.</b>					
EOS9100_	Long type	OSS160GG1L/3	1SCA114764R1001	3	0.08
EOS9100_	Short type	OSS160GG1S/3	1SCA114766R1001	3	0.05
EOS9100_	Long type	OSS160GG1L/4	1SCA114765R1001	4	0.11
EOS9100_	Short type	OSS160GG1S/4	1SCA114767R1001	4	0.07
EOS9200_	Long type	OSS200G1L/3	1SCA022731R8910	3	0.09
EOS9200_	Short type	OSS200G1S/3	1SCA022732R0130	3	0.06
EOS9200_	Long type	OSS200G1L/4	1SCA022731R9040	4	0.12
EOS9200_	Short type	OSS200G1S/4	1SCA022732R0050	4	0.08
EOS9400_	Long type	OSS400G1L/3	1SCA022776R6650	3	0.18
EOS9400_	Short type	OSS400G1S/3	1SCA022776R6900	3	0.10
EOS9400_	Long type	OSS400G1L/4	1SCA022776R6730	4	0.25
EOS9400_	Short type	OSS400G1S/4	1SCA022776R7030	4	0.15
EOS9600_	Long type	OSS800G1L/3	1SCA022776R7200	3	0.53
EOS9600_	Short type	OSS800G1S/3	1SCA022776R7540	3	0.21
EOS9600_	Long type	OSS800G1L/4	1SCA022776R7380	4	0.70
EOS9600_	Short type	OSS800G1S/4	1SCA022776R7460	4	0.28

## Accessories for non-fusible disconnect switches EOT520\_.....EOT580, EOT930\_.....EOT9100\_

Ordering information for terminal shrouds



OTS40T3



OTS63T3



OTS125T3



OTS125T3P



OTS63T1



OTS125T1



OTS40T1



OTS125T1P

Terminal shrouds for OT switches, snap-on mounting, transparent IP2X

Suitable for switches	Type	Order number	Weight/ unit kg
<b>For 3-pole switches</b>			
EOT520_.....EOT540_	OTS40T3	1SCA105317R1001	0.01
EOT560_, EOT580_	OTS63T3	1SCA022353R6750	0.01
EOT930_.....EOT9100_	OTS125T3	1SCA022379R9680	0.01
<b>For 3-pole switches, suitable also when provided with terminal clamps OZXL1 or OZXT1</b>			
EOT930_.....EOT9100_	OTS125T3P	1SCA022491R9890	0.01
<b>For 1- to 4-pole OT switches, shroud for single pole and for fourth pole</b>			
OTP_40F_	OTS40T1	1SCA105314R1001	0.01
OTP_80F_	OTS63T1	1SCA022353R6910	0.01
OTP_125F_	OTS125T1	1SCA022379R9760	0.01
<b>For 1- to 4-pole OT switches with terminal clamps OZXL1 or OZXT1, shroud for single pole and for fourth pole</b>			
EOT930_.....EOT9100_	OTS125T1P	1SCA022491R9970	0.01

## Accessories for non-fusible disconnect switches EOT9200\_....EOT9600\_

Ordering information for terminal shrouds



OTS400G1S



OTS800G1S



OTS1600G1L



OTS1600G1S

### Terminal shrouds for OT switches, snap-on mounting, gray

Pack of single pole shrouds, IP3X. Transparent shrouds available on request.

#### Terminal shrouds for OT switches, snap-on mounting, gray

Suitable for switches	Dimension Height mm	Type	Order number	Units/ type pcs	Weight/ type kg
<b>For 3-pole switches</b>					
EOT9200_	83	OTS250G1L/3 <sup>1</sup>	1SCA022731R8150	3	0.09
	35.5	OTS250G1S/3 <sup>1</sup>	1SCA022731R8310	3	0.06
EOT9400_	51.5	OTS400G1S/3 <sup>1</sup>	1SCA022736R9060	3	0.15
	126	OTS400G1L/3 <sup>1</sup>	1SCA022736R8840	3	0.09
EOT9600_	138.6	OTS800G1L/3 <sup>1</sup>	1SCA022776R7890	3	0.32
	61.5	OTS800G1S/3 <sup>1</sup>	1SCA022776R8190	3	0.17
<b>For 4-pole OT switches</b>					
EOT9200_	83	OTS250G1L/4 <sup>1</sup>	1SCA022731R8230	4	0.12
	35.5	OTS250G1S/4 <sup>1</sup>	1SCA022731R8400	4	0.08
EOT9400_	51.5	OTS400G1S/4 <sup>1</sup>	1SCA022736R9650	4	0.20
	126	OTS400G1L/4 <sup>1</sup>	1SCA022736R9490	4	0.12
EOT9600_	138.6	OTS800G1L/4 <sup>1</sup>	1SCA022776R7970	4	0.42
	61.5	OTS800G1S/4 <sup>1</sup>	1SCA022776R8270	4	0.26

<sup>1</sup>L= long type, S= short type

## Accessories for fusible disconnect switches EOS960\_.....EOS9600\_

Ordering information for terminal clamp sets



OZXT1

### Terminal clamp sets

Suitable for switches	Cable cross section [mm <sup>2</sup> ]	Type	Order number	Units/type [pcs]	Weight/unit [kg]
<b>Insulated versions</b>					
EOS960_	16...50 Al, 2.5...50 Cu	OZXT1	1SCA022469R6310	3	0.05



OZXB8

### OZXB-type Al/Cu connectors made of stainless steel

Suitable for switches	Cable cross section [mm <sup>2</sup> ]	Suitable shroud	Type	Order number	Units/type [pcs]	Weight/unit [kg]
EOS9100_	10...70	OSS160G_	OZXB1L	1SCA022169R2030	3	0.15
EOS9100_	95...185	OSS160G_	OZXB8	1SCA022744R1510	3	0.50
EOS9200_	10...70	OSS200_L	OZXB1L	1SCA022169R2030	3	0.15
EOS9200_	25...120	OZXB2K	OZXB2	1SCA022119R7610	3	0.34
EOS9200_	25...120	OZXB2K	OZXB2L	1SCA022158R7750	3	0.42
EOS9200_	95...185	OSS200_L	OZXB8	1SCA022744R1510	3	0.50
EOS9200_	95...240	OSS200_L	OZXB9	1SCA022750R3210	3	0.50
EOS9400_	25...120	OSS400_L	OZXB2L	1SCA022158R7750	3	0.42
EOS9400_	95...185	OZXB3K	OZXB3	1SCA022136R8100	3	1.30
EOS9400_	2x(95...185)	OZXB3K	OZXB4	1SCA022137R4760	3	1.70
EOS9400_	120...300	OZXB4K	OZXB5	1SCA022137R2470	3	2.30
EOS9400_	2x(120...300)	OZXB4K	OZXB6	1SCA022137R4920	3	3.03
EOS9400_	120...240	OZXB5K	OZXB7	1SCA022185R0040	3	1.00
EOS9400_	95...185	OSS400_L	OZXB8	1SCA022744R1510	3	0.50
EOS9400_	95...240	OSS400_L	OZXB9	1SCA022750R3210	3	0.50
EOS9600_	95...185	OSS800_L	OZXB3	1SCA022136R8100	3	1.30
EOS9600_	2x(95...185)	OSS800_L	OZXB4	1SCA022137R2470	3	1.70
EOS9600_	120...300	OSS800_L	OZXB5	1SCA022137R2470	3	2.30
EOS9600_	2x(120...300)	OSS800_L	OZXB6	1SCA022137R4920	3	3.03
EOS9600_	120...240	OSS800_L	OZXB7L	1SCA022185R7130	3	1.20
EOS9600_	95...185	OSS800_L	OZXB8	1SCA022744R1510	3	0.50
EOS9600_	95...240	OSS800_L	OZXB9	1SCA022750R3210	3	0.50



OZXB2L

## Accessories for non-fusible disconnect switches EOT520\_.....EOT580\_, EOT930\_...EOT9600\_

Ordering information for terminal clamps



Terminal clamp sets for Al and Cu cables, insulated versions

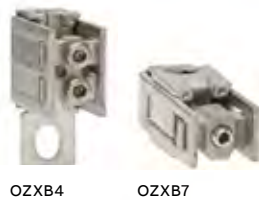
Suitable for switches	Cable cross section mm <sup>2</sup>	Type	Order number	Weight/unit kg
EOT560_, EOT580_	16...50 Al, 2.5...50 Cu	OZXT1 <sup>1</sup>	1SCA022469R6310	0.05
EOT9100_	16...120 Al/Cu	OZXT2	1SCA022620R7200	0.21
EOT9100_	2x(16...50) Al/Cu	OZXT3	1SCA022639R0720	0.21

<sup>1</sup>I<sub>n</sub>=63 A



Terminal clamp sets for Al and Cu cables

Suitable for switches	Cable cross section mm <sup>2</sup>	Suitable shroud type	Terminal clamp type	Order number	Units/type pcs	Weight/unit kg
<b>OZXB type Al/Cu connectors made of stainless steel</b>						
EOT9200_	10...70	OTS250_L	OZXB1L	1SCA022169R2030	3	0.15
	25...120	OZXB2K	OZXB2	1SCA022119R7610	3	0.34
	25...120	OZXB2K	OZXB2L	1SCA022158R7750	3	0.43
	95...185	OTS250_L	OZXB8	1SCA022744R1510	3	0.50
	95...240	OTS250_L	OZXB9	1SCA022750R3210	3	0.50
EOT9400_	25...120	OZXB2K	OZXB2L	1SCA022158R7750	3	0.43
	95...185	OZXB3K	OZXB3	1SCA022136R8100	3	1.28
	2x(95...185)	OZXB3K	OZXB4	1SCA022137R4760	3	1.71
	120...240	OZXB5K	OZXB7	1SCA022185R0040	3	1.00
	120...240	OZXB5K	OZXB7L	1SCA022185R7130	3	1.20
	95...185	OTS400_L	OZXB8	1SCA022744R1510	3	0.50
	95...240	OTS400_L	OZXB9	1SCA022750R3210	3	0.50
EOT9600_	120...300	OZXB4K	OZXB5	1SCA022137R2470	3	2.22
	2x(120...300)	OZXB4K	OZXB6	1SCA022137R4920	3	3.03



## Accessories for fusible/non-fusible disconnect switches 100...600 A

Ordering information for terminal lugs



OZXA-200



OZXA-400



OZXA-800

### Terminal lug kits from Al and Cu cables for UL/CSA disconnect switches

One kit includes 6 pcs.

### Terminal lug kits from Al- and Cu-cables for UL/CSA disconnect switches

Suitable for switches	Cable size	Type	Tightening torque [lb. in/Nm]	Weight/unit [kg]	Weight/unit [lb]
100 A (fusible only)	AWG 14–2/0	OZXA-24	120/13.6	0.21	0.45
200 A (fusible and non-fusible)	AWG 4–300 MCM	OZXA-200	275/31.1	0.04	0.09
400 A (fusible and non-fusible)	AWG 2–600 MCM	OZXA-400	375/42.4	0.05	0.12
600 A (fusible and non-fusible)	2 X AWG 2–600 MCM	OZXA-800	500/56.5	0.21	0.45

### Technical data for terminal lugs

Description	
UL approval file	E60207
Temperature rating, °C	75
Wire tightening type of tool	Allen (Hex) wrench
Lug mounting	Bolt and nut mounting
AWG (American Wire Gauge) wire class	B.C

## Accessories for fusible disconnect switches EOS930\_....EOS9600\_

Ordering information for electronic fuse monitor



OFM260

### Electronic fuse monitor

Includes the auxiliary contacts 1 NO + 1 NC. More information, see brochure OFM\_OFS20GB.

#### EOS930\_

Mounting onto the left side of OS Mini (with a frame OSZ4) or on mounting plate.

#### EOS930\_

Rated voltage [V]	Approvals	Type	Order number	Weight/unit [kg]
120...240/AC	IEC, UL and CSA	OFM240	1SCA022579R1340	0.2
120...260/AC	IEC	OFM260	1SCA022459R8560	0.14
380...600/AC	IEC, UL and CSA	OFM600	1SCA022579R1260	0.2
380...690/AC	IEC	OFM690	1SCA022459R8480	0.14



OFS260

#### EOS960\_.....EOS9600\_

Mounting onto the left side of fusible switch, on DIN rail or on mounting plate.

#### EOS960\_.....EOS9600\_

Rated voltage [V]	Approvals	Type	Order number	Weight/unit [kg]
100...260/AC	IEC	OFS260	1SCA022716R0180	0.16
380...690/AC	IEC	OFS690	1SCA022715R9920	0.16
45...140/DC	IEC	OFD110EA	1SCA121775R1001	0.155
135...550/DC	IEC	OFD500EA	1SCA121776R1001	0.155



OFD500EA



OFMZ2



OSZ4

## Accessories for fusible disconnect switches EOS960\_...EOS9600\_

Ordering information for cam attachment and interlocks



OSZT1A

### Mechanism interlock kits and Electrical interlocks

EOS960\_...EOS9600\_ fusible switches can be interlocked in the OFF position using padlocks and by using a mechanical interlock kit mounted on the mechanism. The diameter of the lock bail can be max. 8 mm.

Note: The shaft must go through the interlock into the switch mechanism.

### Mechanism interlock kits and Electrical interlocks



OSZT2A

Suitable for switches	Type	Order number	Weight/unit [kg]
<b>Interlocking in the OFF position</b>			
EOS960_, EOS9100_	OTZT1A	1SCA106522R1001	0.21
EOS9200_	OSZT1A	1SCA106532R1001	0.32
EOS9400_	OSZT2A	1SCA106534R1001	0.75
EOS9600_	OSZT3A	1SCA106535R1001	1.20
<b>Interlocking in the OFF and ON positions</b>			
EOS960_, EOS9100_	OTZT1L	1SCA106527R1001	0.21
EOS9200_	OSZT1L	1SCA106538R1001	0.32
EOS9400_	OSZT2L	1SCA106539R1001	0.75
EOS9600_	OSZT3L	1SCA106540R1001	1.20



OETLZW5

### Cam attachment

Cam attachment for Castell, Lowe & Fletcher and Ronis interlock. Lock, handle and shaft are not included. Mounting on OXP shaft working together with external OH door handle.

### Cam attachment

Suitable for switches	Type	Order number	Weight/unit [kg]
EOS9400_, EOS9600_	OETL-ZW5	1SCA022052R3900	0.14

## Accessories for non-fusible disconnect switches EOT9200\_....EOT9600\_

Ordering information for mechanical interlocks



OTZT1A



OTZT2A



OTZT3A

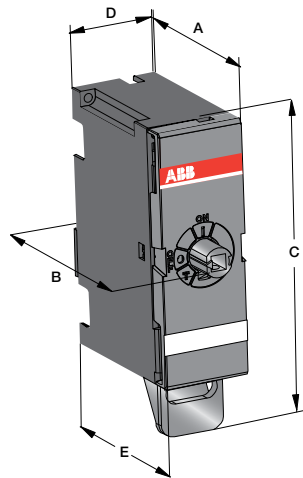
### Mechanism interlock kits and electrical interlocks

EOT9200\_....EOT9600\_ switch-disconnectors can be interlocked in the OFF position using padlocks or a mechanical interlock kit mounted on the mechanism. The diameter of the lock bail can be max. 8 mm.

### Mechanism interlock kits and electrical interlocks

Suitable for switches	Type	Order number	Weight/ unit kg
<b>Interlocking in the OFF position</b>			
EOT9200_	OTZT1A	1SCA106522R1001	0.21
EOT9400_	OTZT2A	1SCA106523R1001	0.57
EOT9600_	OTZT3A	1SCA106525R1001	0.75
<b>Interlocking in the OFF and ON positions</b>			
EOT9200_	OTZT1L	1SCA106527R1001	0.21
EOT9400_	OTZT2L	1SCA106529R1001	0.57
EOT9600_	OTZT3L	1SCA106530R1001	0.75

### Electrical and mechanical interlock OTZT\_



	OTZT1_	OTZT2_	OTZT3_	OTZT4_
	mm	mm	mm	mm
<b>A</b>	69	81	86	88
<b>B</b>	82	102	110	110
<b>C</b>	122	152	201	258
<b>D</b>	35	52	65	84
<b>E</b>	73	91	98	95

M00350/OTZT1-4\_ A

## Accessories for fusible disconnect switches EOS960\_...EOS9600\_

Ordering information for coils and mounting accessories



PDAL2-230AC50Hz

### Coils

By installing a coil inside the housing of the interlock kit, the switch can be interlocked electrically in the OFF position or both in the OFF and ON positions. The electrical interlock works using the “closed circuit principle,” meaning that when the control voltage is not connected to the coil, the switches provided with A-type interlocks cannot be turned to the ON position and switches with L-type interlocks cannot be turned to the ON or OFF positions.

—

### Coils

Suitable for switches	Type	Order number	Weight/unit [kg]
<b>AC coils</b>			
24 V AC, 60 Hz	PDAL2/24AC60Hz	1SCA111350R1001	0.15
110 V AC, 50 Hz	PDAL2/110AC50Hz	1SCA106543R1001	0.15
110 V AC, 60 Hz	PDAL2/110AC60Hz	1SCA107100R1001	0.15
120 V AC, 60 Hz	PDAL2/120AC60Hz	1SCA111353R1001	0.15
208 V AC, 60 Hz	PDAL2/208AC60Hz	1SCA107101R1001	0.15
230 V AC, 50 Hz	PDAL2/230AC50Hz	1SCA107102R1001	0.15
240 V AC, 60 Hz	PDAL2/240AC60Hz	1SCA111356R1001	0.15
<b>DC coils</b>			
24 V DC	PDAL2/24DC	1SCA106542R1001	0.15
48 V DC	PDAL2/48DC	1SCA107103R1001	0.15
60 V DC	PDAL2/60DC	1SCA107104R1001	0.15
110 V DC	PDAL2/110DC	1SCA107105R1001	0.15
125 V DC	PDAL2/125DC	1SCA111338R1001	0.15
220 V DC	PDAL2/220DC	1SCA112503R1001	0.15
<b>Technical data for the coil</b>			
Operating voltage	-	U=0.8...1.1 x Un	-
Operating ambient temperature	-	-40° C...65° C	-
Power consumption	with AC	6.5 W	-
-	with DC	9 VA	-

### Mounting accessories: DIN-rail mounting kit

For mounting a switch fuse into 35 mm DIN rail

—

### Mounting accessories: DIN-rail mounting kit

Suitable for switches	Type	Order number	Weight/unit [kg]
EOS930_...EOS9100_	OSGZD1	1SCA115688R1001	0.20

## Accessories for non-fusible disconnect switches EOT9200\_....EOT9600\_

Ordering information for electrical interlocks



PDAL2

### Coils for OTZT\_ electrical interlocks

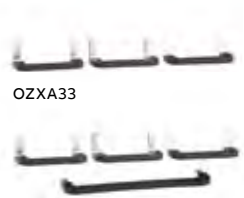
By installing a coil inside the housing of the interlock kit, the switch can be interlocked electrically in the OFF position or both in the OFF and ON positions. The electrical interlock works using the “closed circuit principle,” meaning that when the control voltage is not connected to the coil, the switches provided with A-type interlocks cannot be turned to the ON position and switches with L-type interlocks cannot be turned to the ON or OFF positions.

### Coils for OTZT\_ electrical interlocks

Suitable for switches	Type	Order number	Weight/ unit kg
<b>AC coils</b>			
110 V AC, 50 Hz	PDAL2/110AC50Hz	1SCA106543R1001	0.15
110 V AC, 60 Hz	PDAL2/110AC60Hz	1SCA107100R1001	0.15
120 V AC, 60 Hz	PDAL2/120AC60Hz	1SCA111353R1001	0.15
208 V AC, 60 Hz	PDAL2/208AC60Hz	1SCA107101R1001	0.15
230 V AC, 50 Hz	PDAL2/230AC50Hz	1SCA107102R1001	0.15
240 V AC, 60 Hz	PDAL2/240AC60Hz	1SCA111356R1001	0.15
<b>DC coils</b>			
24 V DC	PDAL2/24DC	1SCA106542R1001	0.15
48 V DC	PDAL2/48DC	1SCA107103R1001	0.15
110 V DC	PDAL2/110DC	1SCA107105R1001	0.15
125 V DC	PDAL2/125DC	1SCA111338R1001	0.15
220 V DC	PDAL2/220DC	1SCA112503R1001	0.15
<b>Technical data for the coil</b>			
Operating voltage	U = 0.8...1.1 x Un		
Operating ambient temperature	-40° C...+65° C		
Power consumption	with AC 6.5 W with DC 9 VA		

## Accessories for changeover switches

Ordering information for changeover switch accessories



OZXA33



OZXA32



OZXA38



OZXA39



OTZC13



OTZC14



OTZC23



OTZC24



OTZC33



OTZC34



OTZR\_

### Parallel connection kits for changeover switches

For switches	Number of poles	Max. cable size mm <sup>2</sup>	Type	Order number	Weight/unit kg
--------------	-----------------	---------------------------------	------	--------------	----------------

### Connection bars

Finger protected connection bars for parallel connection of incoming or outgoing terminals. The bars accept additional cables, the maximum size is stated below.

### Connection bars

EOT520_..... EOT540 (3P changeover)		6 (fine stranded), 10 (stranded)	OZXA33	1SCA022685R0310	0.02
EOT560_ EOT580_ (3P changeover)		25	OZXA38	1SCA022785R2140	0.06
EOT9100_ (3P changeover)		50	OZXA40	1SCA022790R3910	0.16

### Bridging bars

The bridging bars provide a connection link either on the incoming or outgoing side of the changeover switch.

### Bridging bars

EOT9200_	3 pole		OTZC13	1SCA022767R6910	0.60
	4 pole		OTZC14	1SCA022767R7040	0.80
EOT9400_	3 pole		OTZC23	1SCA022767R7120	0.60
	4 pole		OTZC24	1SCA022767R7210	0.80
EOT9600_	3 pole		OTZC33	1SCA022785R7020	1.00
	4 pole		OTZC34	1SCA022785R7110	1.30

### Reversing bars

A reversing switch can be built up by using phase sequence bars in two phases. The kit includes two phase sequence conversion bars. The missing bridging bars must be ordered separately. For example 3-pole switches: one 4-pole standard bridging bar kit is required (one bar for the reversing side, three bars for the other side).

### Reversing bars

EOT9200_ (3P changeover)			OTZR1	1SCA100352R1001	0.3
EOT9400_ (3P changeover)			OTZR2	1SCA104647R1001	0.3
EOT9600_ (3P changeover)			OTZR3	1SCA100355R1001	0.4

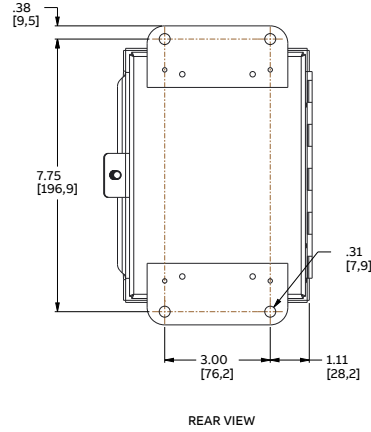
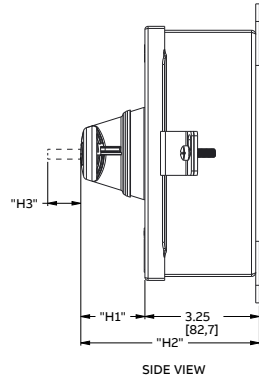
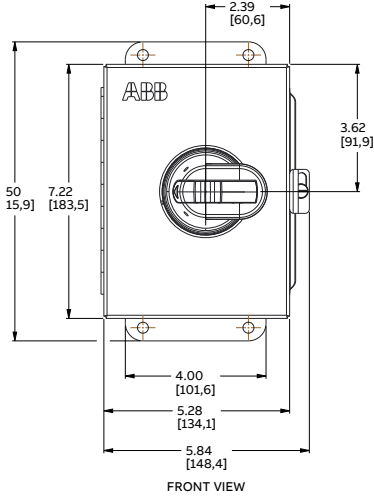
# Enclosed Rotary Switches EOT520, EOT530, EOT540

3-pole UL 508, non-fused

Dimensions

**NEMA 3R/12 metal enclosure**

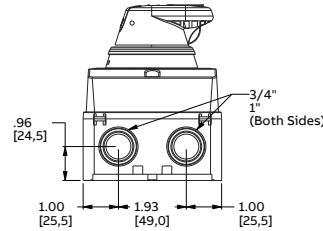
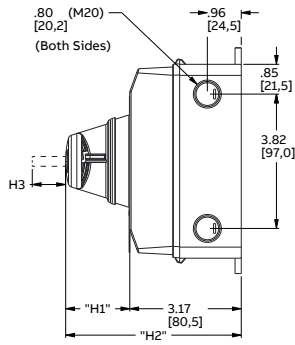
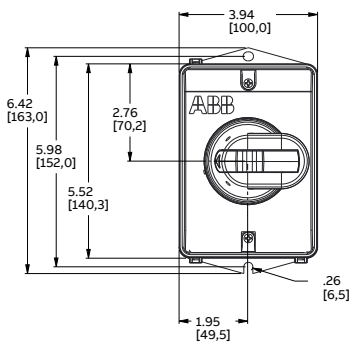
**NEMA 4/4X stainless steel enclosure**



EOT520, EOT530, EOT540

	OH - SELECTOR	OH-PISTOL PLASTIC	OH-PISTOL METAL
"H1"	1.34 [34.0]	1.77 [45.0]	2.01 [51.0]
"H2"	4.59 [116.6]	5.02 [127.5]	5.26 [133.6]
"H3"	0.75 [19.1]	1.42 [36.6]	1.42 [36.6]

**NEMA 4/4X plastic enclosure**



EOT520, EOT530, EOT540

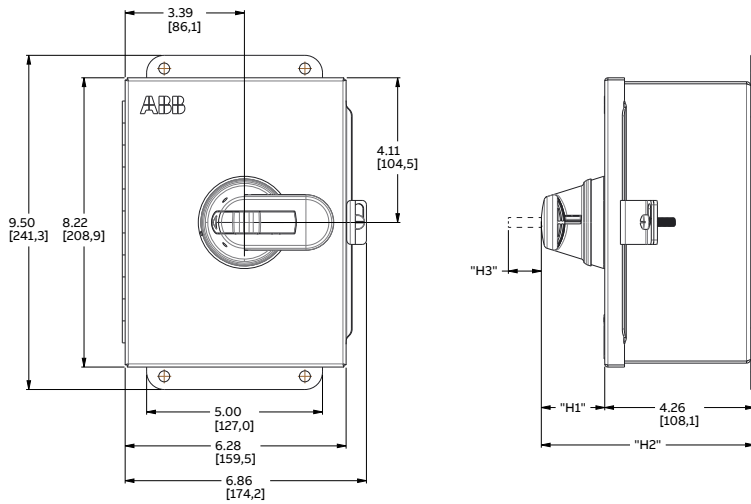
	OH-SELECTOR	OH-PISTOL PLASTIC
"H1"	1.36 [34.5]	1.77 [45.0]
"H2"	4.53 [115.1]	4.94 [125.5]
"H3"	0.75 [19.1]	1.42 [36.6]

## Enclosed Rotary Switches EOT560, EOT580

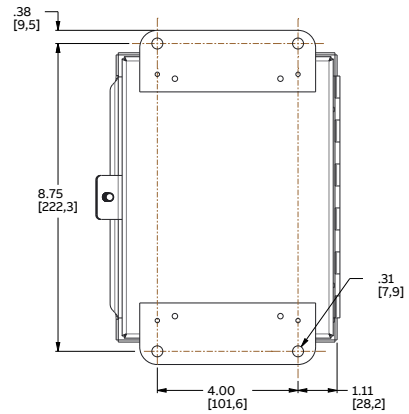
3-pole UL 508, non-fused  
Dimensions

**NEMA 3R/12 metal enclosure**

**NEMA 4/4X stainless steel enclosure**



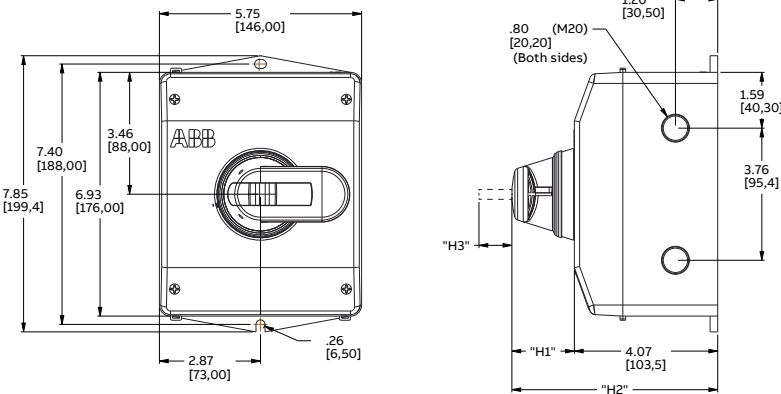
EOT560, EOT580



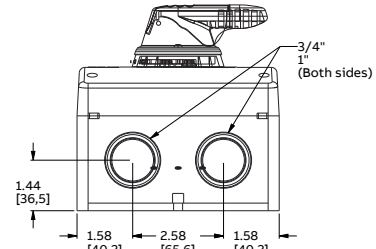
	OH - SELECTOR	OH-PISTOL PLASTIC	OH-PISTOL METAL
"H1"	1.34 [34.0]	1.77 [45.0]	2.01 [51.0]
"H2"	5.59 [142]	6.02 [153]	6.26 [159]
"H3"	0.75 [19.1]	1.42 [36.6]	1.42 [36.6]

All Dimensions are in In [mm]

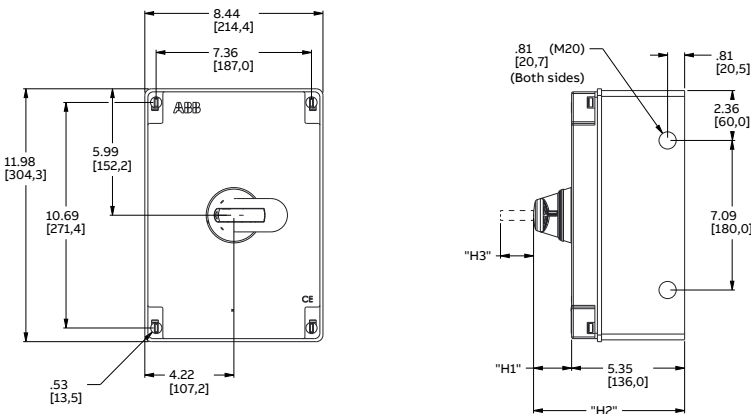
**NEMA 4/4X plastic enclosure**



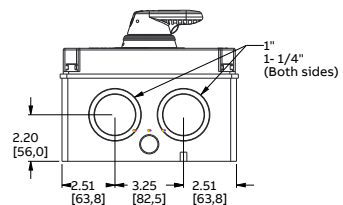
EOT560



	OH-SELECTOR	OH-PISTOL PLASTIC
"H1"	1.36 [34.5]	1.77 [45.0]
"H2"	4.53 [115.1]	4.94 [125.5]
"H3"	0.75 [19.1]	1.42 [36.6]



EOT580



	OH-SELECTOR	OH-PISTOL PLASTIC
"H1"	1.36 [34.5]	1.77 [45.0]
"H2"	6.71 [170.4]	7.12 [180.8]
"H3"	0.75 [19.1]	1.42 [36.6]

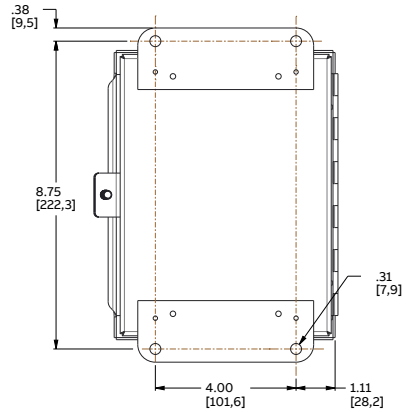
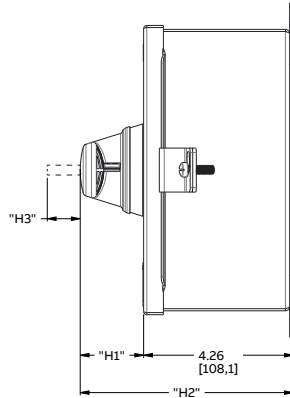
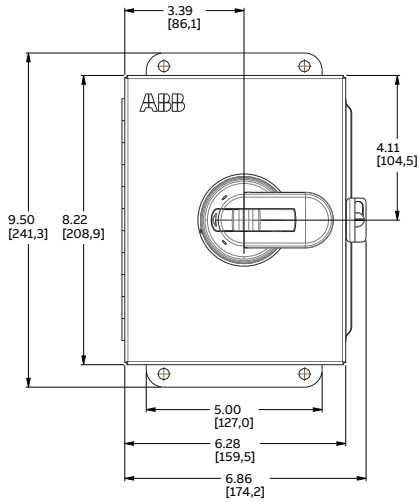
Dimensions inches (mm)

**ABB is distributed by Gross Automation!**  
+1(262)252-1600 or sales@grossautomation.com

# Enclosed Rotary Switches EOT520, EOT530, EOT540, EOT560, EOT580

6-pole UL 508, non-fused  
 3-pole UL 508, changeover  
 Dimensions

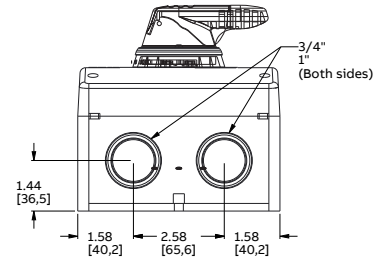
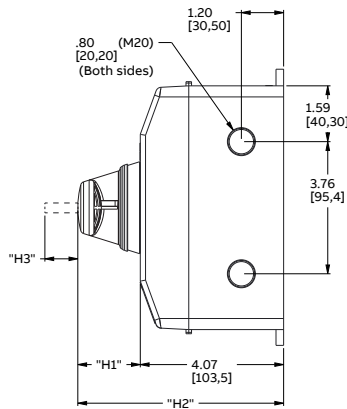
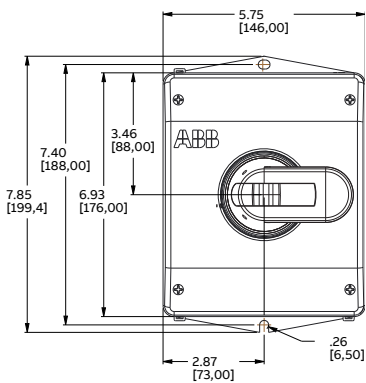
## NEMA 3R/12 metal enclosure NEMA 4/4X stainless steel enclosure



	OH - SELECTOR	OH- PISTOL PLASTIC	OH- PISTOL METAL
"H1"	1.34 [34.0]	1.77 [45.0]	2.01 [51.0]
"H2"	5.59 [142]	6.02 [153]	6.26 [159]
"H3"	0.75 [19.1]	1.42 [36.6]	1.42 [36.6]

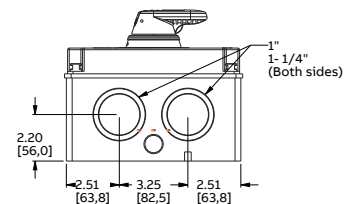
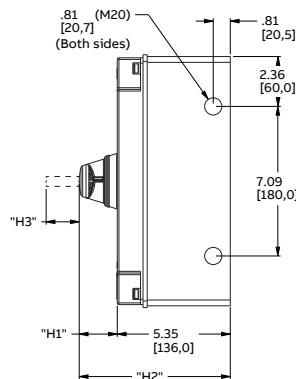
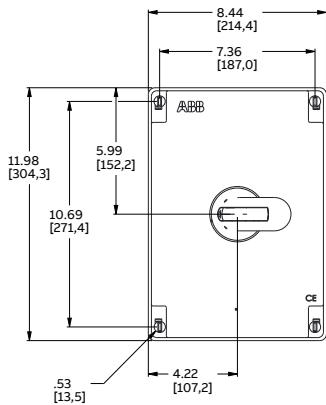
EOT520, EOT530, EOT540, EOT560, EOT580

## NEMA 4/4X plastic enclosure



	OH-SELECTOR	OH-PISTOL PLASTIC
"H1"	1.36 [34.5]	1.77 [45.0]
"H2"	4.53 [115.1]	4.94 [125.5]
"H3"	0.75 [19.1]	1.42 [36.6]

EOT520, EOT530, EOT540, EOT560



	OH-SELECTOR	OH-PISTOL PLASTIC
"H1"	1.36 [34.5]	1.77 [45.0]
"H2"	6.71 [170.4]	7.12 [180.8]
"H3"	0.75 [19.1]	1.42 [36.6]

EOT580

Dimensions inches (mm)

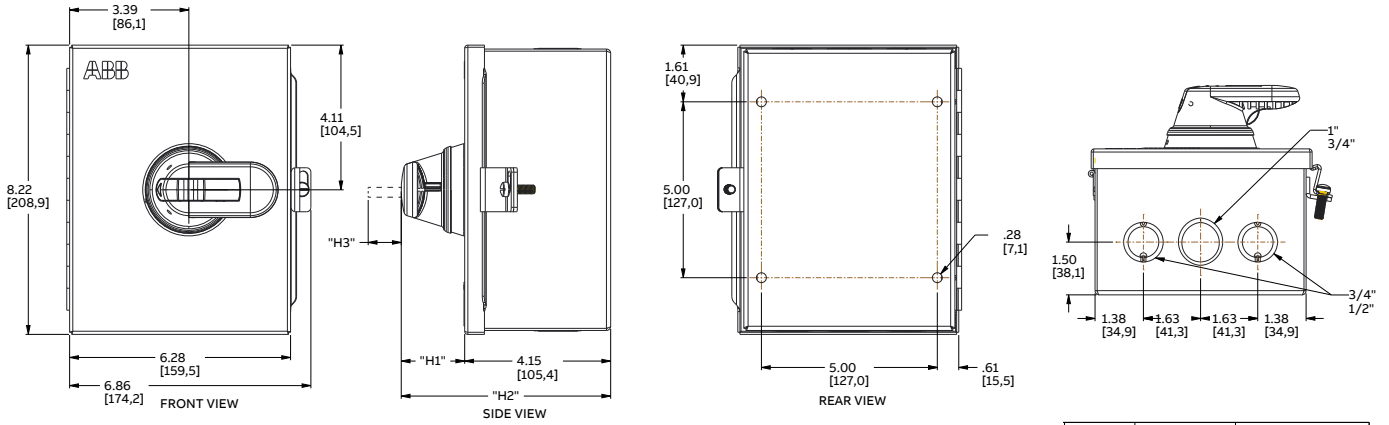
**ABB is distributed by Gross Automation!**  
 +1(262)252-1600 or sales@grossautomation.com

# Enclosed Rotary Switches EOT930, EOT960

3- and 4-pole UL 98, non-fused

Dimensions

## NEMA 1 metal enclosure

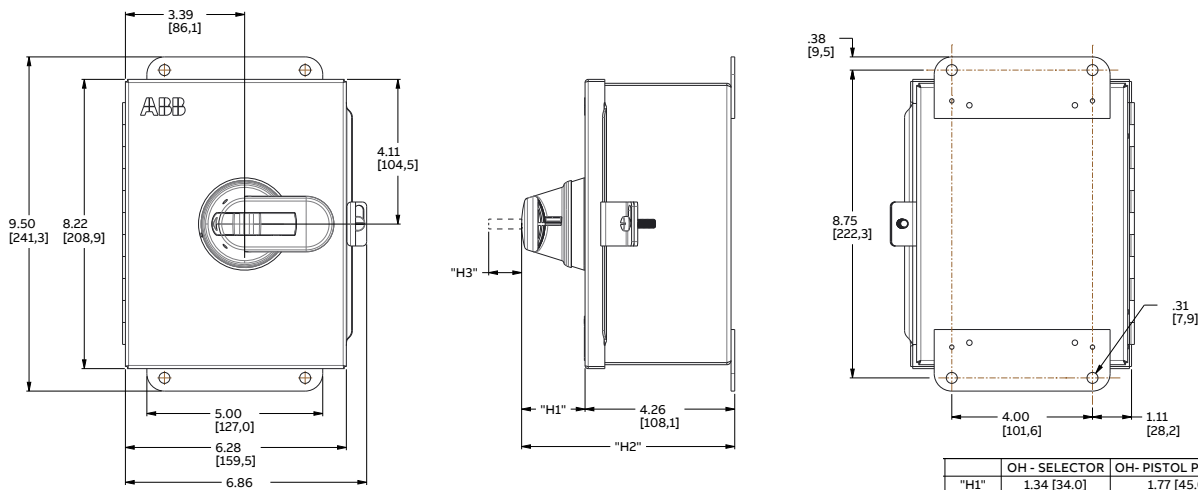


EOT930, EOT960

	OH - SELECTOR	OH - PISTOL PLASTIC
"H1"	1.34 [34.0]	1.77 [45.0]
"H2"	5.5 [139.5]	5.93 [150.5]
"H3"	0.75 [19.1]	1.42 [36.6]

## NEMA 3R/12 metal enclosure

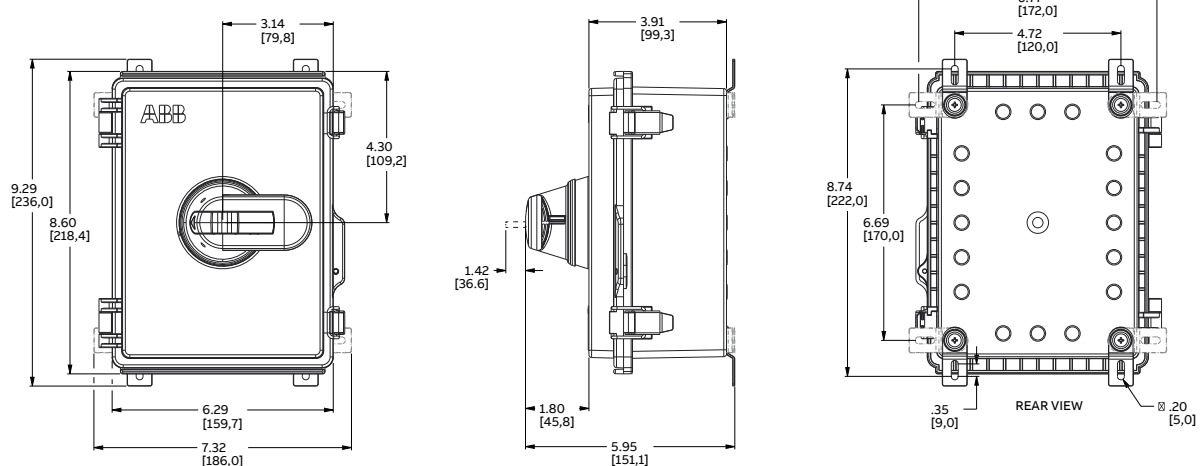
## NEMA 4/4X stainless steel enclosure



EOT930, EOT960

	OH - SELECTOR	OH- PISTOL PLASTIC	OH- PISTOL METAL
"H1"	1.34 [34.0]	1.77 [45.0]	2.01 [51.0]
"H2"	5.59 [142]	6.02 [153]	6.26 [159]
"H3"	0.75 [19.1]	1.42 [36.6]	1.42 [36.6]

## NEMA 4/4X plastic enclosure



Note: Only 4 mounting brackets with hardware provided separately (not installed). Able to mount on side or top

EOT930, EOT960

Dimensions inches (mm)

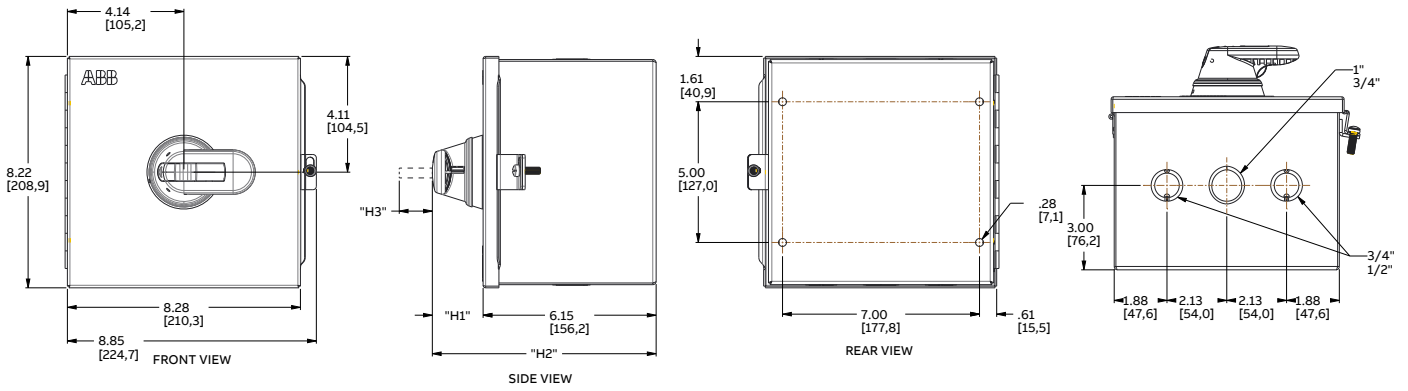
ABB is distributed by Gross Automation!  
 +1(262)252-1600 or sales@grossautomation.com

# Enclosed Rotary Switches EOT930, EOT960

6-pole UL 98, non-fused

Dimensions

## NEMA 1 metal enclosure

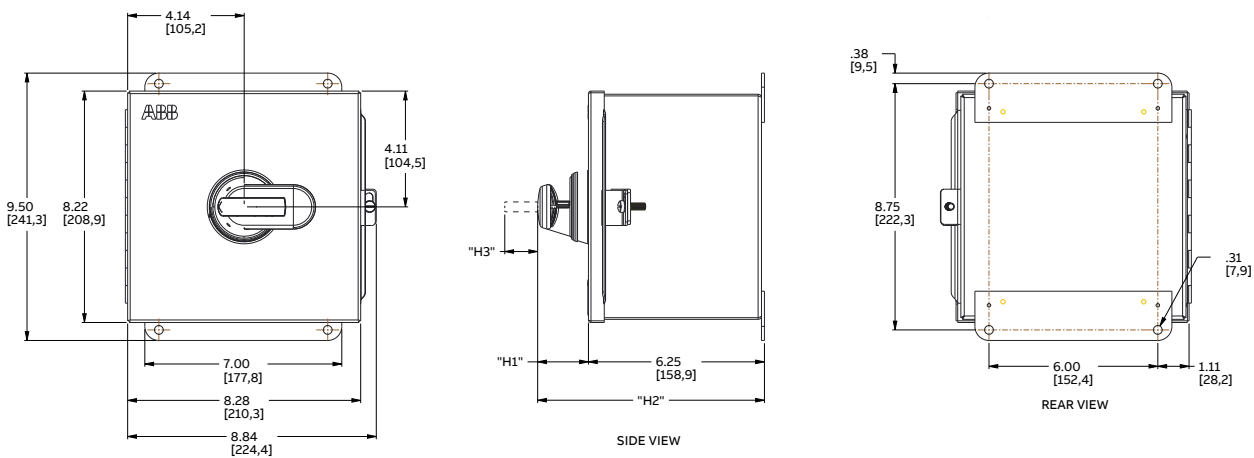


EOT930, EOT960

	OH - SELECTOR	OH-PISTOL PLASTIC
"H1"	1.34 [34.0]	1.77 [45.0]
"H2"	7.48 [190]	7.91 [201]
"H3"	0.75 [19.1]	1.42 [36.6]

## NEMA 3R/12 metal enclosure

## NEMA 4/4X stainless steel enclosure



EOT930, EOT960

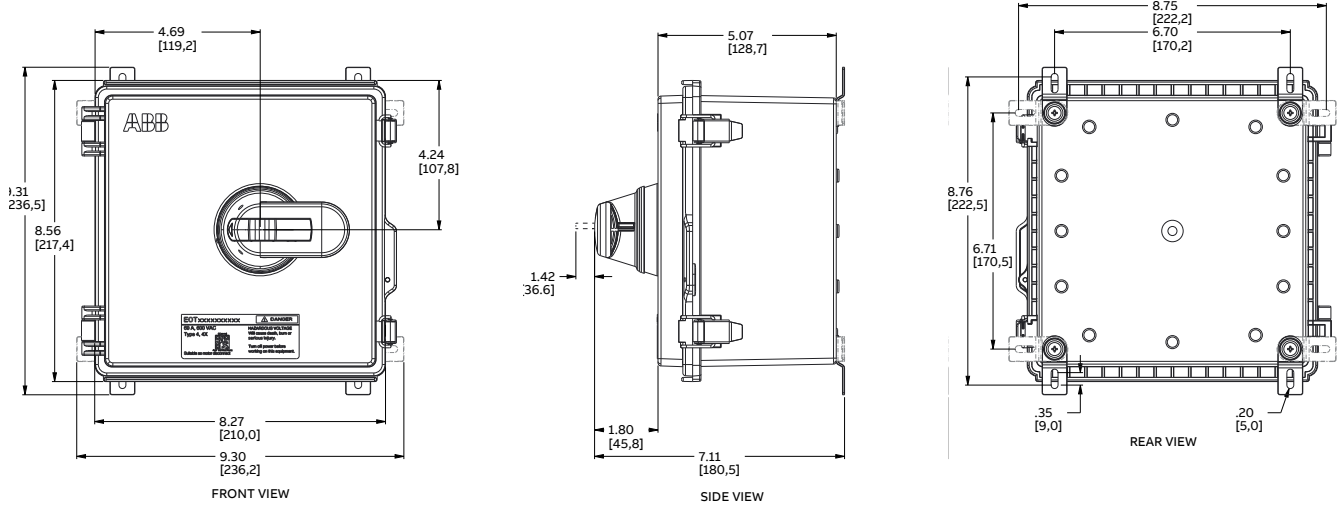
	OH - SELECTOR	OH PISTOL PLASTIC	OH PISTOL METAL
"H1"	1.34 [34.0]	1.77 [45.0]	2.01 [51.0]
"H2"	7.6 [193]	8.03 [204]	8.27 [210]
"H3"	0.75 [19.1]	1.42 [36.6]	1.42 [36.6]

## Enclosed Rotary Switches EOT930, EOT960

6-pole UL 98, non-fused

Dimensions

### NEMA 4/4X plastic enclosure



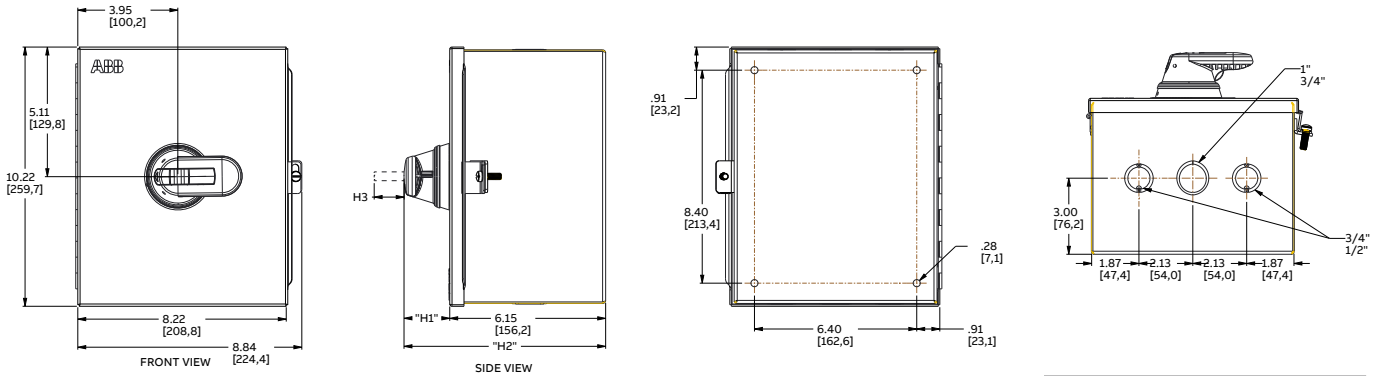
Note:  
Only 4 mounting brackets with hardware provided separately (not installed). Able to mount on side or top

EOT930, EOT960

# Enclosed Rotary Switches EOT9100

3-, 4- and 6-pole UL 98, non-fused  
Dimensions

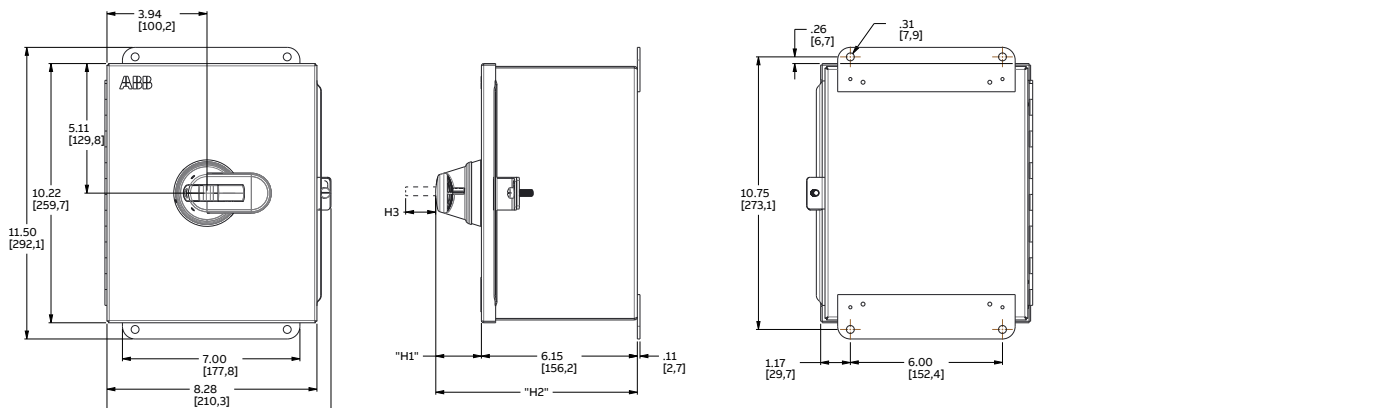
## NEMA 1 metal enclosure



EOT9100

	OH-SELECTOR	DH-PISTOL PLASTIC
"H1"	1.36 [34.5]	1.77 [45.0]
"H2"	7.51 [190.8]	7.92 [201.2]
"H3"	0.75 [19.1]	1.42 [36.6]

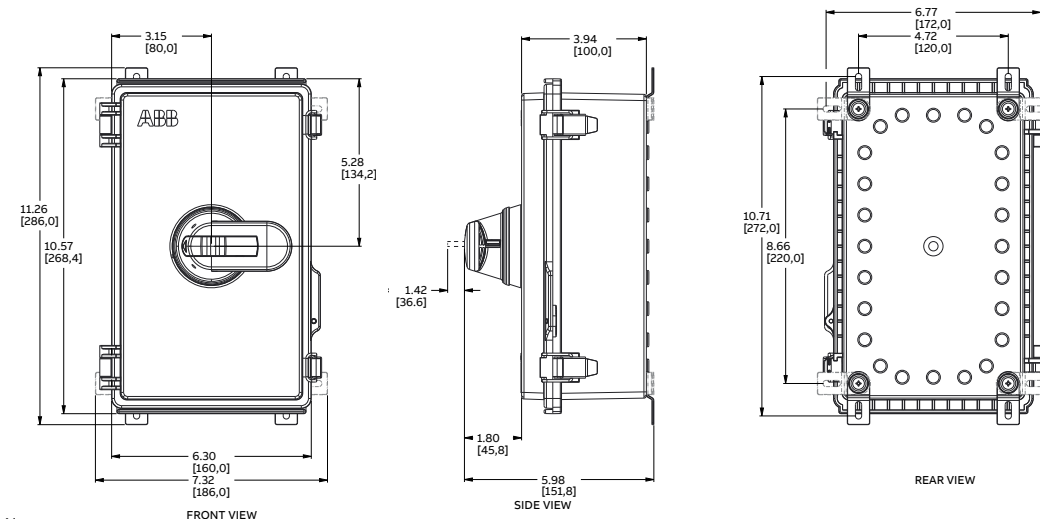
## NEMA 3R/12 metal enclosure NEMA 4/4X stainless steel enclosure



EOT9100

	OHS - SELECTOR	OH PISTOL PLASTIC	OH PISTOL METAL
"H1"	1.36 [34.5]	1.77 [45.0]	2.01 [51.0]
"H2"	7.51 [190.8]	7.92 [201.2]	8.16 [207.3]
"H3"	0.75 [19.1]	1.42 [36.6]	1.46 [37]

## NEMA 4/4X plastic enclosure



Note:  
Only 4 mounting brackets with hardware provided separately (not installed). Able to mount on side or top

EOT9100

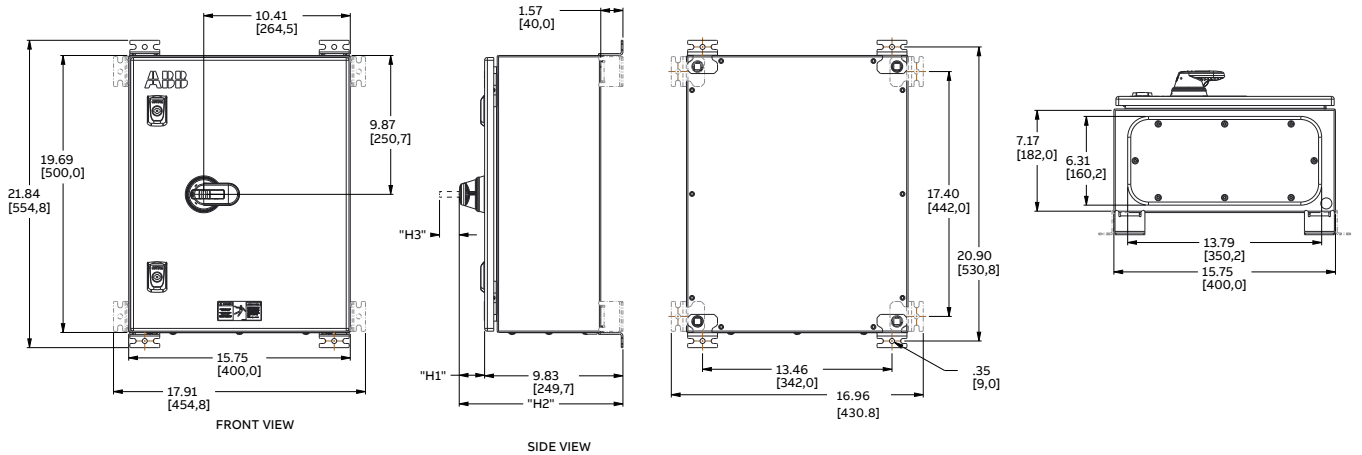
Dimensions inches (mm)

**ABB is distributed by Gross Automation!**  
+1(262)252-1600 or sales@grossautomation.com

# Enclosed Rotary Switches EOT9200

3-, 4- and 6-pole UL 98, non-fused  
Dimensions

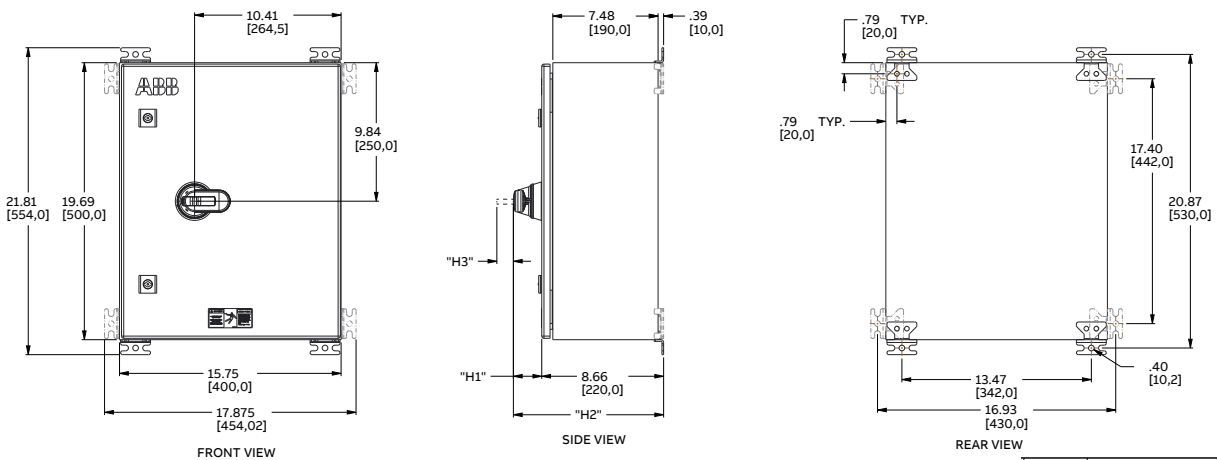
**NEMA 1 metal enclosure**  
**NEMA 3R/12 metal enclosure**



**Note:**  
Only 4 mounting brackets with hardware provided separately (not installed). Able to mount on side or top  
—  
EOT9200

	OH PISTOL PLASTIC	OH PISTOL METAL
"H1"	1.77 [45.0]	2.01 [51.0]
"H2"	11.61 [295]	11.85 [301]
"H3"	0.75 [19.1]	1.42 [36.6]

## NEMA 4/4X stainless steel enclosure



**Note:**  
Only 4 mounting brackets with hardware provided separately (not installed). Able to mount on side or top  
—  
EOT9200

	OH PISTOL PLASTIC	OH PISTOL METAL
"H1"	1.77 [45.0]	2.01 [51.0]
"H2"	10.43 [265]	10.67 [271]
"H3"	0.75 [19.1]	1.42 [36.6]

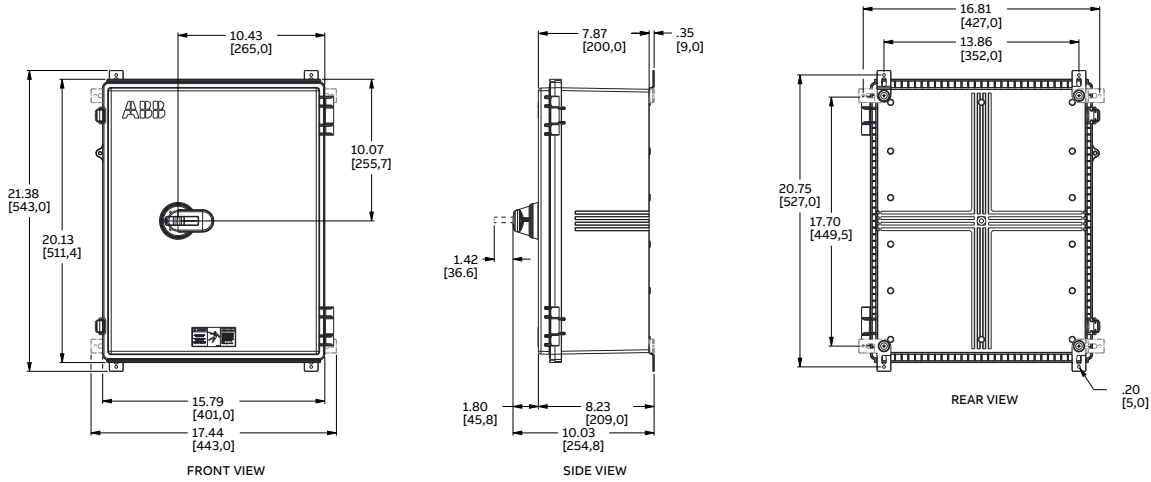
Dimensions inches (mm)

**ABB is distributed by Gross Automation!**  
**+1(262)252-1600 or sales@grossautomation.com**

**Enclosed Rotary Switches EOT9200**

3-, 4- and 6-pole UL 98, non-fused  
Dimensions

**NEMA 4/4X plastic enclosure**



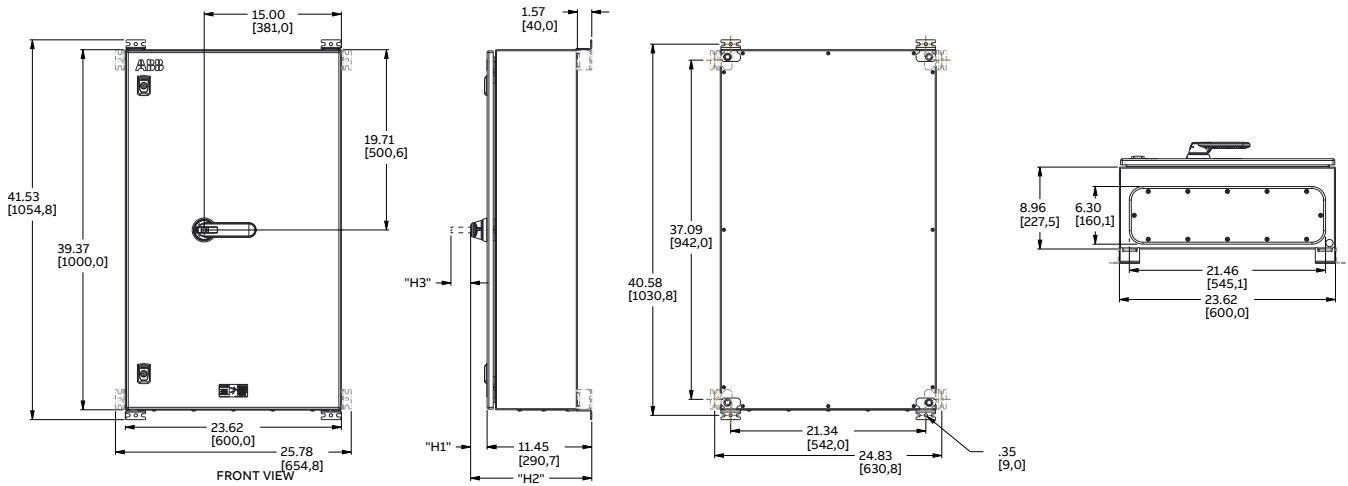
Note:  
Only 4 mounting brackets with hardware provided separately (not installed). Able to mount on side or top

EOT9200

# Enclosed Rotary Switches EOT9400

3-, 4- and 6-pole UL 98, non-fused  
Dimensions

**NEMA 1 metal enclosure**  
**NEMA 3R/12 metal enclosure**

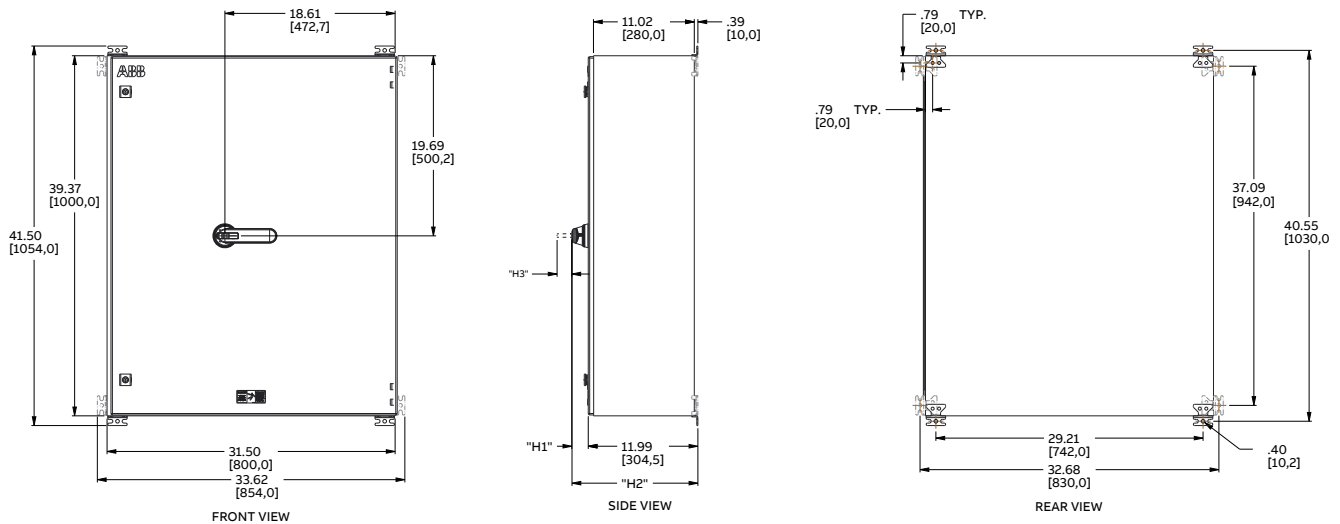


Note:  
Only 4 mounting brackets with hardware provided separately (not installed). Able to mount on side or top

	OH PISTOL PLASTIC	OH PISTOL METAL
"H1"	1.77 [45.0]	2.01 [51.0]
"H2"	13.22 [335.8]	13.46 [341.9]
"H3"	0.75 [19.1]	1.42 [36.6]

EOT9400

## NEMA 4/4X stainless steel enclosure



Note:  
Only 4 mounting brackets with hardware provided separately (not installed). Able to mount on side or top

	OH-PISTOL PLASTIC	OH-PISTOL METAL
"H1"	1.77 [45.0]	2.01 [51.0]
"H2"	13.76 [349.5]	14 [355.6]
"H3"	0.75 [19.1]	1.42 [36.6]

EOT9400

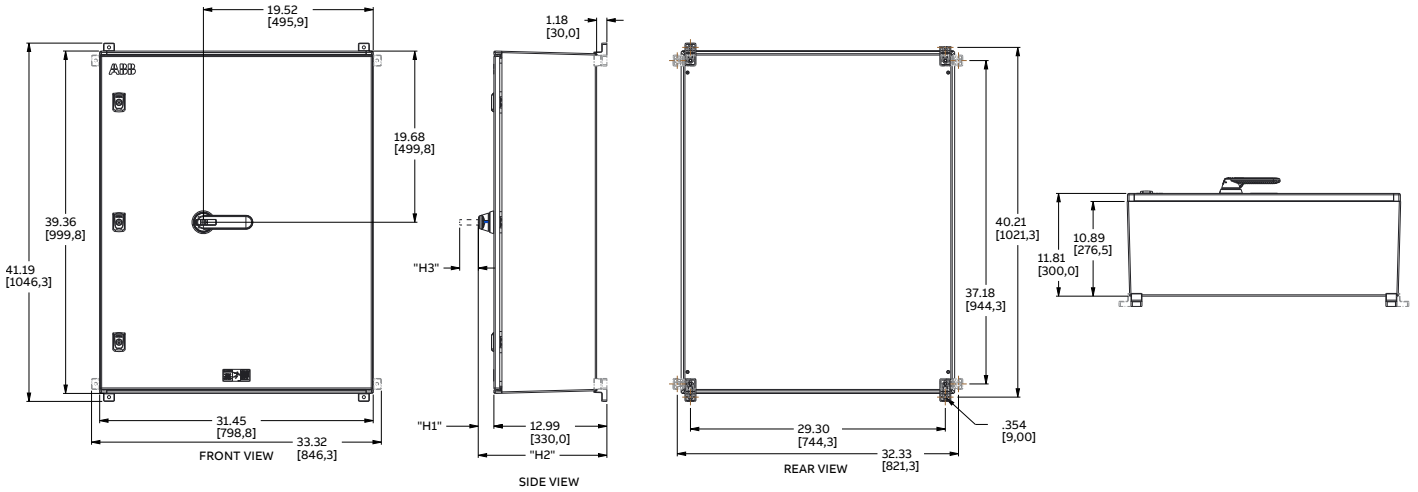
Dimensions inches (mm)

**ABB is distributed by Gross Automation!**  
**+1(262)252-1600 or sales@grossautomation.com**

# Enclosed Rotary Switches EOT9400

3-, 4- and 6-pole UL 98, non-fused  
Dimensions

## NEMA 4/4X plastic enclosure



Note:  
Only 4 mounting brackets with hardware provided separately (not installed). Able to mount on side or top

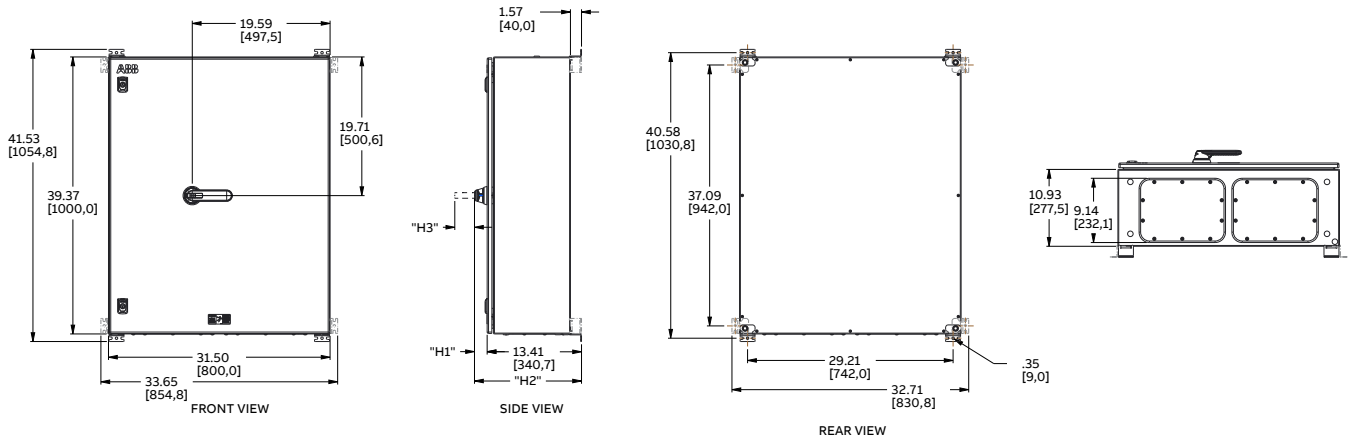
	OH PISTOL PLASTIC
"H1"	1.77 [45.0]
"H2"	14.76 [374.9]
"H3"	1.42 [36.6]

EOT9400

# Enclosed Rotary Switches EOT9600

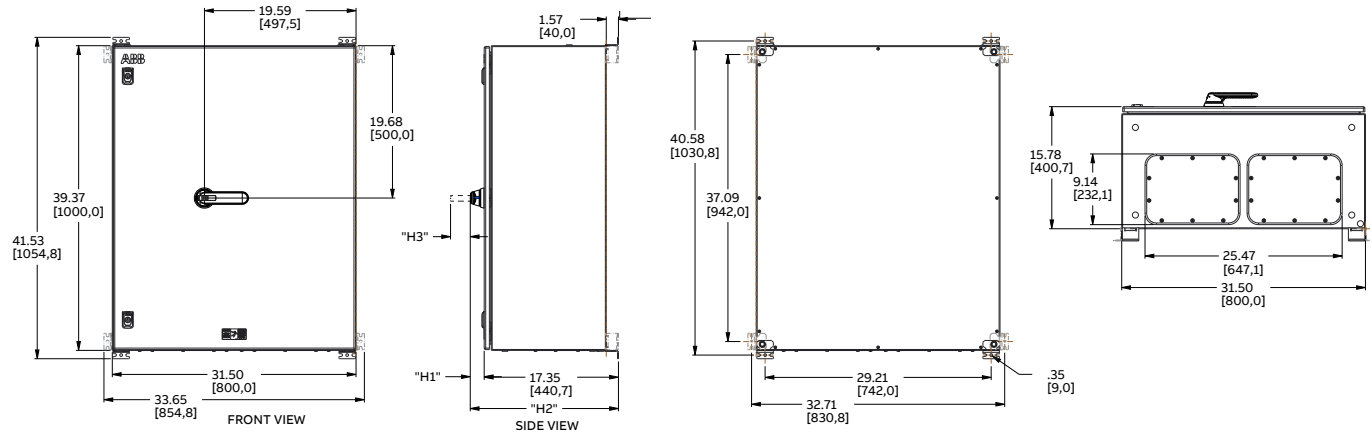
3-, 4- and 6-pole UL 98, non-fused  
Dimensions

**NEMA 1 metal enclosure**  
**NEMA 3R/12 metal enclosure**



Note:  
Only 4 mounting brackets with hardware provided separately (not installed). Able to mount on side or top

	OH-PISTOL PLASTIC	OH-PISTOL METAL
"H1"	1.77 [45.0]	2.01 [51.0]
"H2"	13.76 [349.5]	14 [355.6]
"H3"	0.75 [19.1]	1.42 [36.6]



Note:  
Only 4 mounting brackets with hardware provided separately (not installed). Able to mount on side or top

	OH PISTOL PLASTIC	OH PISTOL METAL
"H1"	1.77 [45.0]	2.01 [51.0]
"H2"	19.12 [485.6]	19.36 [491.7]
"H3"	1.42 [36.6]	1.42 [36.6]

EOT9600

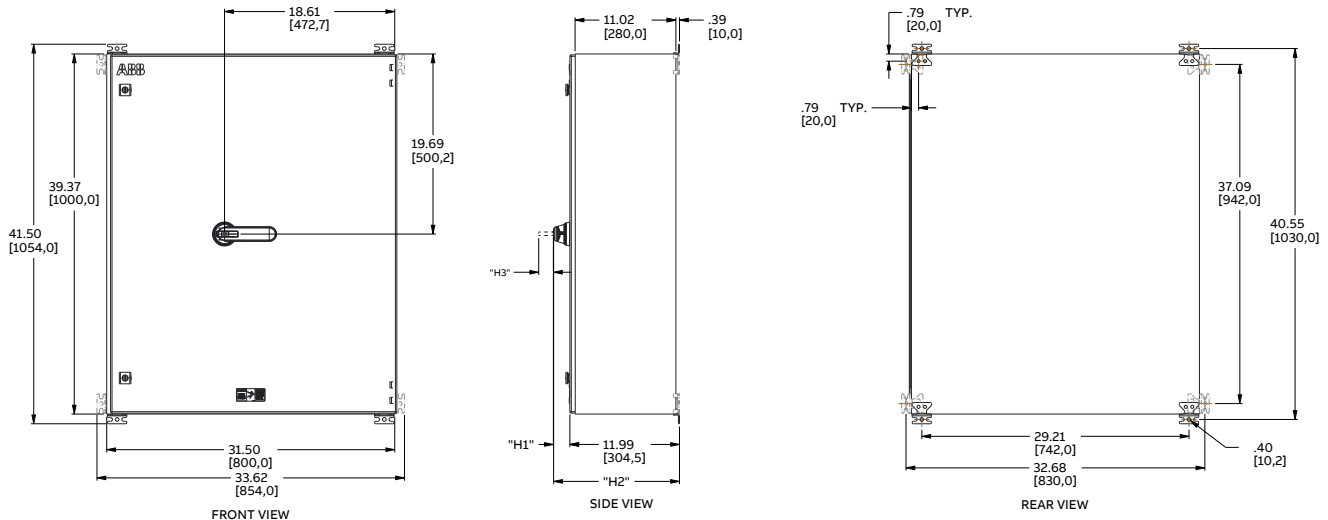
Dimensions inches (mm)

**ABB is distributed by Gross Automation!**  
**+1(262)252-1600 or sales@grossautomation.com**

# Enclosed Rotary Switches EOT9600

3-, 4- and 6-pole UL 98, non-fused  
Dimensions

## NEMA 4/4X stainless steel enclosure



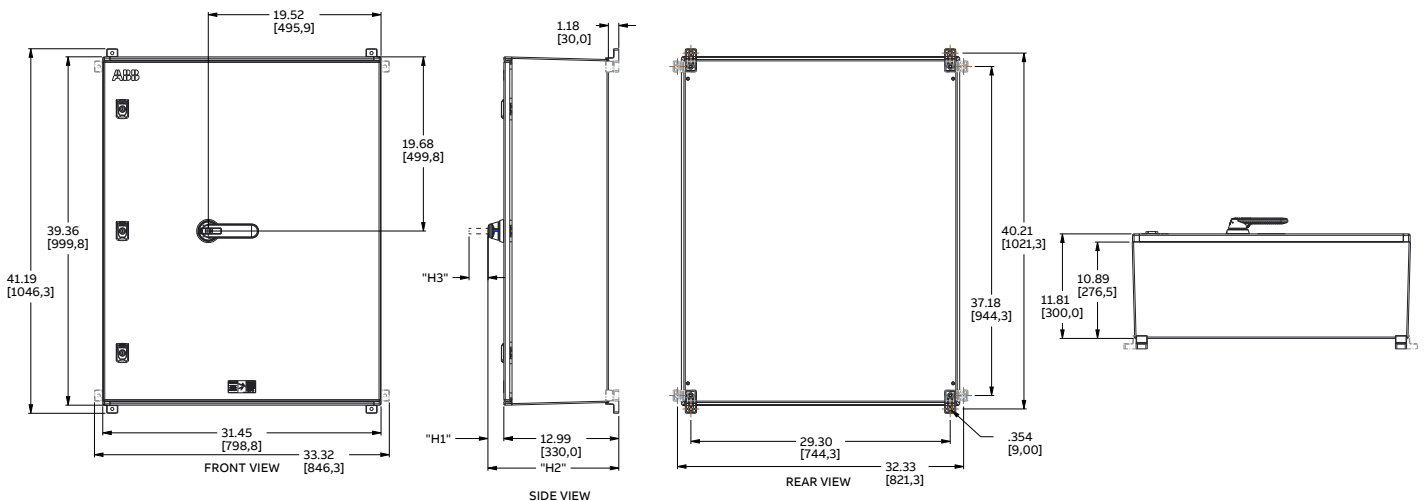
Note:  
Only 4 mounting brackets with hardware provided separately (not installed). Able to mount on side or top

All Dimensions are in Inch [mm]

EOT9600

	OH-PISTOL PLASTIC	OH-PISTOL METAL
"H1"	1.77 [45.0]	2.01 [51.0]
"H2"	13.76 [349.5]	14 [355.6]
"H3"	0.75 [19.1]	1.42 [36.6]

## NEMA 4/4X plastic enclosure



Note:  
Only 4 mounting brackets with hardware provided separately (not installed). Able to mount on side or top

EOT9600

	OH PISTOL PLASTIC
"H1"	1.77 [45.0]
"H2"	14.76 [374.9]
"H3"	1.42 [36.6]

Dimensions inches (mm)

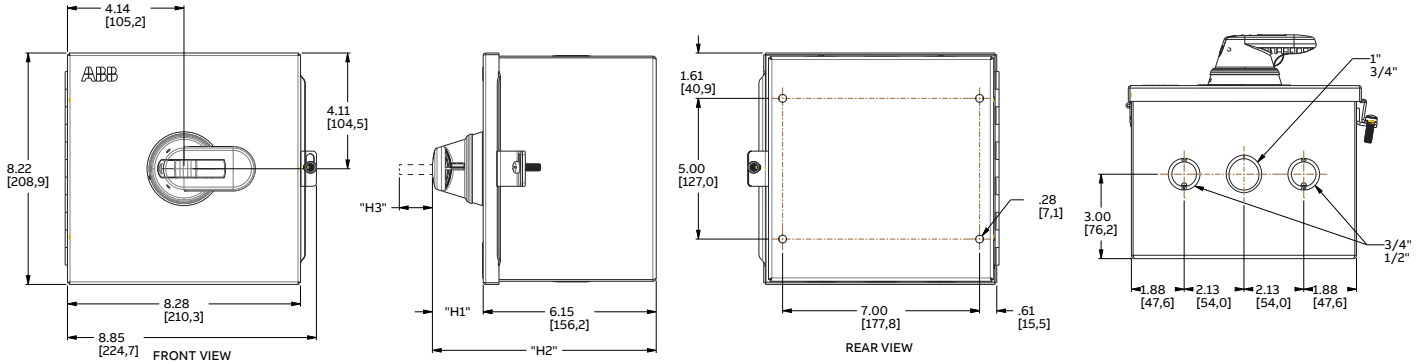
ABB is distributed by Gross Automation!  
+1(262)252-1600 or sales@grossautomation.com

## Enclosed Rotary Switches EOT930, EOT960

3-pole UL 98, changeover

Dimensions

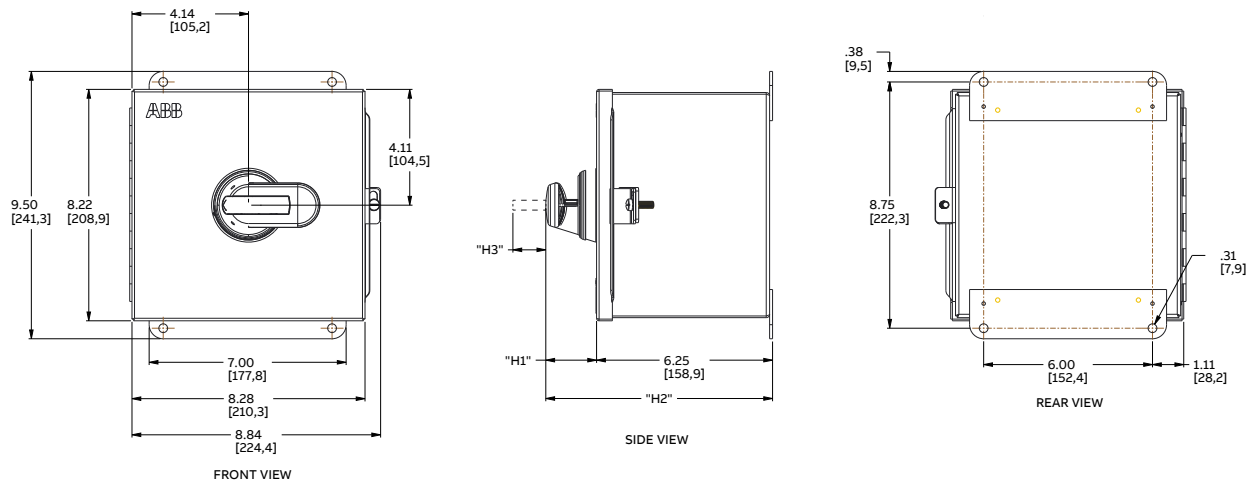
### NEMA 1 metal enclosure



	OH - SELECTOR	OH-PISTOL PLASTIC
"H1"	1.34 [34.0]	1.77 [45.0]
"H2"	7.48 [190]	7.91 [201]
"H3"	0.75 [19.1]	1.42 [36.6]

EOT930, EOT960

### NEMA 3R/12 metal enclosure NEMA 4/4X stainless steel enclosure



	OH - SELECTOR	OH PISTOL PLASTIC	OH PISTOL METAL
"H1"	1.34 [34.0]	1.77 [45.0]	2.01 [51.0]
"H2"	7.6 [193]	8.03 [204]	8.27 [210]
"H3"	0.75 [19.1]	1.42 [36.6]	1.42 [36.6]

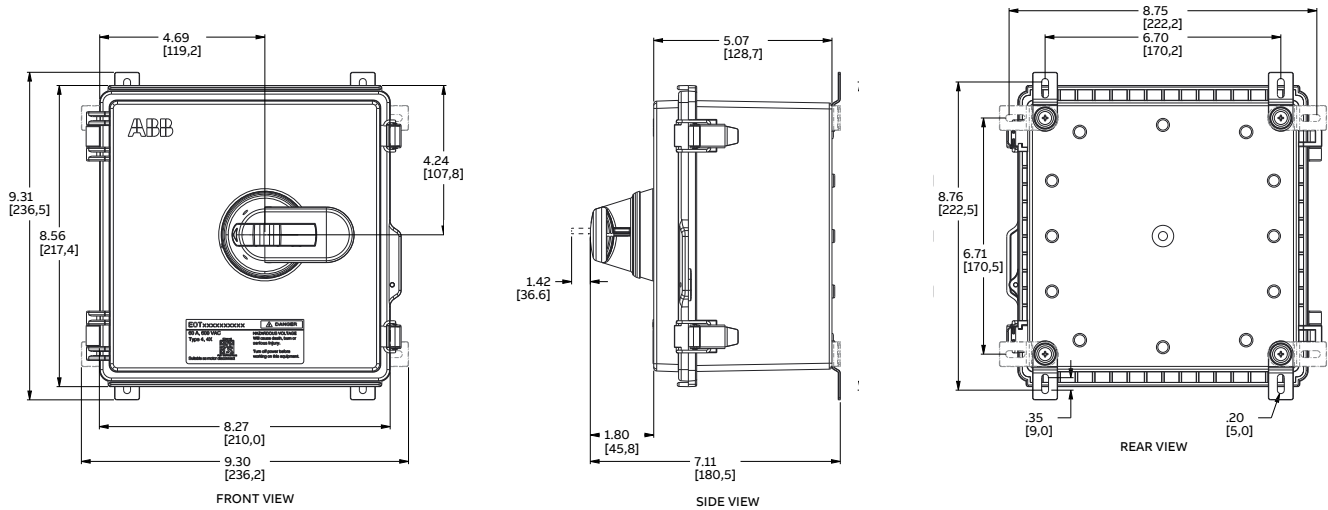
EOT930, EOT960

## Enclosed Rotary Switches EOT930, EOT960

3-pole UL 98, changeover

Dimensions

### NEMA 4/4X plastic enclosure



**Note:**

Only 4 mounting brackets with hardware provided separately (not installed). Able to mount on side or top

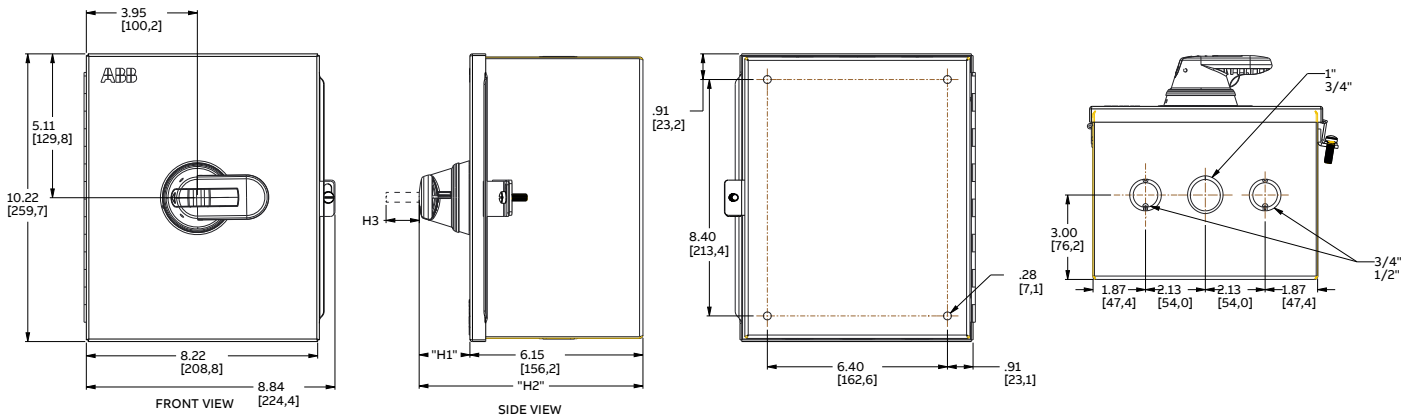
EOT930

# Enclosed Rotary Switches EOT9100

3-pole UL 98, changeover

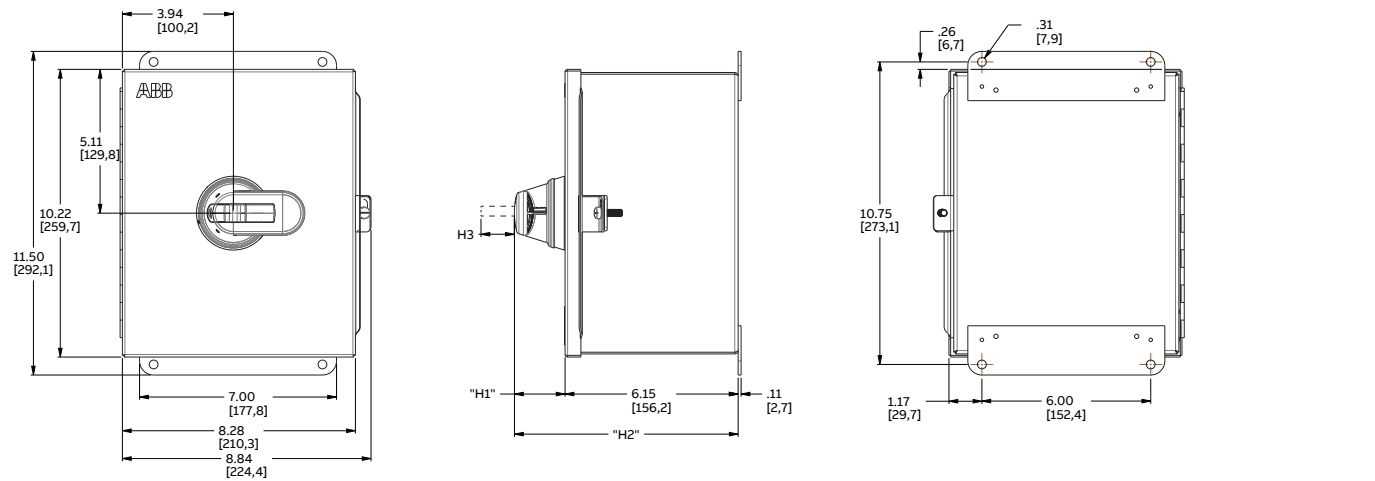
Dimensions

## NEMA 1 metal enclosure



EOT9100

## NEMA 3R/12 metal enclosure NEMA 4/4X stainless steel enclosure



EOT9100

Dimensions inches (mm)

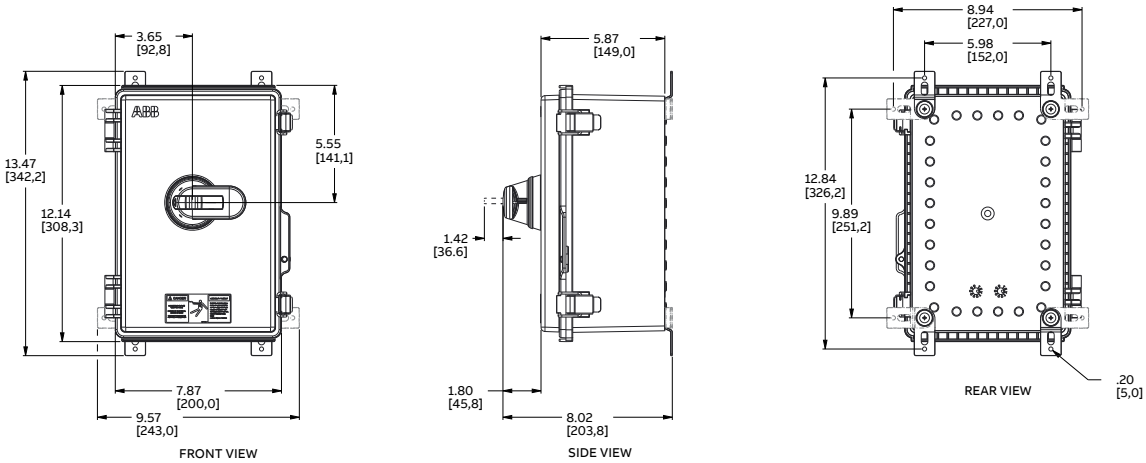
ABB is distributed by Gross Automation!  
+1(262)252-1600 or sales@grossautomation.com

# Enclosed Rotary Switches EOT9100

3-pole UL 98, changeover

Dimensions

NEMA 4/4X plastic enclosure



Note:  
Only 4 mounting brackets with hardware provided separately (not installed). Able to mount on side or top

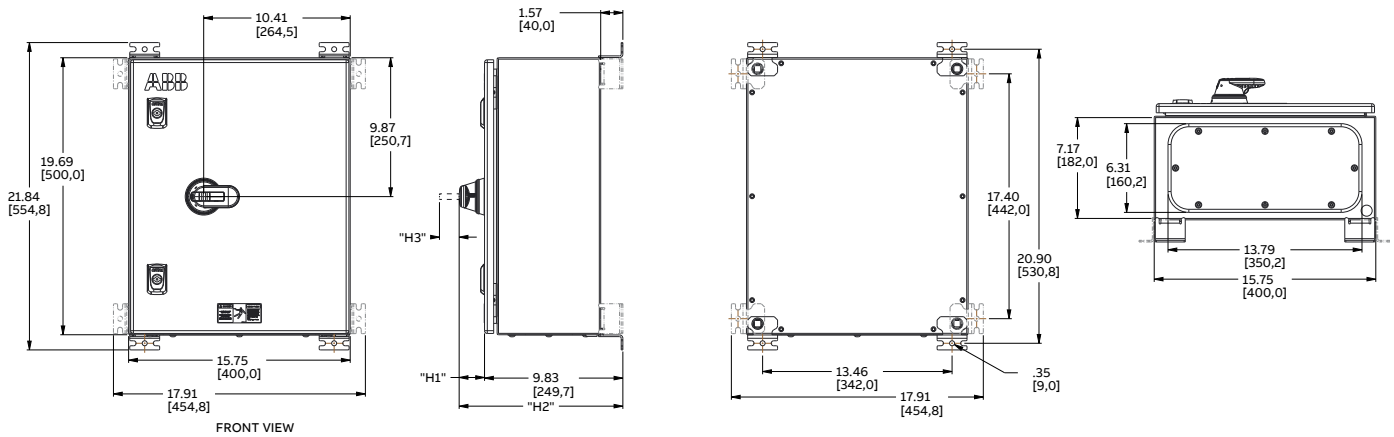
EOT9100

# Enclosed Rotary Switches EOT9200

3-pole UL 98, changeover

Dimensions

**NEMA 1 metal enclosure**  
**NEMA 3R/12 metal enclosure**

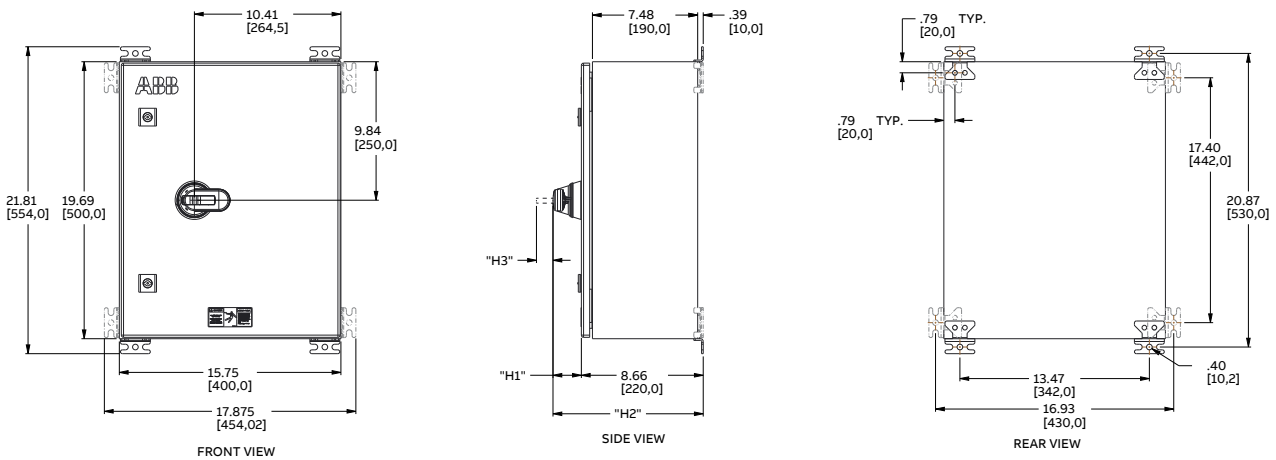


Note:  
 Only 4 mounting brackets with hardware provided separately (not installed). Able to mount on side or top

	OH PISTOL PLASTIC	OH PISTOL METAL
"H1"	1.77 [45.0]	2.01 [51.0]
"H2"	11.61 [295]	11.85 [301]
"H3"	0.75 [19.1]	1.42 [36.6]

EOT9200

## NEMA 4/4X stainless steel enclosure



Note:  
 Only 4 mounting brackets with hardware provided separately (not installed). Able to mount on side or top

	OH PISTOL PLASTIC	OH PISTOL METAL
"H1"	1.77 [45.0]	2.01 [51.0]
"H2"	10.43 [265]	10.67 [271]
"H3"	0.75 [19.1]	1.42 [36.6]

EOT9200

Dimensions inches (mm)

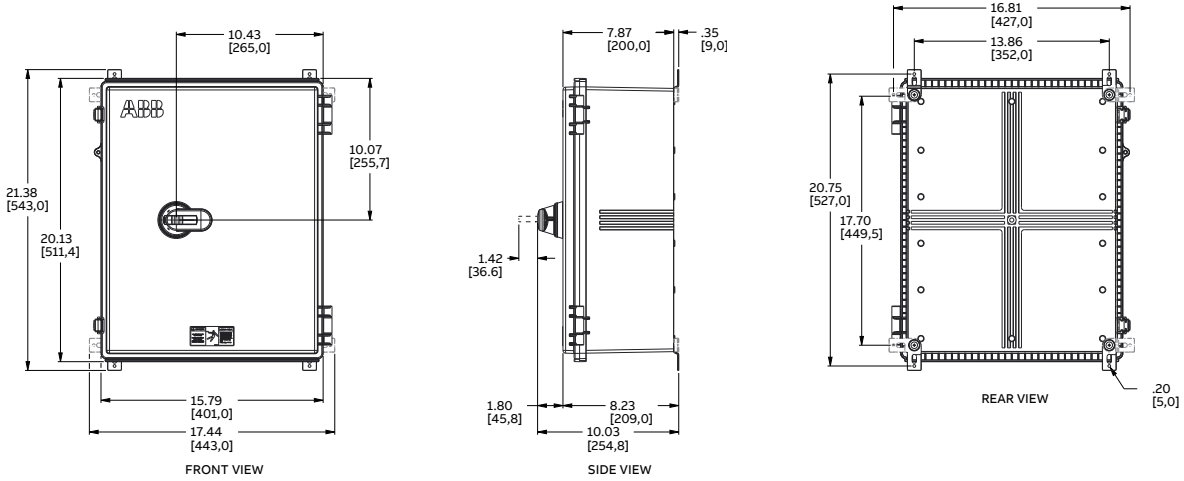
**ABB is distributed by Gross Automation!**  
 +1(262)252-1600 or sales@grossautomation.com

## Enclosed Rotary Switches EOT9200

3-pole UL 98, changeover

Dimensions

### NEMA 4/4X plastic enclosure



**Note:**  
 Only 4 mounting brackets with hardware provided separately (not installed). Able to mount on side or top

EOT9200

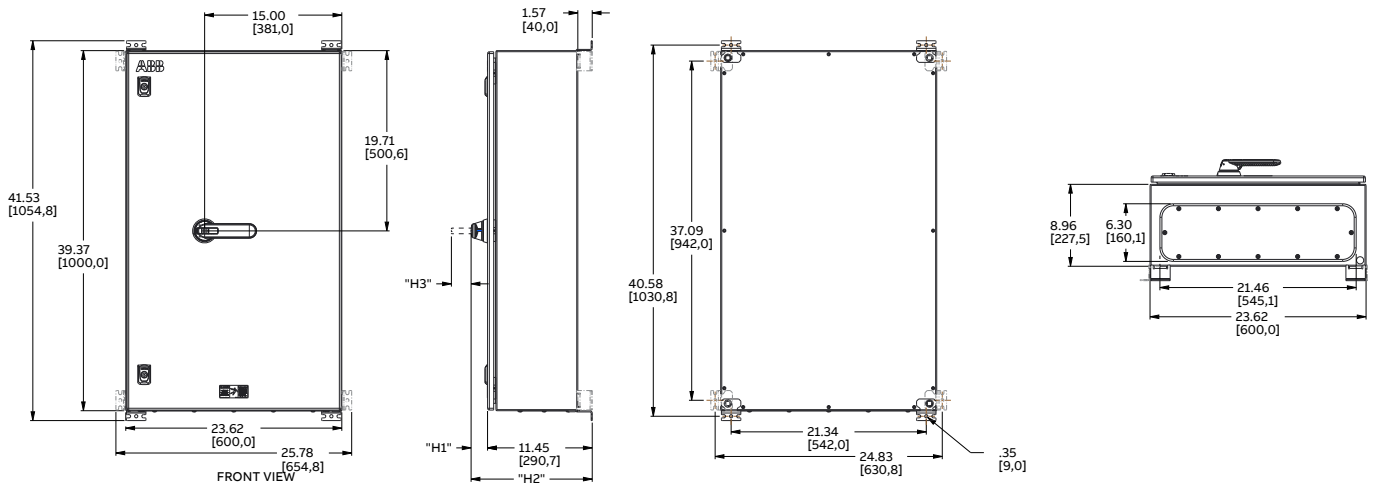
# Enclosed Rotary Switches EOT9400

3-pole UL 98, changeover

Dimensions

NEMA 1 metal enclosure

NEMA 3R/12 metal enclosure

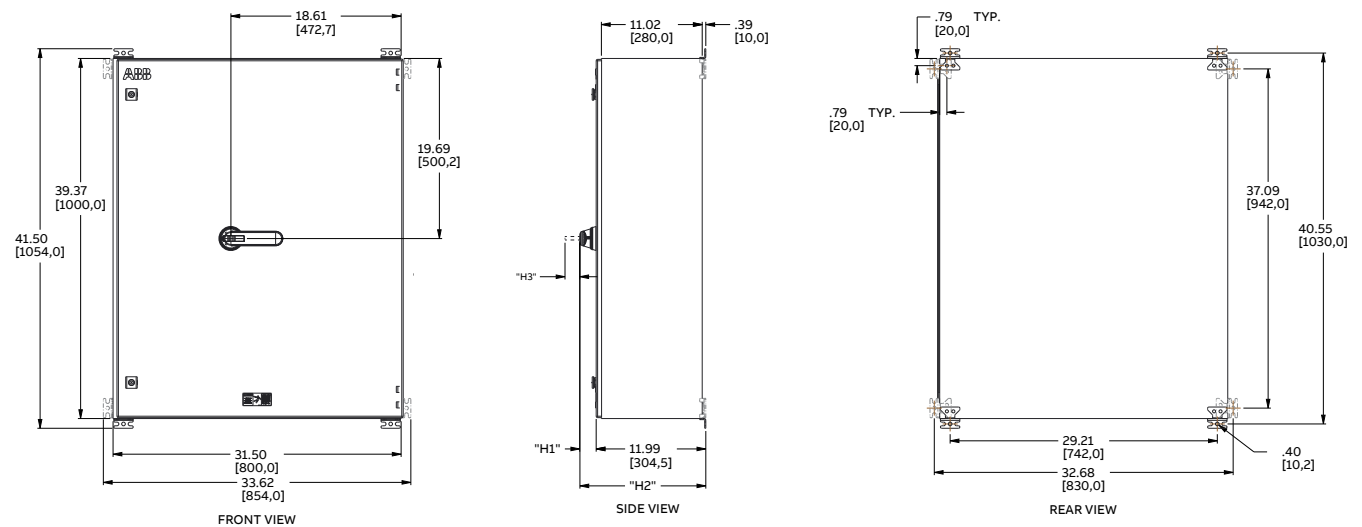


Note:  
Only 4 mounting brackets with hardware provided separately (not installed). Able to mount on side or top

	OH PISTOL PLASTIC	OH PISTOL METAL
"H1"	1.77 [45.0]	2.01 [51.0]
"H2"	13.22 [335.8]	13.46 [341.9]
"H3"	0.75 [19.1]	1.42 [36.6]

EOT 9400

# NEMA 4/4X stainless steel enclosure



Note:  
Only 4 mounting brackets with hardware provided separately (not installed). Able to mount on side or top

	OH-PISTOL PLASTIC	OH-PISTOL METAL
"H1"	1.77 [45.0]	2.01 [51.0]
"H2"	13.76 [349.5]	14 [355.6]
"H3"	0.75 [19.1]	1.42 [36.6]

EOT9400

Dimensions inches (mm)

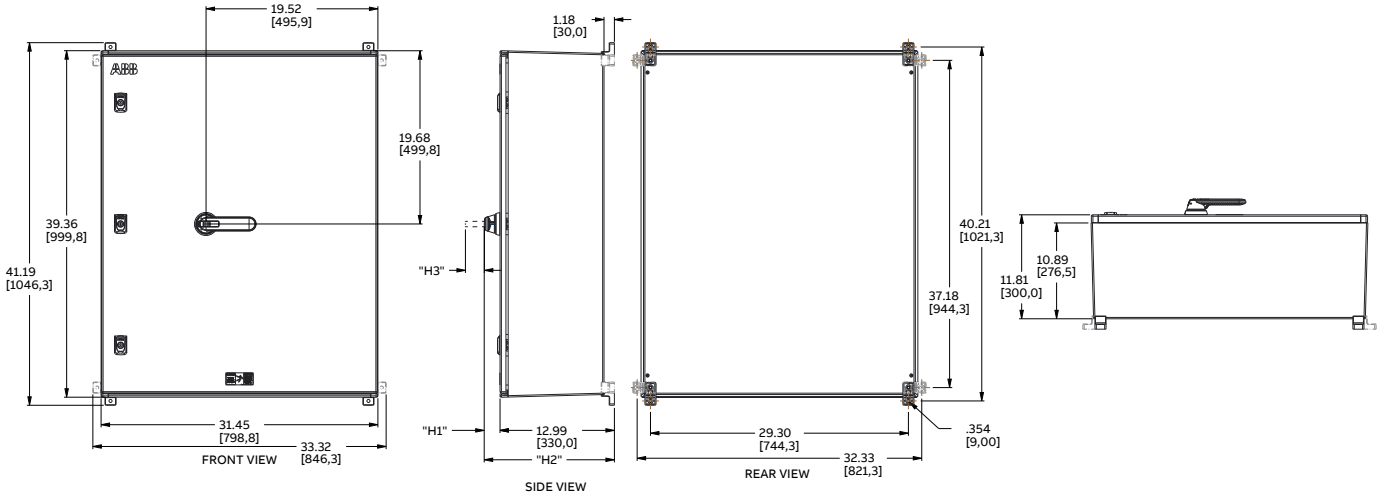
**ABB is distributed by Gross Automation!**  
+1(262)252-1600 or [sales@grossautomation.com](mailto:sales@grossautomation.com)

# Enclosed Rotary Switches EOT9400

3-pole UL 98, changeover

Dimensions

## NEMA 4/4X plastic enclosure



Note:  
Only 4 mounting brackets with hardware provided separately (not installed). Able to mount on side or top

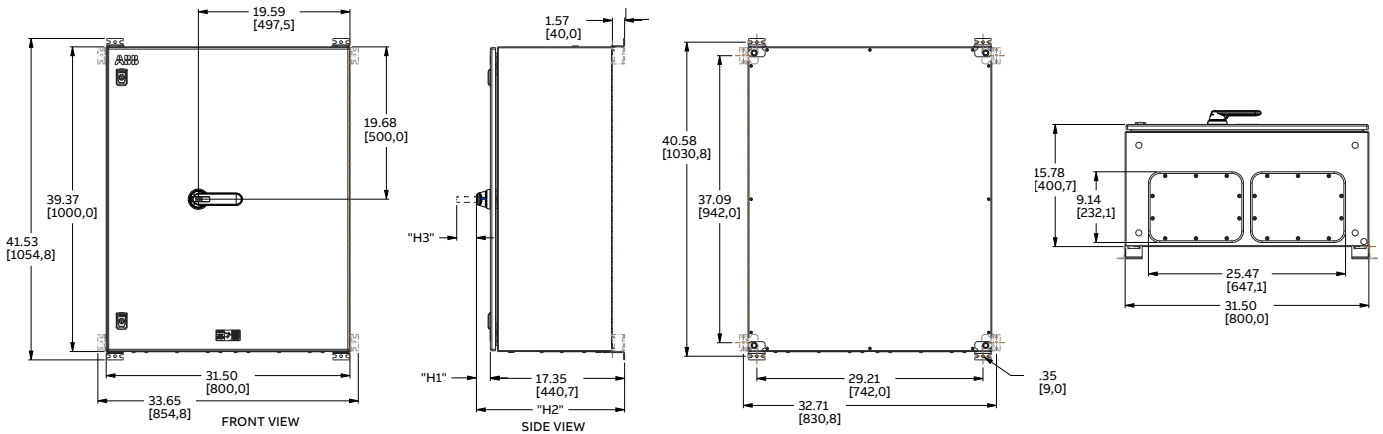
EOT9400

	OH PISTOL PLASTIC
"H1"	1.77 [45.0]
"H2"	14.76 [374.9]
"H3"	1.42 [36.6]

# Enclosed Rotary Switches EOT9600

3-pole UL 98, changeover  
Dimensions

**NEMA 1 metal enclosure**  
**NEMA 3R/12 metal enclosure**

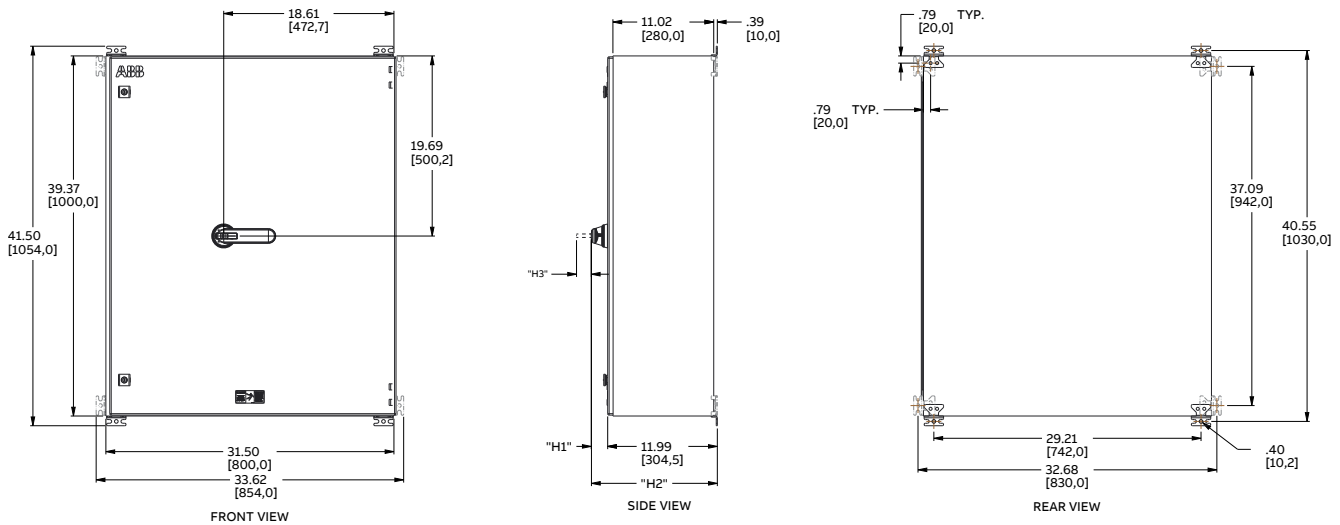


Note:  
Only 4 mounting brackets with hardware provided separately (not installed). Able to mount on side or top

	OH PISTOL PLASTIC	OH PISTOL METAL
"H1"	1.77 [45.0]	2.01 [51.0]
"H2"	19.12 [485.6]	19.36 [491.7]
"H3"	1.42 [36.6]	1.42 [36.6]

EOT9600

## NEMA 4/4X stainless steel enclosure



Note:  
Only 4 mounting brackets with hardware provided separately (not installed). Able to mount on side or top

	OH-PISTOL PLASTIC	OH-PISTOL METAL
"H1"	1.77 [45.0]	2.01 [51.0]
"H2"	13.76 [349.5]	14 [355.6]
"H3"	0.75 [19.1]	1.42 [36.6]

EOT9600

Dimensions inches (mm)

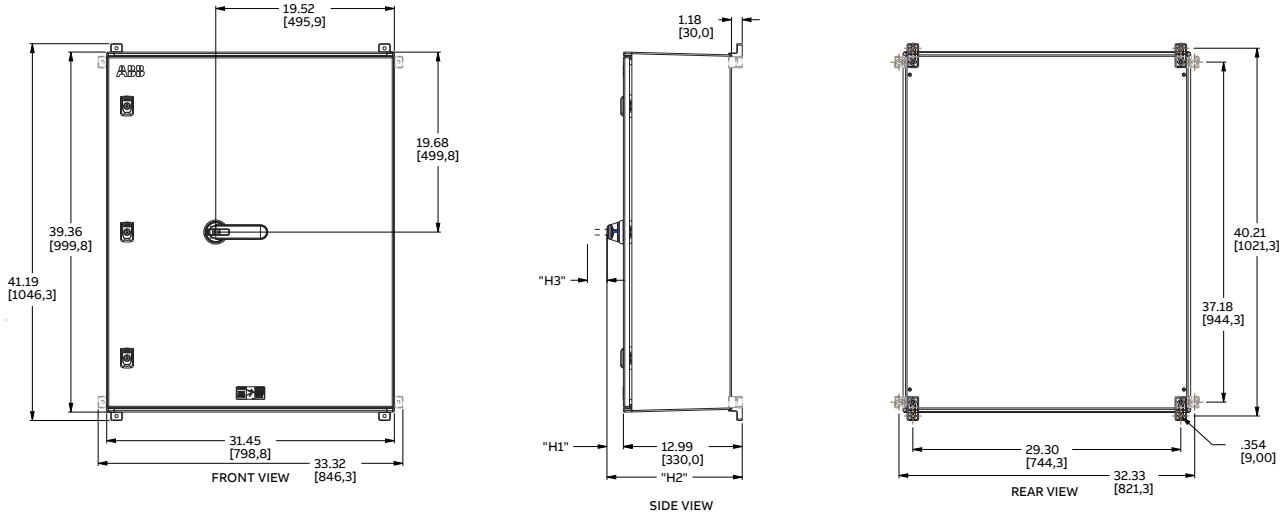
**ABB is distributed by Gross Automation!**  
**+1(262)252-1600 or sales@grossautomation.com**

# Enclosed Rotary Switches EOT9600

3-pole UL 98, changeover

Dimensions

NEMA 4/4X plastic enclosure



Note:  
Only 4 mounting brackets with hardware provided separately (not installed). Able to mount on side or top

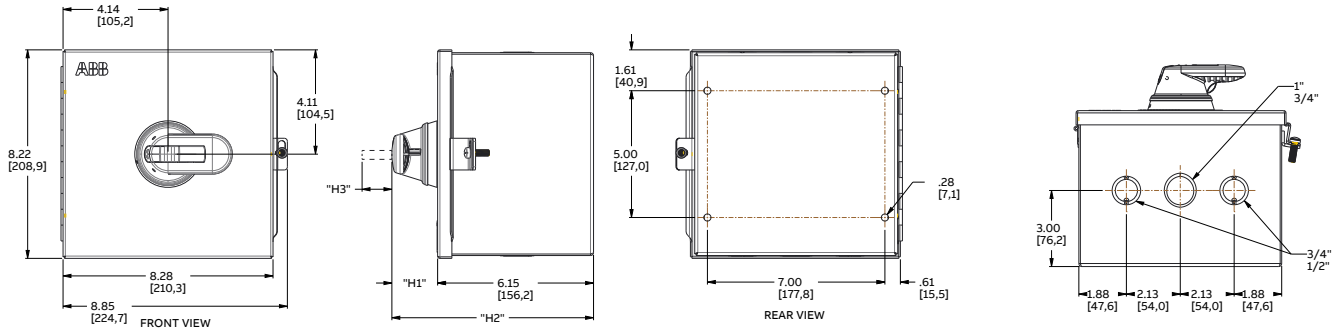
EOT9600

	OH PISTOL PLASTIC
"H1"	1.77 [45.0]
"H2"	14.76 [374.9]
"H3"	1.42 [36.6]

# Enclosed Rotary Switches EOS930

3-pole UL 98, fused  
Dimensions

## NEMA 1 metal enclosure

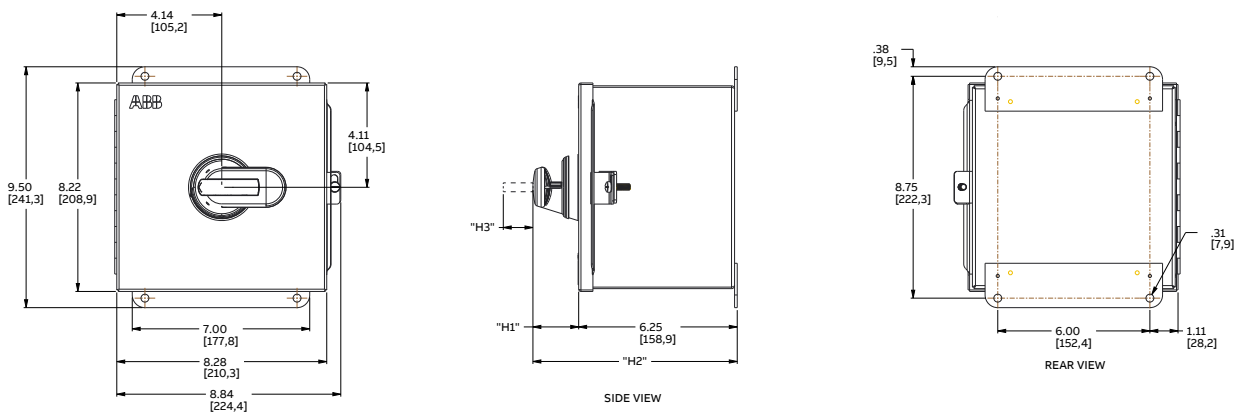


EOS930

	OH - SELECTOR	OH-PISTOL PLASTIC
"H1"	1.34 [34.0]	1.77 [45.0]
"H2"	7.48 [190]	7.91 [201]
"H3"	0.75 [19.1]	1.42 [36.6]

## NEMA 3R/12 metal enclosure

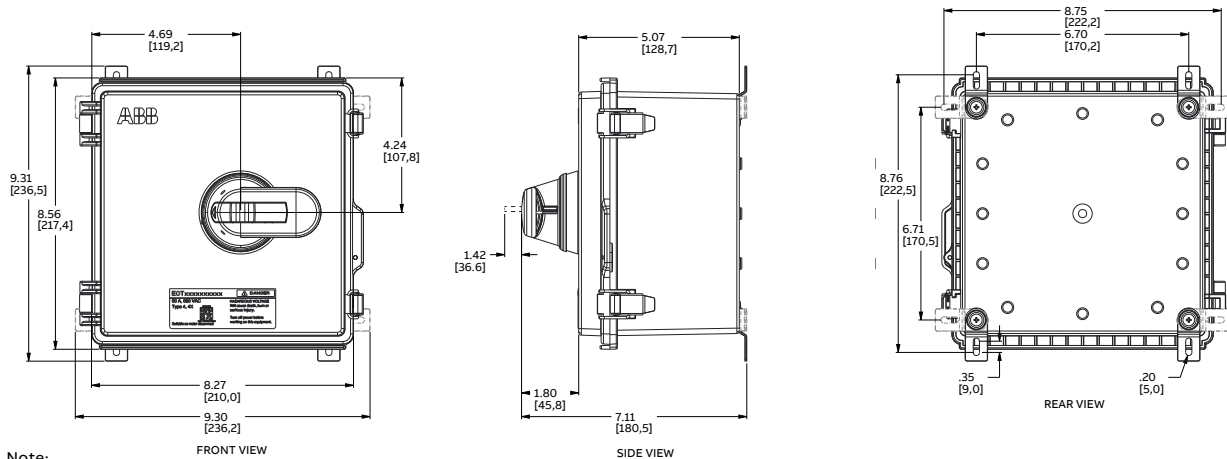
## NEMA 4/4X stainless steel enclosure



EOS930

	OH - SELECTOR	OH PISTOL PLASTIC	OH PISTOL METAL
"H1"	1.34 [34.0]	1.77 [45.0]	2.01 [51.0]
"H2"	7.6 [193]	8.03 [204]	8.27 [210]
"H3"	0.75 [19.1]	1.42 [36.6]	1.42 [36.6]

## NEMA 4/4X plastic enclosure



Note:  
Only 4 mounting brackets with hardware provided separately (not installed). Able to mount on side or top

EOS930

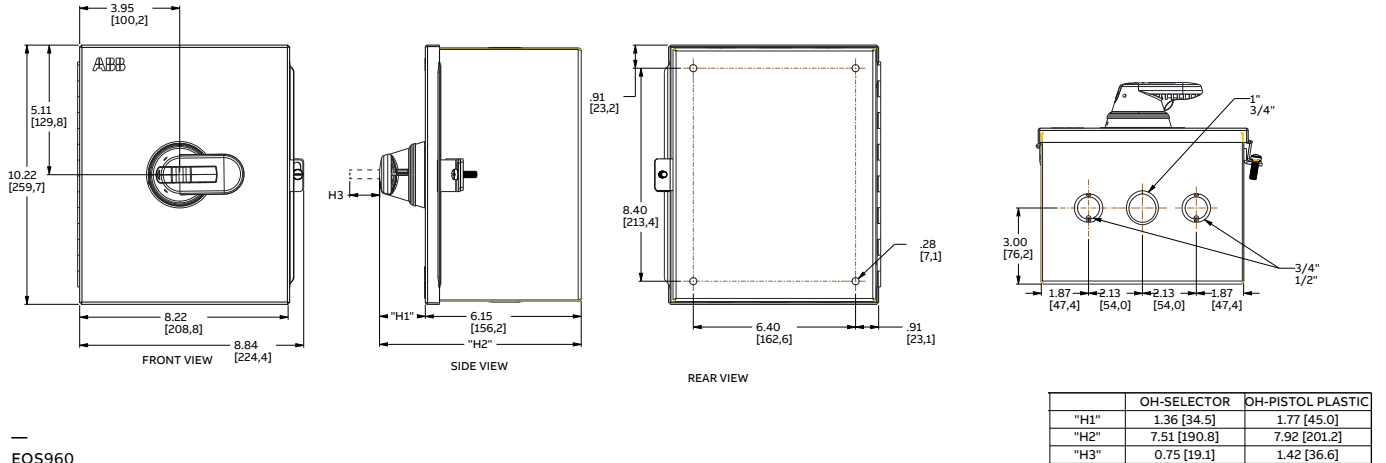
Dimensions inches (mm)

**ABB is distributed by Gross Automation!**  
+1(262)252-1600 or sales@grossautomation.com

# Enclosed Rotary Switches EOS960

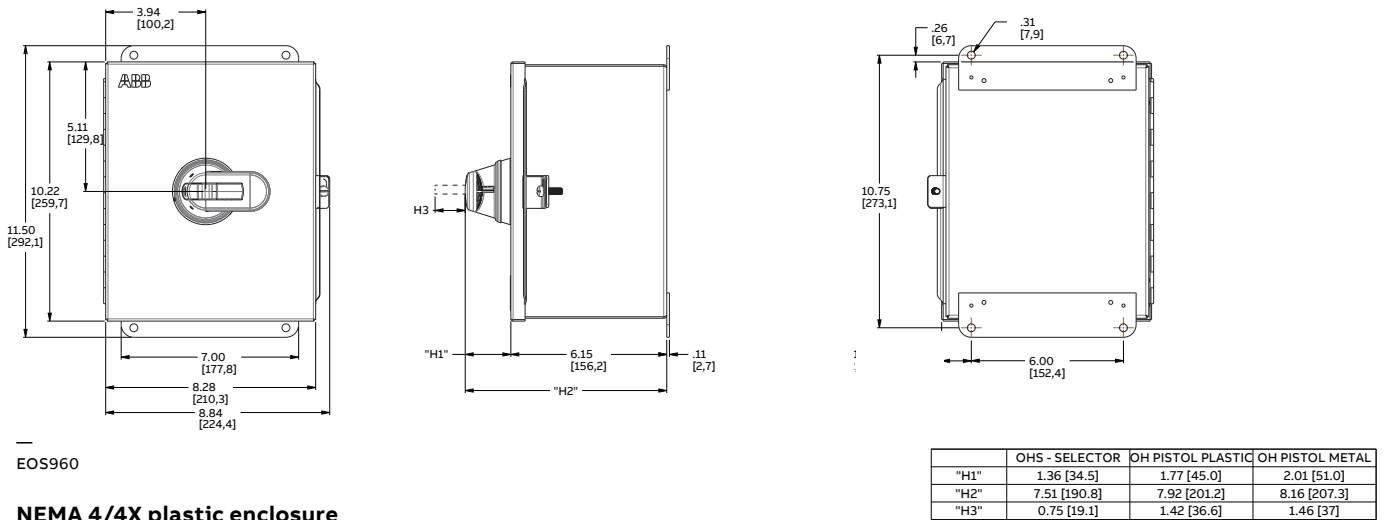
3-pole UL 98, fused  
Dimensions

## NEMA 1 metal enclosure



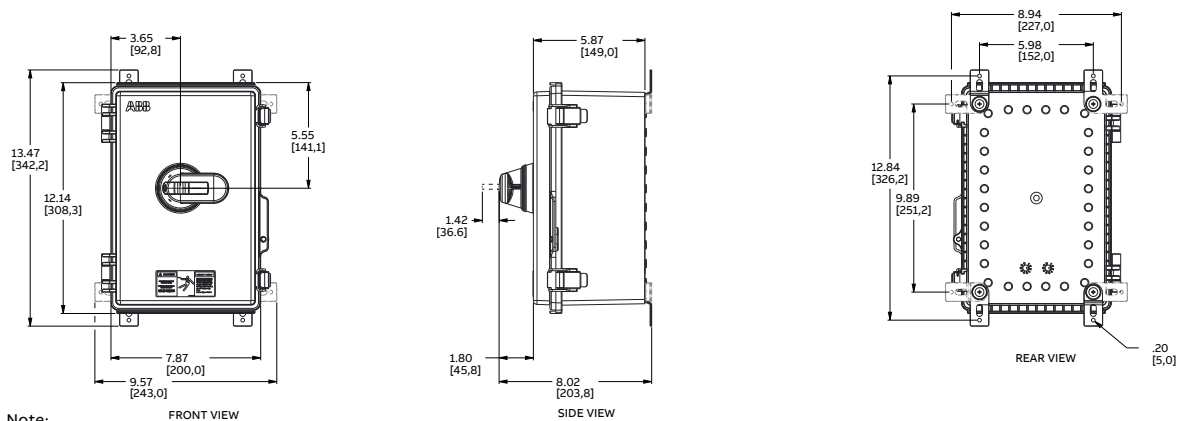
EOS960

## NEMA 3R/12 metal enclosure NEMA 4/4X stainless steel enclosure



EOS960

## NEMA 4/4X plastic enclosure



Note:  
Only 4 mounting brackets with hardware provided separately (not installed). Able to mount on side or top

EOS960

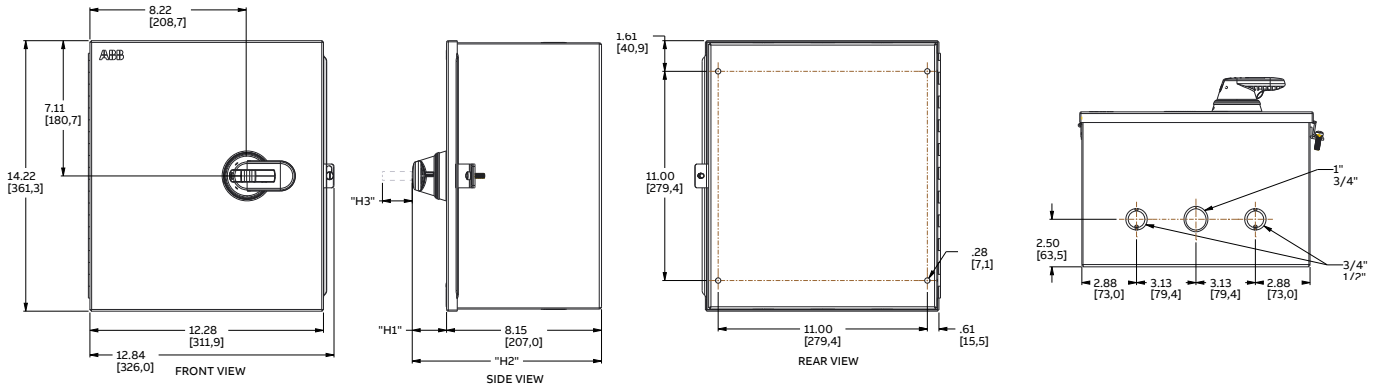
Dimensions inches (mm)

ABB is distributed by Gross Automation!  
+1(262)252-1600 or sales@grossautomation.com

# Enclosed Rotary Switches EOS9100

3-pole UL 98, fused  
Dimensions

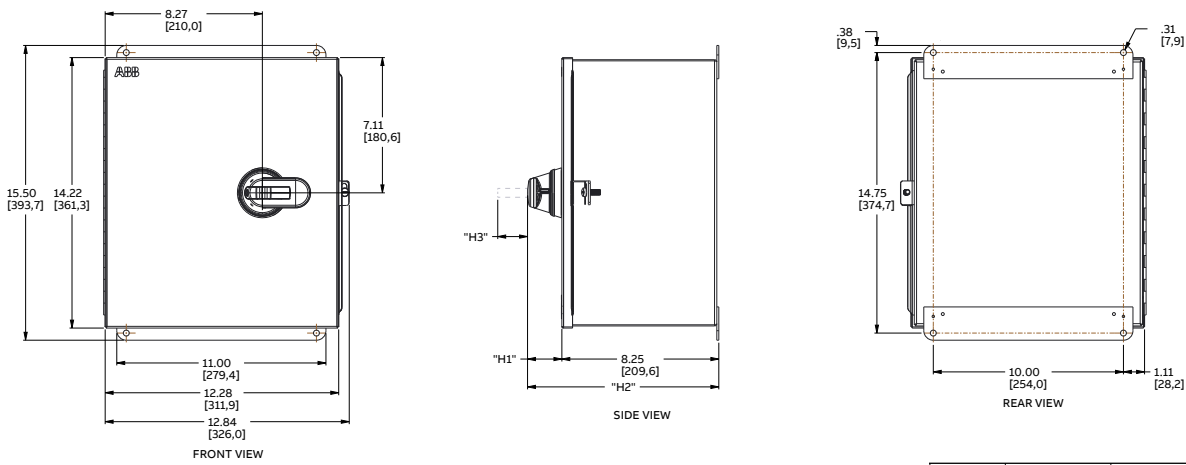
## NEMA 1 metal enclosure



EOS9100

	OH - SELECTOR	OH - PISTOL PLASTIC
"H1"	1.34 [34.0]	1.77 [45.0]
"H2"	9.49 [241.0]	9.92 [252]
"H3"	0.75 [19.1]	1.42 [36.6]

## NEMA 3R/12 metal enclosure NEMA 4/4X stainless steel enclosure



EOS9100

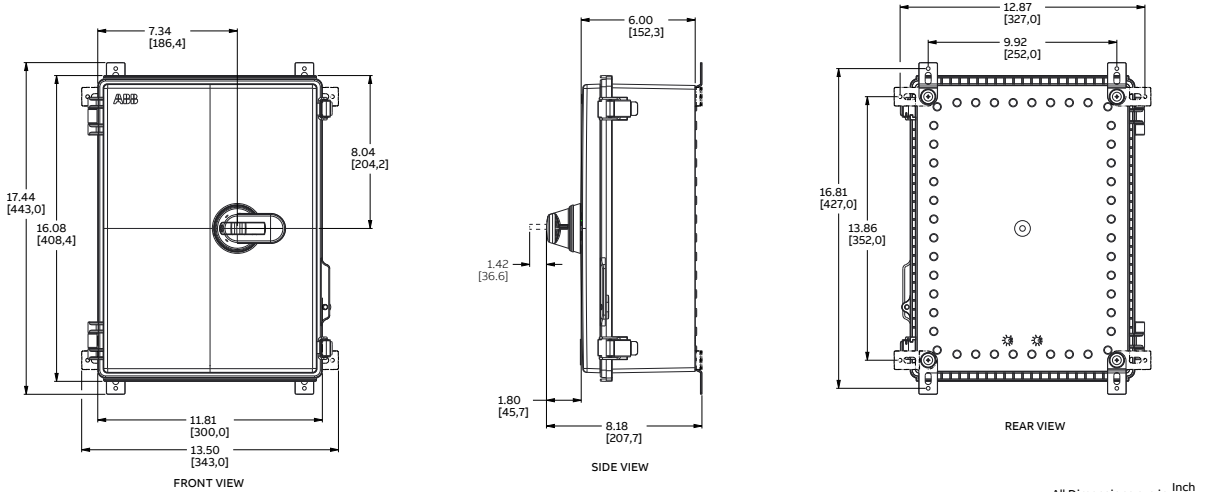
	OH - SELECTOR	OH-PISTOL PLASTIC	OH-PISTOL METAL
"H1"	1.34 [34.0]	1.77 [45.0]	2.01 [51.0]
"H2"	9.59 [243.5]	10.0 [254.5]	10.26 [260.5]
"H3"	0.75 [19.1]	1.42 [36.6]	1.42 [36.6]

# Enclosed Rotary Switches EOS9100

3-pole UL 98, fused

Dimensions

## NEMA 4/4X plastic enclosure



All Dimensions are in Inch [mm]

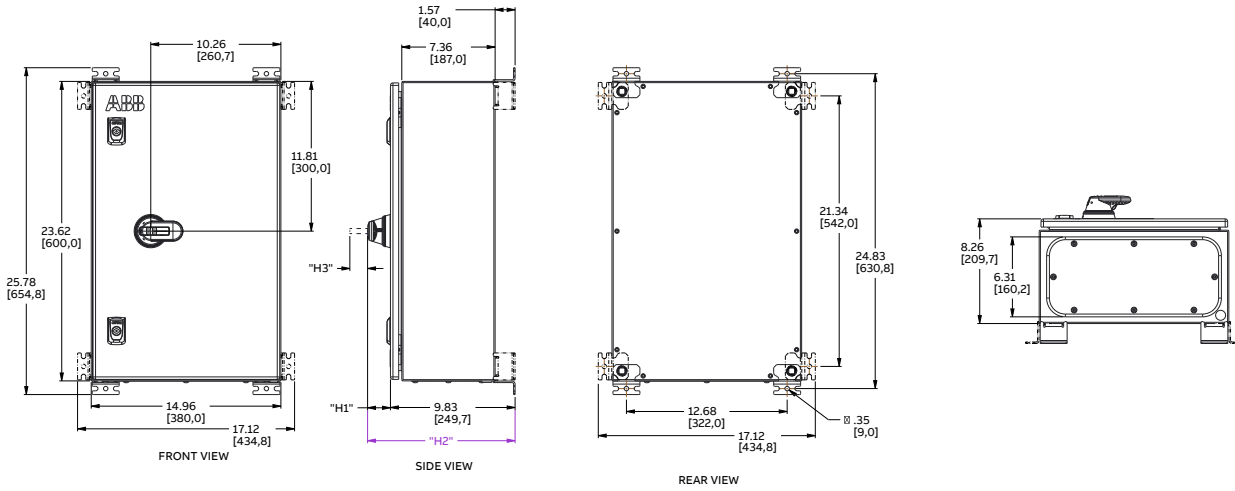
Note:  
Only 4 mounting brackets with hardware provided separately (not installed). Able to mount on side or top

EOS9100

# Enclosed Rotary Switches EOS9200

3-pole UL 98, fused  
Dimensions

**NEMA 1 metal enclosure**  
**NEMA 3R/12 metal enclosure**

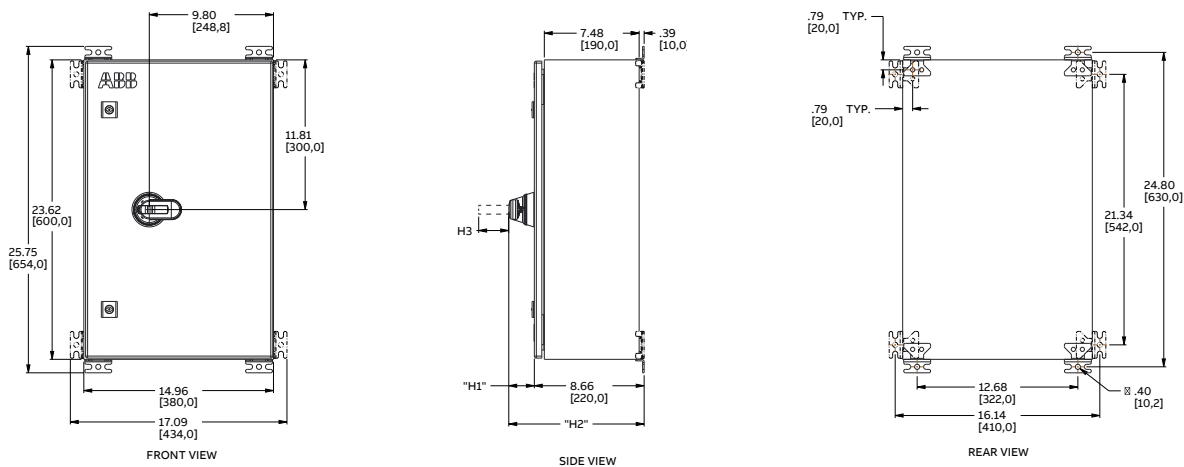


Note:  
Only 4 mounting brackets with hardware provided separately (not installed). Able to mount on side or top

	OH PISTOL PLASTIC	OH PISTOL METAL
"H1"	1.77 [45.0]	2.01 [51.0]
"H2"	11.61 [295]	11.85 [301]
"H3"	0.75 [19.1]	1.42 [36.6]

EOS9200

## NEMA 4/4X stainless steel enclosure



Note:  
Only 4 mounting brackets with hardware provided separately (not installed). Able to mount on side or top

	OH PISTOL PLASTIC	OH PISTOL METAL
"H1"	1.77 [45.0]	2.01 [51.0]
"H2"	10.43 [265]	10.67 [271]
"H3"	1.42 [36.6]	1.46 [37]

EOS9200

Dimensions inches (mm)

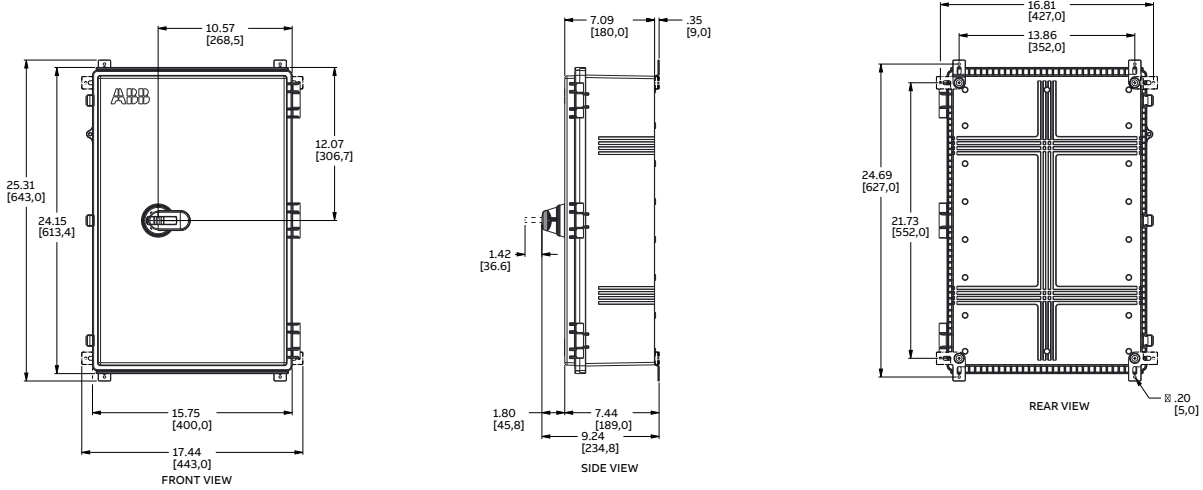
**ABB is distributed by Gross Automation!**  
**+1(262)252-1600 or sales@grossautomation.com**

# Enclosed Rotary Switches EOS9200

3-pole UL 98, fused

Dimensions

## NEMA 4/4X plastic enclosure



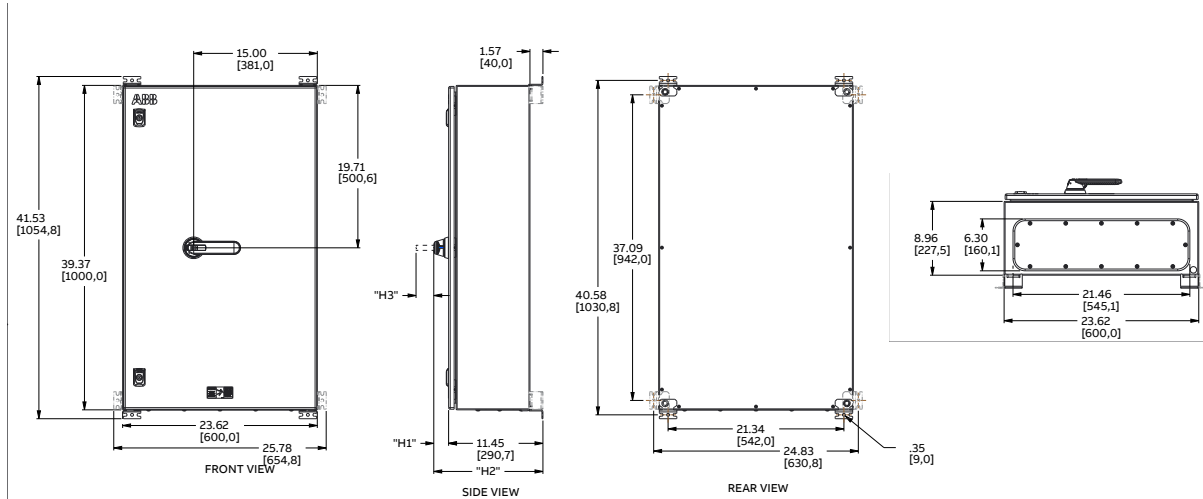
**Note:**  
Only 4 mounting brackets with hardware provided separately (not installed). Able to mount on side or top

EOS9200

# Enclosed Rotary Switches EOS9400

3-pole UL 98, fused  
Dimensions

NEMA 1 metal enclosure  
NEMA 3R/12 metal enclosure

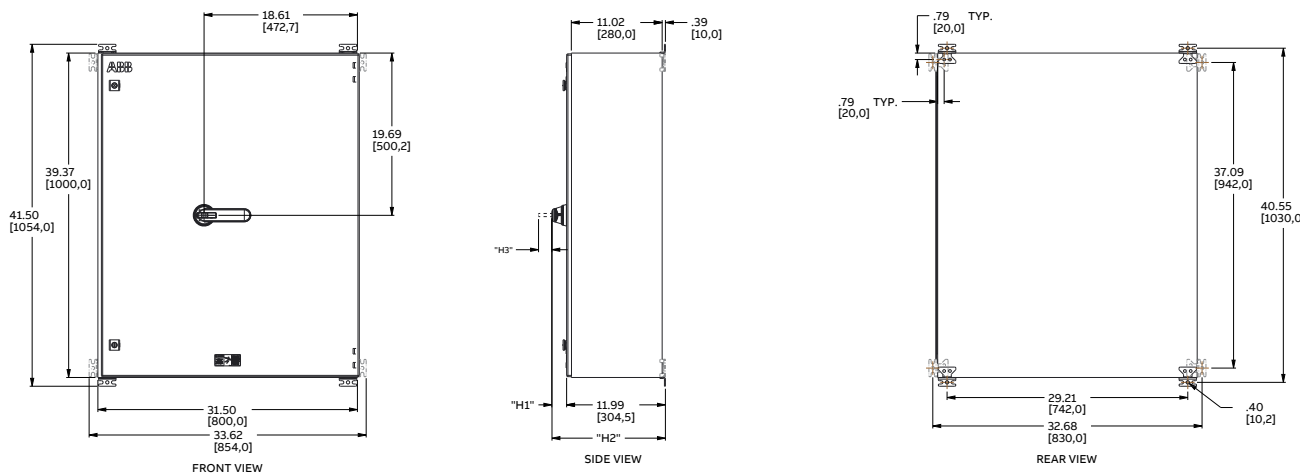


Note:  
Only 4 mounting brackets with hardware provided separately (not installed). Able to mount on side or top

	OH PISTOL PLASTIC	OH PISTOL METAL
"H1"	1.77 [45.0]	2.01 [51.0]
"H2"	13.22 [335.8]	13.46 [341.9]
"H3"	0.75 [19.1]	1.42 [36.6]

EOS9400

# NEMA 4/4X stainless steel enclosure



Note:  
Only 4 mounting brackets with hardware provided separately (not installed). Able to mount on side or top

	OH-PISTOL PLASTIC	OH-PISTOL METAL
"H1"	1.77 [45.0]	2.01 [51.0]
"H2"	13.76 [349.5]	14 [355.6]
"H3"	0.75 [19.1]	1.42 [36.6]

EOS9400

Dimensions inches (mm)

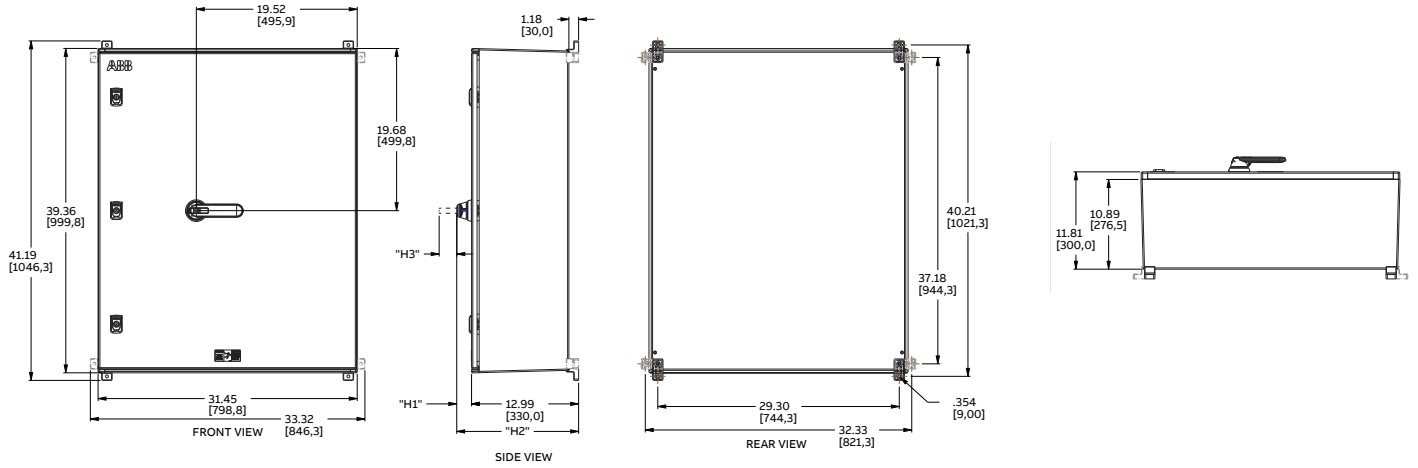
ABB is distributed by Gross Automation!  
+1(262)252-1600 or sales@grossautomation.com

# Enclosed Rotary Switches EOS9400

3-pole UL 98, fused

Dimensions

## NEMA 4/4X plastic enclosure



**Note:**  
Only 4 mounting brackets with hardware provided separately (not installed). Able to mount on side or top

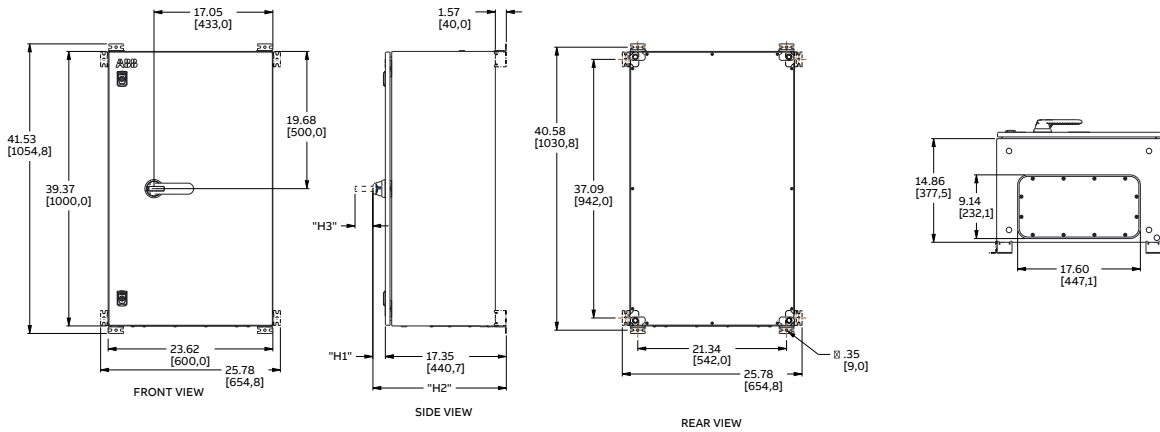
	OH PISTOL PLASTIC
"H1"	1.77 [45.0]
"H2"	14.76 [374.9]
"H3"	1.42 [36.6]

EOS9400

# Enclosed Rotary Switches EOS9600

3-pole UL 98, fused  
Dimensions

**NEMA 1 metal enclosure**  
**NEMA 3R/12 metal enclosure**

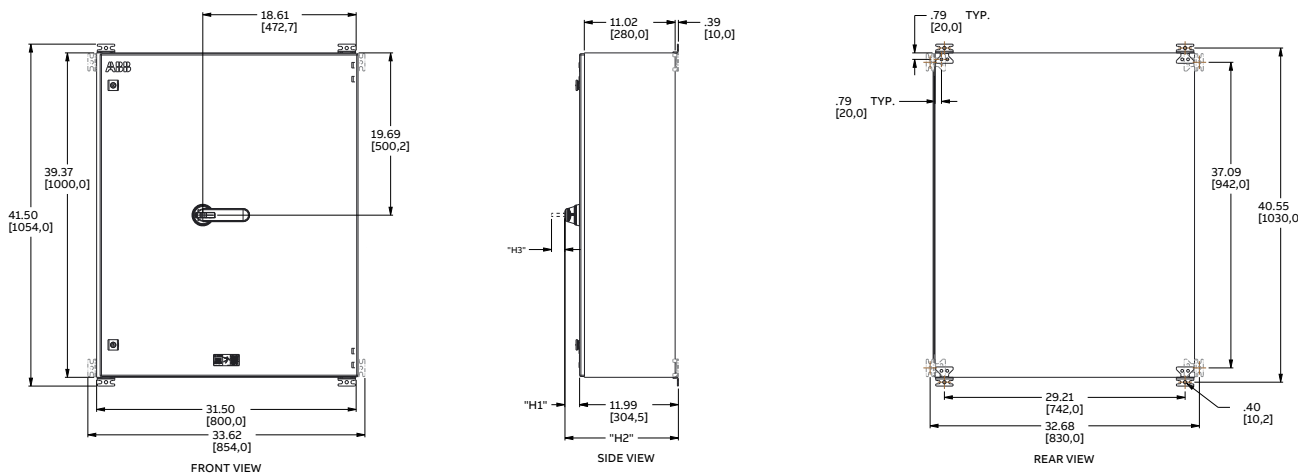


**Note:**  
Only 4 mounting brackets with hardware provided separately (not installed). Able to mount on side or top

	OH PISTOL PLASTIC	OH PISTOL METAL
"H1"	1.77 [45.0]	2.01 [51.0]
"H2"	19.12 [485.6]	19.36 [491.7]
"H3"	1.42 [36.6]	1.42 [36.6]

EOS9600

## NEMA 4/4X stainless steel enclosure



**Note:**  
Only 4 mounting brackets with hardware provided separately (not installed). Able to mount on side or top

	OH-PISTOL PLASTIC	OH-PISTOL METAL
"H1"	1.77 [45.0]	2.01 [51.0]
"H2"	13.76 [349.5]	14 [355.6]
"H3"	0.75 [19.1]	1.42 [36.6]

EOS9600

Dimensions inches (mm)

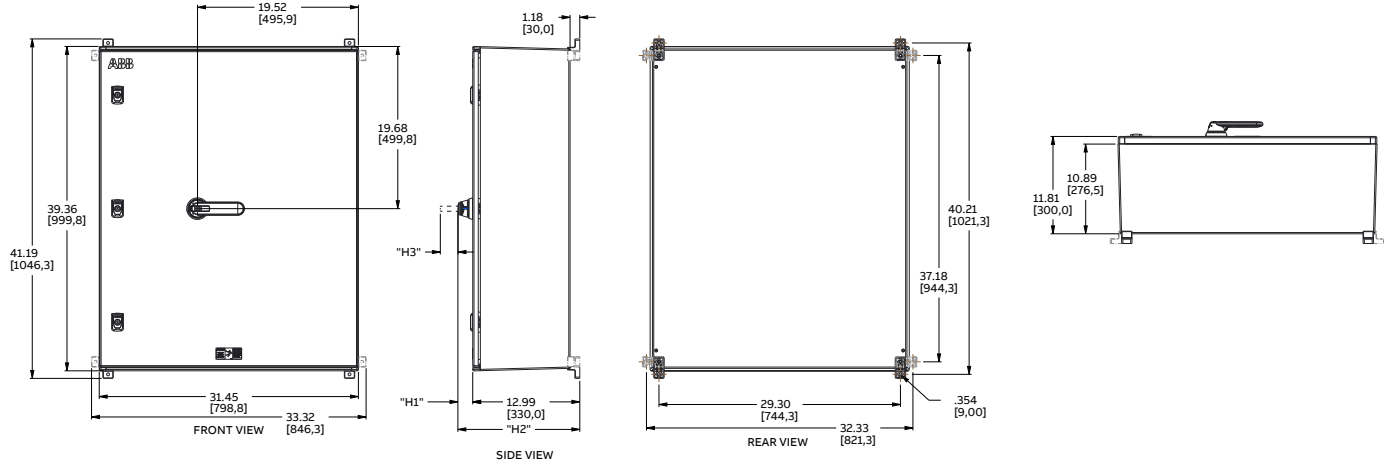
**ABB is distributed by Gross Automation!**  
**+1(262)252-1600 or sales@grossautomation.com**

# Enclosed Rotary Switches EOS9600

3-pole UL 98, fused

Dimensions

NEMA 4/4X plastic enclosure



**Note:**  
Only 4 mounting brackets with hardware provided separately (not installed). Able to mount on side or top

	OH PISTOL PLASTIC
"H1"	1.77 [45.0]
"H2"	14.76 [374.9]
"H3"	1.42 [36.6]

EOS9600

ABB is distributed by Gross Automation!  
+1(262)252-1600 or [sales@grossautomation.com](mailto:sales@grossautomation.com)

**Additional information**

We reserve the right to make technical changes or modify the contents of this document without prior notice. With regard to purchase orders, the agreed particulars shall prevail. ABB Inc. does not accept any responsibility whatsoever for potential errors or possible lack of information in this document.

We reserve all rights in this document and in the subject matter and illustrations contained therein. Any reproduction, disclosure to third parties or utilization of its contents – in whole or in parts – is forbidden without prior written consent of ABB Inc.

**ABB is distributed by Gross Automation!**  
**+1(262)252-1600 or [sales@grossautomation.com](mailto:sales@grossautomation.com)**

ABB is distributed by Gross Automation!  
+1(262)252-1600 or [sales@grossautomation.com](mailto:sales@grossautomation.com)



ABB is distributed by Gross Automation!  
+1(262)252-1600 or [sales@grossautomation.com](mailto:sales@grossautomation.com)

**ABB Inc.**

305 Gregson Drive  
Cary, NC 27511  
USA

[electrification.us.abb.com](http://electrification.us.abb.com)

