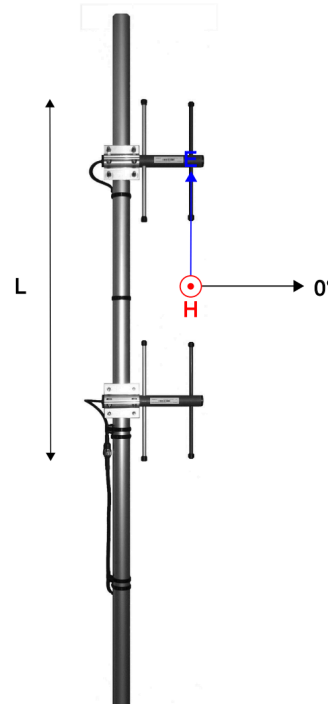


Applying an innovative approach to antenna technology that is reflected in a modular and flexible construction philosophy, ComAnt® antennas and applications result in unique and reliable designs. CompleTech's modularity principle makes it easy to use the very same ComAnt® components to adapt to the ever-changing needs of the client. ComAnt® accessories cover different coaxial cables, connectors and adaptors, ready-made feed lines and jumper cables, lightning protectors, grounding accessories, and mechanical beam tilting and mounting.

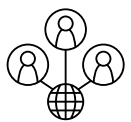
## Products:

- Antennas
  - Omnidirectional
  - Offset pattern
  - Directional
- Dipoles & arrays
- Yagies & arrays
- Cross-polarized yagies
- Omnidirectionals
- Portables
- Reflectors
- Lightning protectors
- Power splitters
- Cables & connectors
- Accessories

## Directional Stacked Yagi Array



## Industries:



Communication



Electric Mobility



Energy



Military



Oil & Gas



Water & Wastewater

Contact Gross Automation to find the ideal solutions for your unique needs and applications. We supply the engineering expertise and product knowledge customers have relied on since 1990.