



emergency-stops with illuminated
status indication active/inactive

8-9-0

clear status indication
increased safety
easy handling

Contents

>> 01	Emergency-stop with status indication active (illuminated) / inactive (non-illuminated) and diagnostic unit	page 04 - 05
>> 02	Emergency-stop with status indication active (illuminated) / inactive (non-illuminated) for panel cut-out Ø 22.3 mm	page 06 - 07
>> 03	Emergency-stop with status indication active (illuminated) / inactive (non-illuminated) for panel cut-out Ø 16.2 mm	page 06 - 08

For detailed information, please refer to www.schlegel.biz and our product catalogue

Emergency-Stops Active/Inactive

made in germany



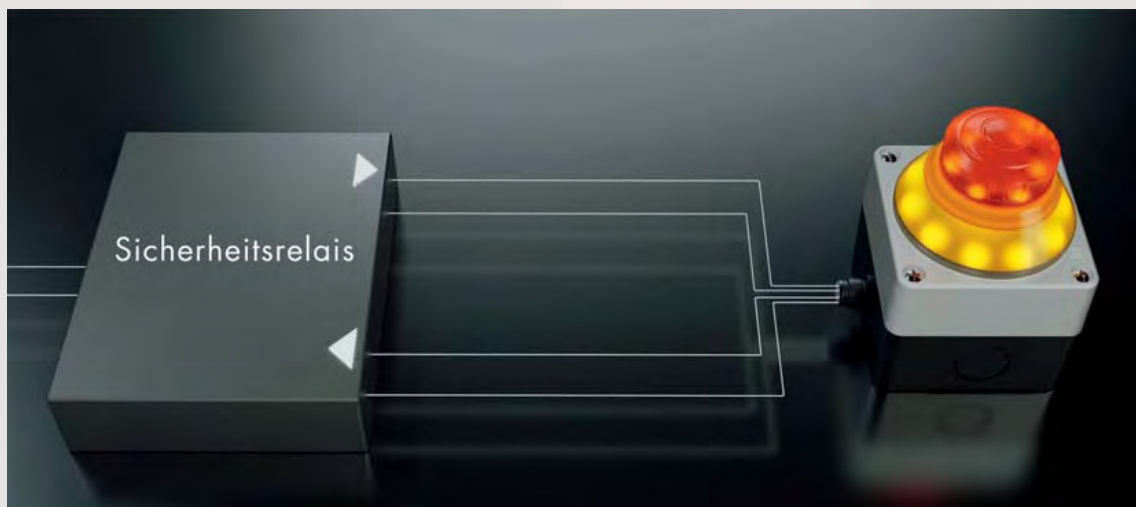
Emergency-Stops With Illuminated Status Indication Active/Inactive

The functional principle: If the plant part equipped with the fix mounted emergency-stop – for example as a module of a production line – is in operation, the actuator is active and signals its readiness for operation by a red illumination. If the module is disconnected from the production line, the emergency-stop is inactive, is no longer illuminated and remains grey. Thus, in case of emergency an inadvertent operation of the inactive emergency-stop is being significantly reduced, as it is no longer identified as emergency-stop. The Schlegel active/inactive emergency-stops fulfil the requirements of the standard DIN EN ISO 13850:2015.

Active illuminated emergency-stops, like e.g. SIL_QRBDUVOOM125 are additionally equipped with an integrated diagnostic unit. It steadily monitors the illumination status and thus ensures the perceptibility of an active emergency-stop. If there is a total or only partial failure of the illumination the emergency-stop signal is activated automatically and the installation is put into the safe status.

The active illuminated emergency-stop buttons are available for the following panel cut-outs:

- Ø 16.2 mm
- Ø 22.3 mm
- plug & play solution in an enclosure with mounting plate and M12 connector for a quick and easy installation



Functional principle of SIL_QRBDUVOOM125 with diagnostic unit



Quick perceptibility in active condition

... what is it for?

According to the previous valid standard DIN EN ISO 13850:2015 an inactive emergency-stop had to be covered in order to avoid any mix-up in case of emergency. In practice, however, this is not always easily feasible or, at the worst, even is ignored. An erroneous operation of the inactive emergency-stop could then have catastrophic results.

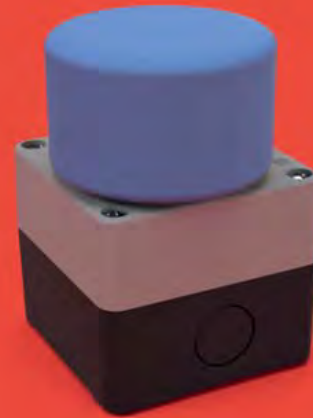
- a mix-up of active and inactive emergency-stops can be excluded
- inactive emergency-stops must no longer be covered or locked away
- very good visibility, even in case of poor light conditions

**conventional
emergency-stops**

Installation in operation



Installation out of operation



**emergency-stops with
illuminated
status indication
active/inactive**



Emergency stops

Emergency-Stops Active/Inactive

made in germany



Active illuminated emergency-stop with status indication active (illuminated) / inactive (non-illuminated) with diagnostic unit

- integrated diagnostic unit to monitor the illumination
- reliable through redundancy
- quick and easy to install (opening of the housing is not necessary)
- plug & play



Emergency-Stop Head

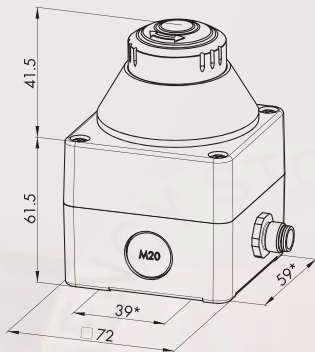
Illustration

Dimensions

Description

Type

IP65



Active Illuminated Emergency-Stop with status indication on active (illuminated) / inactive (non-illuminated) with diagnostic unit

- red illuminated emergency-stop acc. to EN ISO 13850:2015
- the emergency-stop is only illuminated in active status, in inactive status it is non-illuminated and cannot be identified as emergency-stop (grey), the emergency-stop function is deactivated in the inactive status
- the integrated diagnostic unit monitors the status of the illumination permanently
- in case of a complete or only partial failure of the illumination the emergency-stop signal is activated immediately
- anti-lock collar yellow illuminated, continuously flashing when operated until it is released
- useable on different evaluation units
- M12 connection and mounting plate for a quick installation (plug & play)
- 2 NC

Possible applications, e.g.:

- modular production plants

Foolproof	Yes
Switching position indicator	No
Anti-lock collar	Yes
Release	twist right or left
Standard	EN 60204-1, EN ISO 13849-1, EN ISO 13850, EN 60947-5-5

mushroom head
front bezel

red/grey
yellow/grey



SIL_QRBDUV00M125

Emergency-Stops Active/Inactive

made in germany

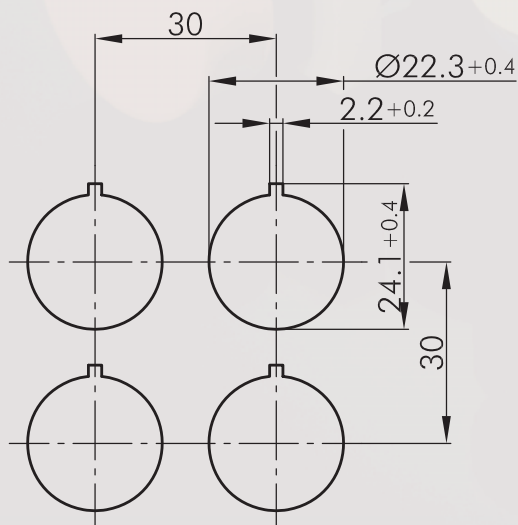


Active illuminated safety emergency-stop with status indication active/inactive

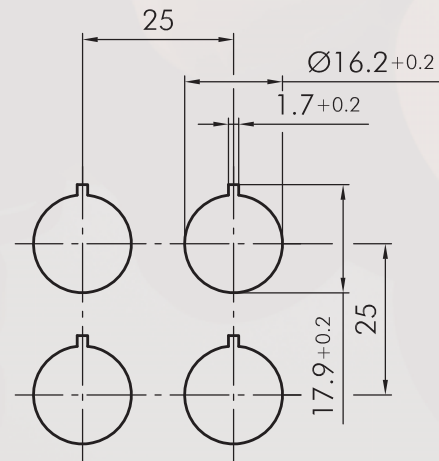
- compact dimensions
- less mounting depth
- for mounting diameter 16.2 mm and 22.3 mm
- suitable for handheld terminals



FRVKDOO_R0



YVDOO_R0



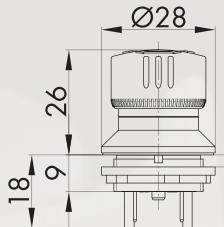
Emergency-Stop Head

Illustration

Dimensions

Description

Type



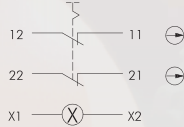
Active Illuminated Emergency-Stop with status indication active (illuminated) / inactive (non-illuminated)

- red illuminated emergency-stop (active) acc. to EN ISO 13850:2015
- LED with 0-ohm resistor
- delivery without external LED monitoring
- less mounting depth
- 2 NC

Possible applications, e.g.:

- pluggable or wireless operator stations
- pluggable system components which are stationary available but only temporarily in operation

Foolproof	Yes
Switching position indicator	Yes
Anti-lock collar	No
Release	twist right or left
Standard	ISO 13850:2015(E), EN ISO 13850:2015(D), DIN EN ISO 13850:2016-05
Connection type	Faston terminals 2.8x0.8 mm



mushroom head
front bezel

red/grey
yellow



FRVKDOO_RO

Emergency-Stops Active/Inactive

made in germany



Emergency-Stop Head

Illustration	Dimensions	Description	Type										
		<p>Active Illuminated Emergency-Stop with status indication active (illuminated) / inactive (non-illuminated)</p> <ul style="list-style-type: none"> → red illuminated emergency-stop (active) acc. to EN ISO 13850:2015 → LED with 0-ohm resistor → delivery without external LED monitoring → less mounting depth → 2 NC <p>Possible applications, e.g.:</p> <ul style="list-style-type: none"> → pluggable or wireless operator stations → pluggable system components which are stationary available but only temporarily in operation <table border="0"> <tr> <td>Foolproof</td> <td>Yes</td> </tr> <tr> <td>Switching position indicator</td> <td>Yes</td> </tr> <tr> <td>Anti-lock collar</td> <td>No</td> </tr> <tr> <td>Release</td> <td>twist right or left</td> </tr> <tr> <td>Standard</td> <td>ISO 13850:2015(E), EN ISO 13850:2015(D), DIN EN ISO 13850:2015(D)</td> </tr> </table> <p>Connection type</p> <p>Faston terminals 2.8 mm x 0.5 mm</p>	Foolproof	Yes	Switching position indicator	Yes	Anti-lock collar	No	Release	twist right or left	Standard	ISO 13850:2015(E), EN ISO 13850:2015(D), DIN EN ISO 13850:2015(D)	YVDOO_R0
Foolproof	Yes												
Switching position indicator	Yes												
Anti-lock collar	No												
Release	twist right or left												
Standard	ISO 13850:2015(E), EN ISO 13850:2015(D), DIN EN ISO 13850:2015(D)												
mushroom head front bezel	red/grey yellow												



Georg Schlegel GmbH & Co. KG
Kapellenweg 4
88525 Dürmentingen / Germany

Tel.: **+49 (0)7371 / 502-0**
Fax: **+49 (0)7371 / 502 49**
E-Mail: **info@schlegel.biz**
www.schlegel.biz



Subsidiaries:

Schlegel Elektrokontakt GmbH
Schönbachstr. 93
04299 Leipzig / **Germany**

Tel.: +49 (0)341 / 8 68 72-0
Fax: +49 (0)341 / 8 68 72 43
E-Mail: leipzig@schlegel.biz
www.schlegel.biz

Georg Schlegel Vertriebs Ges.mbH
Samuel Morse-Straße 7
2700 Wiener Neustadt / **Austria**

Tel.: +43 (0)2622 / 81313
Fax: +43 (0)2622 / 81313-19
E-Mail: schlegel@schlegel.at
www.schlegel.at